

KENWOOD

WSCA 06913

This searchable pdf document contains all Kenwood radio equipment offered through WSCA contract number 06913. The prices shown are Manufacturers Suggested Retail Price (MSRP) and the discount off the shown price is 30%.

[Tier I, Single Band, Portable Radios And Accessories](#)

[Tier II & III, Single Band, Mobile And Portable Radios And Accessories](#)

[Tier II, Single Band, Desktop Radios and Accessories](#)

Contract Discount Is 30% Off Shown MSRP
Services; Per Hour Cost

Equipment configuration and System Design \$150.00

Technical Support Services \$150.00

Equipment Installation \$115.00

Equipment Repair \$115.00

Training \$115.00



Table of Contents:

Portables

[NX-5200 / 5300](#)

[NX-5400](#)

[TK-5210G / 5310G](#)

[TK-5410](#)

[TK-5410D](#)

[TK-5220 / 5320](#)

Mobiles

[NX-5700 / 5800](#)

[TK-5710G / 5810G](#)

[TK-5720 / 5820](#)

[TK-5910](#)

NEXEDGE™



NX-5200/5300

Table of Contents

VHF/UHF Digital & FM Analog Portable Radios



<Standard Key Model > <Full Key Model >

All NX-5000 series portables include:

- Belt Clip (KBH-11)
- Universal Connector Cap
- User Guide
- Premium Warranty: 3 Years**

All Accessories / options: 1 Year

Purchase Battery, Charger, Antenna separately

** **Note:** To maintain immersion specs (IP67/68), all warranty service must be done by one of the three National Kenwood Authorized Service Centers. IP67/68 Certification is valid under the 3 year premium warranty. No re-certification is available.

Because of spurious signal (birdie), the following frequencies (and ±10kHz ranges) are not allowed;

- 144.0000 • 384.0000 • 460.8000
- 147.4560 • 403.2000 • 480.0000
- 153.6000 • 422.4000 • 499.2000
- 172.0325 • 432.0000 • 518.4000
- 172.8000 • 441.6000

STANDARD

■ GENERAL FEATURES

- 5 W (136-174 MHz) Models
- 5 W (380-470, 450-520 MHz) Models
- 1024 CH-GID / 128 Zones
- Standard Key Models (w/o numeric keypad)
- Full Key Models (w/ numeric keypad)
- Full Color 1.74" (240 x 180 pixels) Transflective TFT Display
- Multi-line Text Display
- Function/Status Icons
- Multi-Language Display*
- Date & 12/24 Hour Time Clock
- Transmit/Busy/Call Alert/Warn LED
- On/Off Volume Knob
- 16-Position Mechanical Selector (w/ a stopper)
- 4-way Directional-pad (D-pad)
- 2 Position Lever Switch
- Emergency/AUX Key
- 3 Side PF Keys
- 1W Speaker Audio
- Emergency Call Features
- Built-in GPS Receiver / Antenna
- Built-in Bluetooth® Module for hands-free operation
- Built-in Motion Sensor
- Built-in 56-bit DES Encryption *
- Active Noise Reduction (ANR)
- KPG-D1N Windows® FPU
- Flash Firmware Upgrading
- MIL-STD-810 C/D/E/F/G
- IP67/68 Immersion

■ DIGITAL-NXDN® MODE

- NXDN® Conventional / TYPE-C Trunking
- AMBE+2™ VOCODER
- 6.25 & 12.5 kHz Channels
- Over-the-Air Alias
- Over-the-Air Programming (requires KPG-180AP OTAP Manager Software)*
- Paging Call *
- Emergency Call
- All Group Call
- Status Messaging
- Remote Stun/Kill/Check
- Short & Long Data Messages
- GPS Location
- NXDN® Scrambler

■ ANALOG MODE

- Conventional Zones
- LTR® Zones *
- FleetSync®/II*: PTT ID ANI, Caller ID Display, Selective/Group Call, Emergency Status, Text Messages
- MDC-1200*: PTT ID ANI, Caller ID Display, Emergency, Radio Check & Inhibit
- QT / DQT
- Two-Tone* (Conventional Zones Only)
- DTMF*
- Built-in Voice Inversion Scrambler

* Future Availability

OPTIONAL

■ GENERAL FEATURES

- 4000 CH-GID / 128 Zones (KWD-5000CH License Key Activation required)
- Front Panel Programming (KWD-5001FP License Key Activation required)
- microSD/microSDHC Memory Card Slot (KWD-5002SD License Key Activation required)
- Built-in Bluetooth® Module for Data (KWD-5003BT** License Key Activation required)
- 256-bit AES Encryption (KWD-AE30K/31K Encryption Module required)
- Battery Management Solution (KSC-Y32K Charger & KAS-12K Software License Key required)

■ DIGITAL - P25 MODE

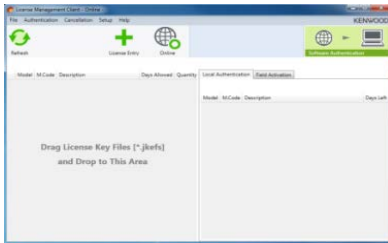
- Conventional Features (KWD-5100CV License Key Activation required)
- Phase 1 Trunking Features (KWD-5100CV & 5101TR License Keys Activation required)
- Phase 2 Trunking Features (KWD-5100CV & 5101TR & 5102TR License Keys Activation required)
- Conventional OTAR (KWD-5103RK License Key Activation required)
- Trunking OTAR (KWD-5103RK & 5106DT License Keys Activation required)
- Conventional Voting Scan (KWD-5105VT** License Key Activation required)
- Packet Data required for Trunked OTAR/GPS/Text (KWD-5106DT License Keys Activation required)

** Future Availability

| RADIO | | | LIST |
|----------------------------|-----------------------------|-------------------------------------|-----------|
| Standard Key Models | | | |
| NX-5200K2 | VHF (136-174MHz), 5.0 Watts | NXDN Conventional / TYPE-C Trunking | \$ 825.00 |
| NX-5300K2 | UHF (450-520MHz), 5.0 Watts | NXDN Conventional / TYPE-C Trunking | \$ 825.00 |
| NX-5300K5 | UHF (380-470MHz), 5.0 Watts | NXDN Conventional / TYPE-C Trunking | \$ 825.00 |
| Full Key Models | | | |
| NX-5200K3 | VHF (136-174MHz), 5.0 Watts | NXDN Conventional / TYPE-C Trunking | \$ 875.00 |
| NX-5300K3 | UHF (450-520MHz), 5.0 Watts | NXDN Conventional / TYPE-C Trunking | \$ 875.00 |
| NX-5300K6 | UHF (380-470MHz), 5.0 Watts | NXDN Conventional / TYPE-C Trunking | \$ 875.00 |

LICENSING SYSTEM

LIST



**KPT-300LMC
 License Management Client**

KPT-300LMC is a required software package that is used to authenticate **software** (FPU) and **radio feature license** keys for the NX-5000 Series radios.

KPT-300LMC is available as a free download from Kenwood Tools and is also supplied with applicable software, such as KPG-D1NK, KAS-12, and KPG-AE1/DE1.

NOTE: A license key is required for the KPT-300LMC to authenticate the software prior to use. To receive a license key, complete the enclosed "**Account Request Form**" and return to the Land Mobile Order Desk.

Note: KPT-300LMC is compatible with Windows Vista/7/8/8.1 Only. Windows XP is not supported.

License Keys will be E-Mailed to the address provided on the Account Request Form.

| | | |
|------------|---------------------------|----|
| KPT-300LMC | License Management Client | NC |
| L-5000 | KPT-300LMC License Key | NC |

SOFTWARE LICENSE OPTIONS

TO PLACE AN ORDER FOR SOFTWARE (FPU):

1. Complete the attached KPG-D1NK Software License Key Request Form.
2. Submit along with your PO to the Land Mobile Order Desk via:
 - a) E-Mail: lmrorderdesk@us.jvckenwood.com
 - b) Fax: (310) 761-8246
3. License Keys will be E-mailed to the address provided on the order form. A hard copy will follow by mail for your records.

* A unique license key is required for each PC with KPG-D1NK installed. A single license key will not authorize multiple PCs.

| | | |
|----------|--|-----------|
| KPG-D1NK | License Key for KPG-D1NK Programming Software for NX-5000 Portable/Mobile (Windows® Vista/7/8/8.1) Note: Requires KPT-300LMC for authentication | \$ 155.00 |
|----------|--|-----------|

P25 Trunked Programming Capability (licensed by either 1 or 2 below):

1. KPG-D1NK with System Key File (*.SKF)- See L-5005
 - For NX-5000 series radios.
 - 3-digit HEX System ID (HSID) and verifiable written authorization required from trunked system operator (SYSOP).
 - Purchase KPG-D1NK & L-5005 System Key File
 - Kenwood ships an encrypted *.SKF file on CD ROM
 - The *.SKF securely embeds/encrypts the 16-digit Network Level License ID & the HSID.
2. KPG-D1NK with Advanced System Keys (ASK's)
 - For NX-5000 series radios.
 - SYSOPs: Refer to KWD-ASK-MK Master Key
 - Dealers/contractors: Refer to KWD-ASK-AK Access Key
 - KPG-D1NK supports up to 16 KWD-ASK-AK Access Keys (16 trunked networks).

| | | |
|---------|--|----------|
| KAS-12K | License Key for KAS-12 Battery Reader Software for KNBL1/2/3/ & KSC-Y32 (Windows® Vista/7/8/8.1) Note: Requires KPT-300LMC for authentication | \$ 85.00 |
|---------|--|----------|

Software License Key Discount Structure

| | |
|---------------------|---------|
| 1 License Key | --- |
| 2~4 License Keys | 10% OFF |
| 5 ~ 14 License Keys | 35% OFF |
| 15~24 License Keys | 40% OFF |
| 25+ License Keys | 45% OFF |

RADIO FEATURE LICENSE OPTIONS

PCs registered under the same KPT-300LMC Account Registration Key (License Key) will be able to authentic Radio Features that can then be viewed / shared / managed by all registered users for the account.

*** TO PLACE AN ORDER FOR RADIO FEATURE LICENSES:**

1. Complete the attached Radio Feature Request Form.
2. Submit the completed form along with your PO to the Land Mobile Order Desk via:
 - a) E-Mail: lmrorderdesk@us.jvckenwood.com
 - b) Fax: (310) 761-8246
3. License Keys will be E-mailed to the address provided on the request form. A hard copy will follow by mail for your records.

Note: Radio Feature License Keys are not transferable from a radio to a radio. Once a Radio Feature License has been authenticated in one radio, it can not be transferred to another radio.

GENERAL RADIO FEATURES

LIST

| | | |
|------------|---|-----------|
| KWD-5000CH | License Key for 4000 CH/GID Expansion | \$ 420.00 |
| KWD-5001FP | License Key for Front Panel Programming | \$ 300.00 |
| KWD-5002SD | License Key for microSD Memory Card Slot Activation | \$ 105.00 |
| KWD-5003BT | License Key for Bluetooth Serial Port Profile [Available 2015 2Q] | \$ 35.00 |

P25 RADIO FEATURES

LIST

| | | |
|------------|---|-----------|
| KWD-5100CV | License Key for P25 Conventional | \$ 575.00 |
| KWD-5101TR | License Key for P25 Phase 1 Trunking (requires KWD-5100CV) | \$ 520.00 |
| KWD-5102TR | License Key for P25 Phase 2 Trunking (requires KWD-5100CV & KWD-5101TR) | \$ 400.00 |
| KWD-5103RK | License Key for P25 OTAR (requires KWD-5106DT for a Trunking Operation) | \$ 700.00 |
| KWD-5105VT | License Key for P25 Conventional Voting Scan [Available 2015 2Q] | \$ 120.00 |
| KWD-5106DT | License Key for P25 Packet Data (requires for Trunked OTAR/GPS/Text) | \$ 180.00 |

ANTENNAS

LIST

| | | |
|----------|---|----------|
| KRA-26M | VHF helical antenna 146-162 MHz | \$ 14.00 |
| KRA-26M2 | VHF helical antenna 162-174 MHz | \$ 14.00 |
| KRA-26M3 | VHF helical antenna 136-150 MHz | \$ 14.00 |
| KRA-27M | UHF whip antenna 440-490 MHz | \$ 14.00 |
| KRA-27M2 | UHF whip antenna 470-520 MHz | \$ 14.00 |
| KRA-27M3 | UHF whip antenna 400-450 MHz | \$ 14.00 |
| KRA-22M | VHF low-profile helical antenna 148-162 MHz | \$ 13.70 |
| KRA-22M2 | VHF low-profile helical antenna 162-174 MHz | \$ 13.70 |
| KRA-22M3 | VHF Low-profile helical antenna 136-150 MHz | \$ 13.70 |
| KRA-23M | UHF low-profile helical antenna 450-490 MHz | \$ 13.70 |
| KRA-23M2 | UHF low-profile helical antenna 470-512 MHz | \$ 13.70 |
| KRA-23M3 | UHF low-profile helical antenna 403-430 MHz | \$ 13.70 |
| KRA-25 | High gain VHF helically loaded whip antenna 148-162 MHz | \$ 34.25 |

BATTERIES AND CHARGERS

LIST

| | | |
|----------|--|-----------|
| KNB-L1M | Li-ion 2000mAh (Compact Slim) | \$ 115.00 |
| KNB-L2M | Li-ion 2600mAh (Standard) | \$ 135.00 |
| KNB-L3M | Li-ion 3400mAh (High Capacity) | \$ 175.00 |
| KSC-Y32K | Rapid rate single unit charger (Long-Life Charge Mode capable with KAS-12 Software) Note: NiMH/Li-ion battery only | \$ 115.00 |
| KAS-12K | License Key for KAS-12 (Authentication required) Battery Reader Software for KNB-L1M/L2M/L3M & KSC-Y32 (Windows® Vista/7/8/8.1) | \$ 85.00 |
| KSC-32 | Rapid rate single unit charger | \$ 70.00 |
| KSC-326K | Rapid rate 6-unit charger | \$ 630.00 |
| KMB-30M | Wall Mount Bracket for KSC-326K/256K | \$ 33.75 |
| KVC-15 | Rapid rate DC vehicular charger adapter for the KSC-32 (chargers not included; includes KSC-mobile bracket & cigarette lighter cable DC adapter) | \$ 119.00 |

| CARRYING ACCESSORIES | | LIST |
|--|---|-------------|
| KBH-11 | Spring action belt clip (2.5") | \$ 14.70 |
| KBH-8DS | Leather swivel belt loop with portable D-Ring attachment | \$ 26.30 |
| KLH-6SW | Leather swivel belt loop / detachable swivel D-Ring back | \$ 22.00 |
| KLH-137ST | Firemen's Heavy-Duty Leather Shoulder Strap for a Heavy-Duty Leather Case | \$ 36.75 |
| KLH-200K3 | Heavy duty leather carrying case for NX-5000-series (for both K2 & K3 models) | \$ 44.25 |
| KLH-201K3 | Nylon carrying case for NX-5000-series (for both K2 & K3 models) | \$ 26.30 |
| MICROPHONES & AUDIO ACCESSORIES | | LIST |
| KMC-54WDM | MIL-SPEC, IP67 (Immersion) Speaker Mic Compatible with ANR Feature Note: only compatible with a NX-5000 series portable | \$ 130.00 |
| KMC-42WDM | MIL-SPEC, IP67 (Immersion) Noise-canceling Speaker Mic | \$ 114.00 |
| KMC-49 | MIL-SPEC, Speaker Mic. with Antenna Connector Note: 5/16" Coax cable hex wrench included (antenna is not included). | \$ 250.00 |
| KEP-1 | 3.5mm earphone kit for KMC-41/42W/54W Speaker Mics | \$ 52.50 |
| KEP-2 | 2.5mm earphone kit for KMC-49 Speaker Mic | \$ 52.50 |
| KEP-3 | 30" Earphone kit w/ 2.5mm plug for KCT-30 | \$ 51.50 |
| KEP-4 | 48" Earphone kit w/ 2.5mm plug for KCT-30 | \$ 54.75 |
| KCT-30 | 2.5mm Audio Accessory Adapter for KEP-3/4 | \$ 64.00 |
| KCT-51 | Hirose 6-pin Adapter (adapts KVL/aftermarket audio acc. to portable connector) | \$ 215.00 |
| KHS-11BL | 2-wire palm mic w/earphone, universal connector (Black) | \$ 156.50 |
| KHS-12BL | 3-wire mini lapel mic w/earphone, universal connector (Black) | \$ 184.00 |
| KHS-14 | Lt. Wt. Single muff headset w/boom mic & In-line PTT | \$ 126.00 |
| KHS-15-BH | Hvy-duty noise reduction behind-the-headset w/noise cancelling boom mic & PTT | \$ 420.00 |
| KHS-15-OH | Hvy-duty noise reduction over-the-headset w/noise cancelling boom mic & PTT | \$ 368.00 |
| ENCRYPTION MODULES | | LIST |
| KWD-AE30K | AES FIPS140-2 & DES Encryption Module (Multi-Key) Order a Labor Code L-5003 if installation is required. KWD-AE30K requires: a Motorola KVL3000 Plus/4000 key loader device. KWD-AE30K is an U.S. DOC/BIS Export Controlled Item (ECCN 5A002A.1) | \$ 850.00 |
| KWD-AE31K | AES & DES Encryption Module (Multi-Key) Order a Labor Code L-5004 if installation is required. Note: Requires KPG-AE1/DE1 software key loader or Motorola KVL3000 Plus/4000 key loader device. KWD-AE31K is an U.S. DOC/BIS Export Controlled Item (ECCN 5A002A.1) | \$ 550.00 |
| KPG-AE1K | AES/DES Encryption Software Key Loader for KWD-AE31K Authentication by KPT-300LMC is required Note: KPG-AE1 is a U.S. DOC/BIS Export Controlled Item (ECCN 5D002A) | \$ 525.00 |
| KPG-DE1K | DES Encryption Software Key Loader for KWD-AE31K Authentication by KPT-300LMC is required Note: KPG-DE1 is a U.S. DOC/BIS Export Controlled Item (ECCN 5D992A.1) | \$ 368.00 |
| SERVICE RELATED ACCESSORIES | | LIST |
| KPG-36UM | USB Programming interface cable | \$ 158.50 |
| KPG-93 | KVL-3000 Plus/4000 Interface Cable for P25 Portables | \$ 262.50 |
| KPG-93AUT | KVL-4000 Radio Authentication Cable [Available in 2015 2Q] | TBD |
| KWD-ASK-AK | Access Key for KPG-D1NK P25 trunked programming Notes: • For NX-5000 series only • Must be activated by a SYSOP with KWD-ASK-MK Master Key • Must have KPG-D1NK • Battery Life: 3 years (non-serviceable; key must be replaced) | \$ 208.00 |
| KWD-ASK-MK | Master Key for activating KWD-ASK-AK Access Keys - Restricted Purchase Requirements - Notes: • For NX-5000 series only. • Sold to SYSOP or SYSOP authorized entities only • Must have KPG-D1NK • SYSOP must provide 3-digit HEX HSID & the 16-digit Network Level License ID to Kenwood. • Purchase KWD-ASK-AK Access Keys if needed. • Battery Life: 3 years (non-serviceable; key must be replaced) | \$ 500.00 |

INSTALLATION / TUNING CHARGES **LIST**

| | | |
|--------|---|-----------|
| L-5002 | NX-5200/5300/5400 Programming (with basic TX/RX check) | \$ 37.50 |
| L-5003 | Install KWD-AE30K in NX-5000 series Portable (Must purchase module separately) | \$ 75.00 |
| L-5004 | Install KWD-AE31K in NX-5000 series Portable (Must purchase module separately) | \$ 75.00 |
| L-5005 | KPG-D1NK System Key File Note: Enables P25 Trunked system programming privileges in a KPG-D1NK. - Restricted Purchase Requirements - <ul style="list-style-type: none"> • 3-Digit HEX System ID (HSID) from SYSOP required • Must Purchase KPG-D1NK with L-5005 • Kenwood ships an encrypted *.SKF file on CD ROM • Non-SYSOP entities ordering L-5005 must provide verifiable written authorization from SYSOP to receive an *.SKF file. • The 16-digit Network Level License ID & 3-digit HEX HSID are securely encrypted & embedded in the *.SKF file. | \$ 132.00 |

-- IMPORTANT NOTES regarding ENCRYPTION MODULES--

Encryption modules, key loaders and radios containing encryption are export controlled by the U.S. Department of Commerce Bureau of Industry & Security EAR regulations and may either require an Export License, are eligible for a License Exception (ENC) or are exportable with No License Required (NLR) depending on the country, the consignee and the intended use. High level encryption is a special commodity that may require an export license to most countries. See www.bis.gov for more information regarding export regulations. DO NOT SHIP encryption items outside the U.S. without proper DOC/BIS Export Licenses and/or compliances.

Kenwood may request the following information to be submitted at time of order (this information must meet Kenwood internal approvals prior to shipment even if being returned to Kenwood later:

a) Initial Destination: Initial delivery point if different from Ultimate Destination
 (customer distribution center, headquarters, dealership, manufacturer's representative)

* Business/Agency Name:

* Address:

* Contact Person Name:

* Contact Phone:

b) Ultimate Destination: Final delivery point(s); deployment/distribution

* Business/Agency Name:

* Address:

* Contact Person Name:

* Contact Phone:

c) Intended Use of Radios: Law enforcement, security, operations, etc.

KWD-AE30 AES FIPS140-2 SCM , NIST Validation & Customer Shipping

A secure delivery method direct to the end user customer is required by the NIST AES FIPS 140-2 validation rules. For U.S. Federal Government entities the SCM must ship from Kenwood USA Corporation directly to the end user customer by a trusted carrier (FEDEX, UPS or a designated Kenwood USA Corporation employee); shipping/handling by a dealer or other entity is not acceptable. This may or may not be required by local/state government agencies or business/industrial users. Please check with the end use customer about their AES encryption handling requirements before ordering. Kenwood will not be responsible for shipments of KWD-AE30K modules to erroneous destinations specified on an order.

NEXEDGE™
P25
NX-5400
700/800MHz Digital & FM Analog Portable Radio

Table of Contents



<Standard Key Model > <Full Key Model >

All NX-5400 series portables include:

- Belt Clip (KBH-11)
- Universal Connector Cap
- User Guide
- Premium Warranty: 3 Years*

* All Accessories / options: 1 Year

Purchase Battery, Charger, Antenna separately

* **Note:** To maintain immersion specs (IP67/68), all warranty service must be done by one of the three National Kenwood Authorized Service Centers. IP67/68 Certification is valid under the 3 year premium warranty. No re-certification is available.

Because of spurious signal (birdie), the following frequencies (and ±10kHz ranges) are not allowed;

- 864.000

STANDARD

■ **GENERAL FEATURES**

- 3 W (700/800 MHz) Models
- 1024 CH-GID / 128 Zones
- Standard Key Models (w/o numeric keypad)
- Full Key Models (w/ numeric keypad)
- Full Color 1.74" (240 x 180 pixels) Transflective TFT Display
- Multi-line Text Display
- Function/Status Icons
- Multi-Language Display**
- Date & 12/24 Hour Time Clock
- Transmit/Busy/Call Alert/Warn LED
- On/Off Volume Knob
- 16-Position Mechanical Selector (w/ a stopper)
- 4-way Directional-pad (D-pad)
- 2 Position Lever Switch
- Emergency/AUX Key
- 3 Side PF Keys
- 1W Speaker Audio
- Emergency Call Features
- Built-in GPS Receiver / Antenna
- Built-in Bluetooth® Module for hands-free operation
- Built-in Motion Sensor
- Built-in 56-bit DES Encryption **
- Active Noise Reduction (ANR)
- KPG-D1N Windows® FPU
- Flash Firmware Upgrading
- MIL-STD-810 C/D/E/F/G
- IP67/68 Immersion

■ **ANALOG MODE**

- NPSPAC Channels
- Conventional Zones
- LTR® Zones **
- FleetSync®/II**: PTT ID ANI, Caller ID Display, Selective/Group Call, Emergency Status, Text Messages
- MDC-1200**: PTT ID ANI, Caller ID Display, Emergency, Radio Check & Inhibit
- QT / DQT (Conventional Zones Only)
- Voice Inversion Scrambler

** Future Availability

[Available in 2Q 2015]

■ **DIGITAL – NXDN® MODE****

- NXDN® Conventional
- NXDN® TYPE-C Trunking (only in 800MHz)
- AMBE+2™ VOCODER
- 6.25 & 12.5 kHz Channels
- Over-the-Air Alias
- Over-the-Air Programming (require KPG-180AP OTAP Manager Software)
- Paging Call
- Emergency Call
- All Group Call
- Status Messaging
- Remote Stun/Kill/Check
- Short & Long Data Messages
- GPS Location

OPTIONAL

■ **GENERAL FEATURES**

- 4000 CH-GID / 128 Zones (KWD-5000CH License Key Activation required)
- Front Panel Programming (KWD-5001FP License Key Activation required)
- microSD/microSDHC Memory Card Slot (KWD-5002SD License Key Activation required)
- Built-in Bluetooth® Module for Data (KWD-5003BT** License Key Activation required)
- 256-bit AES Encryption (KWD-AE30K/31K Encryption Module required)
- Battery Management Solution (KSC-Y32K Charger & KAS-12K Software License Key required)

■ **DIGITAL – P25 MODE**

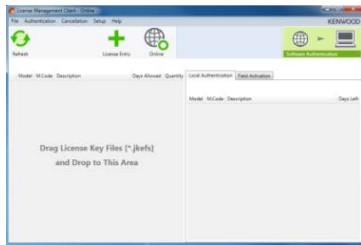
- Conventional Features (KWD-5100CV License Key Activation required)
- Phase 1 Trunking Features (KWD-5100CV & 5101TR License Keys Activation required)
- Phase 2 Trunking Features (KWD-5100CV & 5101TR & 5102TR License Keys Activation required)
- Conventional OTAR (KWD-5103RK License Key Activation required)
- Trunking OTAR (KWD-5103RK & 5106DT License Keys Activation required)
- Conventional Voting Scan (KWD-5105VT** License Key Activation required)
- Packet Data required for Trunked OTAR/GPS/Text (KWD-5106DT License Keys Activation required)

** Future Availability

| RADIO | | LIST |
|-----------|--|-----------|
| NX-5400K2 | 700 / 800 MHz, 3.0 Watts Analog Standard Key Model | \$ 825.00 |
| NX-5400K3 | 700 / 800 MHz, 3.0 Watts Analog Full Key Model | \$ 875.00 |

LICENSING SYSTEM

LIST



Note: KPT-300LMC is compatible with Windows Vista/7/8/8.1 Only. Windows XP is not supported.



KPT-300LMC License Management Client

KPT-300LMC is a **required** software package that is used to authenticate **software (FPU)** and **radio feature license** keys for the NX-5000 Series radios.

KPT-300LMC is available as a free download from Kenwood Tools and is also supplied with applicable software, such as KPG-D1NK, KAS-12, and KPG-AE1/DE1.

NOTE: A license key is required for the KPT-300LMC to authenticate the software prior to use. To receive a license key, complete the enclosed "**Account Request Form**" and return to the Land Mobile Order Desk.

License Keys will be E-Mailed to the address provided on the Account Request Form. A hard copy will follow by mail for your records.

| | | |
|------------|---------------------------|----|
| KPT-300LMC | License Management Client | NC |
| L-5000 | KPT-300LMC License Key | NC |

SOFTWARE LICENSE OPTIONS

TO PLACE AN ORDER FOR SOFTWARE (FPU):

1. Complete the attached KPG-D1NK Software License Key Request Form.
2. Submit along with your PO to the Land Mobile Order Desk via:
 - a) E-Mail: lmrorderdesk@us.jvckenwood.com
 - b) Fax: (310) 761-8246
3. License Keys will be E-mailed to the address provided on the order form. A hard copy will follow by mail for your records.

* A unique license key is required for each PC with KPG-D1NK installed. A single license key will not authorize multiple PCs.

| | | |
|----------|--|-----------|
| KPG-D1NK | License Key for KPG-D1NK Programming Software for NX-5000 Portable/Mobile (Windows® Vista/7/8/8.1) Note: Requires KPT-300LMC for authentication | \$ 155.00 |
|----------|--|-----------|

P25 Trunked Programming Capability (licensed by either 1 or 2 below):

1. KPG-D1NK with System Key File (*.SKF)- See L-5005
 - For NX-5000 series radios.
 - 3-digit HEX System ID (HSID) and verifiable written authorization required from trunked system operator (SYSOP).
 - Purchase KPG-D1NK & L-5005 System Key File
 - Kenwood ships an encrypted *.SKF file on CD ROM
 - The *.SKF securely embeds/encrypts the 16-digit Network Level License ID & the HSID.
2. KPG-D1NK with Advanced System Keys (ASK's)
 - For NX-5000 series radios.
 - SYSOPs: Refer to KWD-ASK-MK Master Key
 - Dealers/contractors: Refer to KWD-ASK-AK Access Key
 - KPG-D1NK supports up to 16 KWD-ASK-AK Access Keys (16 trunked networks).

| | | |
|---------|--|----------|
| KAS-12K | License Key for KAS-12 Battery Reader Software for KNBL1/2/3/ & KSC-Y32 (Windows® Vista/7/8/8.1) Note: Requires KPT-300LMC for authentication | \$ 85.00 |
|---------|--|----------|

Software License Key Discount Structure

| | |
|----------------------|---------|
| 1 License Key | --- |
| 2 ~ 4 License Keys | 10% OFF |
| 5 ~ 14 License Keys | 35% OFF |
| 15 ~ 24 License Keys | 40% OFF |
| 25+ License Keys | 45% OFF |

RADIO FEATURE LICENSE OPTIONS (ACCOUNT REGISTRATION)

PCs registered under the same KPT-300LMC Account Registration Key (License Key) will be able to authentic Radio Features that can then be viewed / shared / managed by all registered users for the account.

*** TO PLACE AN ORDER FOR RADIO FEATURE LICENSES:**

1. Complete the attached Radio Feature Request Form.
2. Submit the completed form along with your PO to the Land Mobile Order Desk via:
 - a) E-Mail: lmrorderdesk@us.jvckenwood.com
 - b) Fax: (310) 761-8246
3. License Keys will be E-mailed to the address provided on the request form. A hard copy will follow by mail for your records.

Note: Radio Feature License Keys are not transferable from a radio to a radio. Once a Radio Feature License has been authenticated in one radio, it can not be transferred to another radio.

GENERAL RADIO FEATURES

LIST

| | | |
|------------|--|-----------|
| KWD-5000CH | License Key for 4000 CH/GID Expansion | \$ 420.00 |
| KWD-5001FP | License Key for Front Panel Programming | \$ 300.00 |
| KWD-5002SD | License Key for microSD Memory Card Slot Activation | \$ 105.00 |
| KWD-5003BT | License Key for Bluetooth Serial Port Profile [Available 2015 2Q] | \$ 35.00 |

P25 RADIO FEATURES

LIST

| | | |
|------------|---|-----------|
| KWD-5100CV | License Key for P25 Conventional | \$ 575.00 |
| KWD-5101TR | License Key for P25 Phase 1 Trunking (requires KWD-5100CV) | \$ 520.00 |
| KWD-5102TR | License Key for P25 Phase 2 Trunking (requires KWD-5100CV & KWD-5101TR) | \$ 400.00 |
| KWD-5103RK | License Key for P25 OTAR (requires KWD-5106DT for a Trunking Operation) | \$ 700.00 |
| KWD-5105VT | License Key for P25 Conventional Voting Scan [Available 2015 2Q] | \$ 120.00 |
| KWD-5106DT | License Key for P25 Packet Data (requires for Trunked OTAR/GPS/Text) | \$ 180.00 |

ANTENNAS

LIST

| | | |
|---------|----------------------------|----------|
| KRA-32K | 700/800 MHz Whip Antenna | \$ 35.00 |
| KRA-36 | 700/800 MHz Stubby Antenna | \$ 25.00 |

BATTERIES AND CHARGERS

LIST

| | | |
|----------|--|-----------|
| KNB-L1M | Li-ion 2000mAh (Compact Slim) | \$ 115.00 |
| KNB-L2M | Li-ion 2600mAh (Standard) | \$ 135.00 |
| KNB-L3M | Li-ion 3400mAh (High Capacity) | \$ 175.00 |
| KSC-Y32K | Rapid rate single unit charger (Long-Life Charge Mode capable with KAS-12 Software) Note: NiMH/Li-ion battery only | \$ 115.00 |
| KAS-12K | License Key for KAS-12 (Authentication required) Battery Reader Software for KNBL1/2/3/ & KSC-Y32 (Windows® Vista/7/8/8.1) | \$ 85.00 |
| KSC-32 | Rapid rate single unit charger | \$ 70.00 |
| KSC-326K | Rapid rate 6-unit charger | \$ 630.00 |
| KMB-30M | Wall Mount Bracket for KSC-326K/256K | \$ 33.75 |
| KVC-15 | Rapid rate DC vehicular charger adapter for the KSC-32 (chargers not included; includes KSC-mobile bracket & cigarette lighter cable DC adapter) | \$ 119.00 |

CARRYING ACCESSORIES

LIST

| | | |
|-----------|--|----------|
| KBH-11 | Spring action belt clip (2.5") | \$ 14.70 |
| KBH-8DS | Leather swivel belt loop with portable D-Ring attachment | \$ 26.30 |
| KLH-6SW | Leather swivel belt loop / detachable swivel D-Ring back | \$ 22.00 |
| KLH-137ST | Firemen's Heavy-Duty Leather Shoulder Strap for a Heavy-Duty Leather Case | \$ 36.75 |
| KLH-200K3 | Heavy duty leather carrying case for NX-5000-series (for both keypad models) | \$ 44.25 |
| KLH-201K3 | Nylon carrying case for NX-5000-series (for both keypad models) | \$ 26.30 |

| MICROPHONES & AUDIO ACCESSORIES | | LIST |
|--|--|-------------|
| KMC-54WDM | MIL-SPEC, IP67 (Immersion) Speaker Mic Compatible with ANR Feature Note: only compatible with a NX-5000 series portable | \$ 130.00 |
| KMC-42WDM | MIL-SPEC, IP67 (Immersion) Noise-canceling Speaker Mic | \$ 114.00 |
| KMC-49 | MIL-SPEC, Speaker Mic. with Antenna Connector Note: 5/16" Coax cable hex wrench included (antenna is not included). | \$ 250.00 |
| KEP-1 | 3.5mm earphone kit for KMC-41/42W/54W Speaker Mics | \$ 52.50 |
| KEP-2 | 2.5mm earphone kit for KMC-49 Speaker Mic | \$ 52.50 |
| KEP-3 | 30" Earphone kit w/ 2.5mm plug for KCT-30 | \$ 51.50 |
| KEP-4 | 48" Earphone kit w/ 2.5mm plug for KCT-30 | \$ 54.75 |
| KCT-30 | 2.5mm Audio Accessory Adapter for KEP-3/4 | \$ 64.00 |
| KCT-51 | Hirose 6-pin Adapter (adapts KVL/aftermarket audio acc. to portable connector) | \$ 215.00 |
| KHS-11BL | 2-wire palm mic w/earphone, universal connector (Black) | \$ 156.50 |
| KHS-12BL | 3-wire mini lapel mic w/earphone, universal connector (Black) | \$ 184.00 |
| KHS-14 | Lt. Wt. Single muff headset w/boom mic & In-line PTT | \$ 126.00 |
| KHS-15-BH | Hvy-duty noise reduction behind-the-headset w/noise cancelling boom mic & PTT | \$ 420.00 |
| KHS-15-OH | Hvy-duty noise reduction over-the-headset w/noise cancelling boom mic & PTT | \$ 368.00 |

| ENCRYPTION MODULES | | LIST |
|---------------------------|---|-------------|
| KWD-AE30K | AES FIPS140-2 & DES Encryption Module (Multi-Key) Order a Labor Code L-5003 if installation is required. KWD-AE30K requires: a Motorola KVL3000 Plus/4000 key loader device. KWD-AE30K is an U.S. DOC/BIS Export Controlled Item (ECCN 5A002A.1) | \$ 850.00 |
| KWD-AE31K | AES & DES Encryption Module (Multi-Key) Order a Labor Code L-5004 if installation is required. Note: Requires KPG-AE1/DE1 software key loader or Motorola KVL3000 Plus/4000 key loader device. KWD-AE31K is an U.S. DOC/BIS Export Controlled Item (ECCN 5A002A.1) | \$ 550.00 |
| KPG-AE1K | AES/DES Encryption Software Key Loader for KWD-AE31K Authentication by KPT-300LMC is required Note: KPG-AE1 is a U.S. DOC/BIS Export Controlled Item (ECCN 5D002A) | \$ 525.00 |
| KPG-DE1K | DES Encryption Software Key Loader for KWD-AE31K Authentication by KPT-300LMC is required Note: KPG-DE1 is a U.S. DOC/BIS Export Controlled Item (ECCN 5D992A.1) | \$ 368.00 |

| SERVICE RELATED ACCESSORIES | | LIST |
|------------------------------------|---|-------------|
| KPG-36UM | USB Programming interface cable | \$ 158.50 |
| KPG-93 | KVL-3000 Plus/4000 Interface Cable for P25 Portables | \$ 262.50 |
| KPG-93AUT | KVL-4000 Radio Authentication Cable [Available in 2015 2Q] | TBD |
| KWD-ASK-AK | Access Key for KPG-D1NK P25 trunked programming Notes: • For NX-5000 series only • Must be activated by a SYSOP with KWD-ASK-MK Master Key • Must have KPG-D1NK • Battery Life: 3 years (non-serviceable; key must be replaced) | \$ 208.00 |
| KWD-ASK-MK | Master Key for activating KWD-ASK-AK Access Keys - Restricted Purchase Requirements - Notes: • For NX-5000 series only. • Sold to SYSOP or SYSOP authorized entities only • Must have KPG-D1NK • SYSOP must provide 3-digit HEX HSID & the 16-digit Network Level License ID to Kenwood. • Purchase KWD-ASK-AK Access Keys if needed. • Battery Life: 3 years (non-serviceable; key must be replaced) | \$ 500.00 |

| INSTALLATION / TUNING CHARGES | | LIST |
|--------------------------------------|---|-------------|
| L-5002 | NX-5200/5300/5400 Programming (with basic TX/RX check) | \$ 37.50 |
| L-5003 | Install KWD-AE30K in NX-5000 series Portable (Must purchase module separately) | \$ 75.00 |
| L-5004 | Install KWD-AE31K in NX-5000 series Portable (Must purchase module separately) | \$ 75.00 |
| L-5005 | KPG-D1NK System Key File Note: Enables P25 Trunked system programming privileges in a KPG-D1NK. - Restricted Purchase Requirements - • 3-Digit HEX System ID (HSID) from SYSOP required • Must Purchase KPG-D1NK with L-5005 • Kenwood ships an encrypted *.SKF file on CD ROM • Non-SYSOP entities ordering L-5005 must provide verifiable written authorization from SYSOP to receive an *.SKF file. • The 16-digit Network Level License ID & 3-digit HEX HSID are securely encrypted & embedded in the *.SKF file. | \$ 132.00 |

-- IMPORTANT NOTES regarding ENCRYPTION MODULES--

Encryption modules, key loaders and radios containing encryption are export controlled by the U.S. Department of Commerce Bureau of Industry & Security EAR regulations and may either require an Export License, are eligible for a License Exception (ENC) or are exportable with No License Required (NLR) depending on the country, the consignee and the intended use. High level encryption is a special commodity that may require an export license to most countries. See www.bis.gov for more information regarding export regulations. DO NOT SHIP encryption items outside the U.S. without proper DOC/BIS Export Licenses and/or compliances.

Kenwood may request the following information to be submitted at time of order (this information must meet Kenwood internal approvals prior to shipment even if being returned to Kenwood later:

a) Initial Destination: Initial delivery point if different from Ultimate Destination
 (customer distribution center, headquarters, dealership, manufacturer's representative)

* Business/Agency Name:

* Address:

* Contact Person Name:

* Contact Phone:

b) Ultimate Destination: Final delivery point(s); deployment/distribution

* Business/Agency Name:

* Address:

* Contact Person Name:

* Contact Phone:

c) Intended Use of Radios: Law enforcement, security, operations, etc.

KWD-AE30 AES FIPS140-2 SCM , NIST Validation & Customer Shipping

A secure delivery method direct to the end user customer is required by the NIST AES FIPS 140-2 validation rules. For U.S. Federal Government entities the SCM must ship from Kenwood USA Corporation directly to the end user customer by a trusted carrier (FEDEX, UPS or a designated Kenwood USA Corporation employee); shipping/handling by a dealer or other entity is not acceptable. This may or may not be required by local/state government agencies or business/industrial users. Please check with the end use customer about their AES encryption handling requirements before ordering. Kenwood will not be responsible for shipments of KWD-AE30K modules to erroneous destinations specified on an order.

NEXEDGE™
P25

Table of Contents

NX-5700/5800

VHF/UHF Digital & FM Analog Mobile Radios



- All NX-5000 series Mobiles include:**
- Standard Microphone (KMC-35)
 - Mounting Bracket (KMB-33M)
 - DC Cable (KCT-23M)
 - Blade Fuse
 - User Guide
 - Premium Warranty: 3 Years*

* All Accessories / options: 1 Year

STANDARD

GENERAL FEATURES

- 50 W (136-174 MHz) Models
- 45 W (380-470, 450-520 MHz) Models
- 1024 CH-GID / 128 Zones
- Full Color 2.55" (154 x 422 pixels) TFT Display
- Multi-line Text Display
- Function/Status Icons
- Multi-Language Display**
- Date & 12/24 Hour Time Clock
- Transmit/Busy/Call Alert/Warn LED
- Emergency/AUX Key
- 4W Speaker Audio
- DB-25 Accessory Connector
- Emergency Call Features
- Built-in GPS Receiver
- Built-in Bluetooth® Module for hands-free operation
- Built-in 56-bit DES Encryption **
- Active Noise Reduction (ANR)
- KPG-D1N Windows® FPU
- Flash Firmware Upgrading
- MIL-STD-810 C/D/E/F/G
- IP54/55

DIGITAL – NXDN® MODE

- NXDN® Conventional / TYPE-C Trunking
- AMBE+2™ VOCODER
- 6.25 & 12.5 kHz Channels
- Over-the-Air Alias
- Over-the-Air Programming (require KPG-180AP OTAP Manager Software **)
- Paging Call **
- Emergency Call
- All Group Call
- Status Messaging
- Remote Stun/Kill/Check
- Short & Long Data Messages
- GPS Location
- NXDN® Scrambler

ANALOG MODE

- Conventional Zones
- LTR® Zones **
- FleetSync®/II**: PTT ID ANI, Caller ID Display, Selective/Group Call, Emergency Status, Text Messages
- MDC-1200**: PTT ID ANI, Caller ID Display, Emergency, Radio Check & Inhibit
- QT / DQT
- Two-Tone** (Conventional Zones Only)
- DTMF**
- Built-in Voice Inversion Scrambler

OPTIONAL

GENERAL FEATURES

- 4000 CH-GID / 128 Zones (KWD-5000CH License Key Activation required)
- Front Panel Programming (KWD-5001FP License Key Activation required)
- microSD/microSDHC Memory Card Slot (KWD-5002SD License Key Activation required)
- Built-in Bluetooth® Module for Data (KWD-5003BT** License Key Activation required)
- 256-bit AES Encryption (KWD-AE30K/31K Encryption Module required)

DIGITAL – P25 MODE

- Conventional Features (KWD-5100CV License Key Activation required)
- Phase 1 Trunking Features (KWD-5100CV & 5101TR License Keys Activation required)
- Phase 2 Trunking Features (KWD-5100CV & 5101TR & 5102TR License Keys Activation required)
- Conventional OTAR (KWD-5103RK License Key Activation required)
- Trunking OTAR (KWD-5103RK & 5106DT License Keys Activation required)
- Conventional Voting Scan (KWD-5105VT** License Key Activation required)
- Packet Data required for Trunked OTAR/GPS/Text (KWD-5106DT License Keys Activation required)

[Available in 2Q 2015]

MOUNTING CONFIGURATIONS / REMOTE PANEL **

- KCH-20R Featured Control Head
- Single Remote Control Head (KRK Kit & KCT-71 Cable required)
- Dual Remote Control Heads (KCH-19/20R & KRK Kit & KCT-71 Cables required)
- Multiple RF Decks (KRK Kit & KCT-71 Control Cable + KWD-5004MR License Key Activation required required)

| RADIO | | LIST |
|-----------|--|-----------|
| NX-5700K | VHF (136-174MHz), 50 Watts NXDN Conventional / TYPE-C Trunking | \$ 980.00 |
| NX-5800K | UHF (450-520MHz), 45 Watts NXDN Conventional / TYPE-C Trunking | \$ 980.00 |
| NX-5800K2 | UHF (380-470MHz), 45 Watts NXDN Conventional / TYPE-C Trunking | \$ 980.00 |

LICENSING SYSTEM

LIST



Note: KPT-300LMC is compatible with Windows Vista/7/8/8.1 Only. Windows XP is not supported.



**KPT-300LMC
License Management Client**

KPT-300LMC is a required software package that is used to authenticate **software** (FPU) and **radio feature license** keys for the NX-5000 Series radios.

KPT-300LMC is available as a free download from Kenwood Tools and is also supplied with applicable software, such as KPG-D1NK, KAS-12, and KPG-AE1/DE1.

NOTE: A license key is required for the KPT-300LMC to authenticate the software prior to use. To receive a license key, complete the enclosed "**Account Request Form**" and return to the Land Mobile Order Desk.

License Keys will be E-Mailed to the address provided on the Account Request Form. A hard copy will follow by mail for your records.

| | | |
|------------|---------------------------|----|
| KPT-300LMC | License Management Client | NC |
| L-5000 | KPT-300LMC License Key | NC |

SOFTWARE LICENSE OPTIONS

TO PLACE AN ORDER FOR SOFTWARE (FPU):

1. Complete the attached KPG-D1NK Software License Key Request Form.
2. Submit along with your PO to the Land Mobile Order Desk via:
 - a) E-Mail: lmrorderdesk@us.jvckenwood.com
 - b) Fax: (310) 761-8246
3. License Keys will be E-mailed to the address provided on the order form. A hard copy will follow by mail for your records.

* A unique license key is required for each PC with KPG-D1NK installed. A single license key will not authorize multiple PCs.

| | | |
|----------|---|-----------|
| KPG-D1NK | License Key for KPG-D1NK Programming Software for NX-5000 Portable/Mobile (Windows® Vista/7/8/8.1) | \$ 155.00 |
|----------|---|-----------|

P25 Trunked Programming Capability (licensed by either 1 or 2 below):

1. KPG-D1NK with System Key File (*.SKF)- See L-5005
 - For NX-5000 series radios.
 - 3-digit HEX System ID (HSID) and verifiable written authorization required from trunked system operator (SYSOP).
 - Purchase KPG-D1NK & L-5005 System Key File
 - Kenwood ships an encrypted *.SKF file on CD ROM
 - The *.SKF securely embeds/encrypts the 16-digit Network Level License ID & the HSID.
2. KPG-D1NK with Advanced System Keys (ASK's)
 - For NX-5000 series radios.
 - SYSOPs: Refer to KWD-ASK-MK Master Key
 - Dealers/contractors: Refer to KWD-ASK-AK Access Key
 - KPG-D1NK supports up to 16 KWD-ASK-AK Access Keys (16 trunked networks).

Software License Key Discount Structure

| | |
|---------------------|---------|
| 1 License Key | --- |
| 2-4 License Keys | 10% OFF |
| 5 - 14 License Keys | 35% OFF |
| 15-24 License Keys | 40% OFF |
| 25+ License Keys | 45% OFF |

RADIO FEATURE LICENSE OPTIONS

PCs registered under the same KPT-300LMC Account Registration Key (License Key) will be able to authentic Radio Features that can then be viewed / shared / managed by all registered users for the account.

*** TO PLACE AN ORDER FOR RADIO FEATURE LICENSES:**

1. Complete the attached Radio Feature Request Form.
2. Submit the completed form along with your PO to the Land Mobile Order Desk via:
 - a) E-Mail: lmrorderdesk@us.jvckenwood.com
 - b) Fax: (310) 761-8246
3. License Keys will be E-mailed to the address provided on the request form. A hard copy will follow by mail for your records.

Note: Radio Feature License Keys are not transferable from a radio to a radio. Once a Radio Feature License has been authenticated in one radio, it can not be transferred to another radio.

GENERAL RADIO FEATURES

LIST

| | | |
|------------|---|------------|
| KWD-5000CH | License Key for 4000 CH/GID Expansion | \$ 420.00 |
| KWD-5001FP | License Key for Front Panel Programming | \$ 300.00 |
| KWD-5002SD | License Key for microSD Memory Card Slot Activation | \$ 105.00 |
| KWD-5003BT | License Key for Bluetooth Serial Port Profile [Available 2015 2Q] | \$ 35.00 |
| KWD-5004MR | License Key for Multiple RF Decks Receiver [Available 2015 2Q] | TBD |

P25 RADIO FEATURES

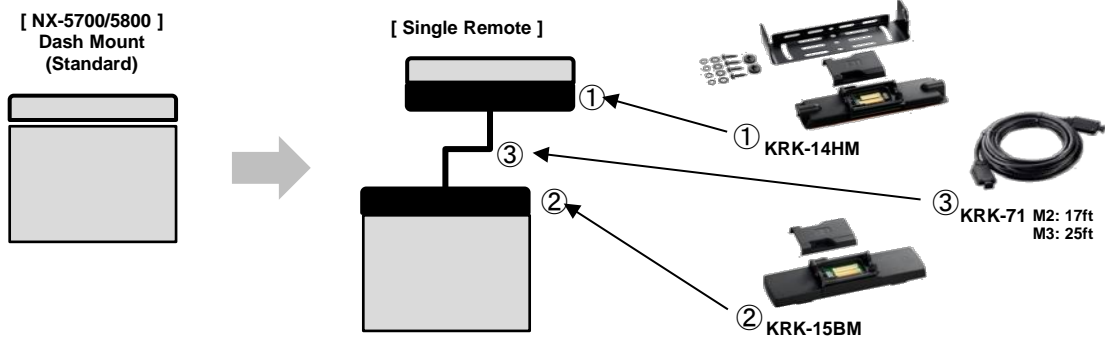
LIST

| | | |
|------------|---|-----------|
| KWD-5100CV | License Key for P25 Conventional | \$ 575.00 |
| KWD-5101TR | License Key for P25 Phase 1 Trunking (requires KWD-5100CV) | \$ 520.00 |
| KWD-5102TR | License Key for P25 Phase 2 Trunking (requires KWD-5100CV & KWD-5101TR) | \$ 400.00 |
| KWD-5103RK | License Key for P25 OTAR (requires KWD-5106DT for a Trunking Operation) | \$ 700.00 |
| KWD-5105VT | License Key for P25 Conventional Voting Scan [Available 2015 2Q] | \$ 120.00 |
| KWD-5106DT | License Key for P25 Packet Data (requires for Trunked OTAR/GPS/Text) | \$ 180.00 |

REMOTE CONTROL CONFIGURATION (Firmware Release 1.2 or Later is required)

LIST

| | | |
|----------|--|--------|
| KRK-14HM | Control Head Interface Kit for KCH-19M | 159.00 |
| KRK-15BM | Control Head Remote Kit for a RF Deck | 50.00 |
| KCT-71M2 | Remote Control Cable (17 feet) | 70.00 |
| KCT-71M3 | Remote Control Cable (25 feet) | 80.00 |



MOBILE INSTALLATION ACCESSORIES **LIST**

| | | |
|----------|---|--------|
| KAP-2 | Horn Alert/P.A. Relay Option | 63.00 |
| KCT-23M | DC Cable (35-50W Dash mount; pos/neg. 10 ft. leads) | 31.50 |
| KCT-23M3 | DC Cable (35-50W Remote mount; pos.23 ft.; neg. 3.3. ft. leads) | 34.75 |
| KCT-46 | Ignition sense cable (plugs directly into mobile chassis ignition sense line) | 13.70 |
| KLF-2 | Line Filter (suppresses alternator whine, 25dB, 25A max). | 42.00 |
| KMB-10 | Key lock adapter | 26.30 |
| KMB-33M | Standard Mounting Bracket (same as supplied) | 14.00 |
| KPS-15 | DC Switching Power Supply (117/230 VAC; 23A max. continuous, 25A peak) | 173.00 |
| KRA-40GM | GPS Antenna | 42.00 |

MICROPHONES AND SPEAKERS **LIST**

| | | |
|--------|---|-------|
| KMC-35 | MIL-SPEC Standard electret mobile microphone (8-pin mod. plug) - same as supplied | 52.50 |
| KMC-36 | MIL-SPEC Standard electret mobile microphone with 12 keypad (8-pin mod. plug) | 94.50 |
| KMC-9C | Control Station Desktop Microphone (8-pin mod. plug) Note: NOT compatible in a TDMA operation | 86.00 |
| KES-3 | External speaker (compact low profile; black case; 3.5 mm phono plug-in) | 44.25 |
| KES-5 | External speaker, 40W max input Note: requires KAP-2 (PA/HA unit) installed | 61.25 |

ENCRYPTION MODULES **LIST**

| | | |
|-----------|---|-----------|
| KWD-AE30K | AES FIPS140-2 & DES Encryption Module (Multi-Key) Order a Labor Code L-5007 if installation is required. KWD-AE30K requires: a Motorola KVL3000 Plus/4000 key loader device. KWD-AE30K is an U.S. DOC/BIS Export Controlled Item (ECCN 5A002A.1) | \$ 850.00 |
| KWD-AE31K | AES & DES Encryption Module (Multi-Key) Order a Labor Code L-5008 if installation is required. Note: Requires KPG-AE1/DE1 software key loader or Motorola KVL3000 Plus/4000 key loader device. KWD-AE31K is an U.S. DOC/BIS Export Controlled Item (ECCN 5A002A.1) | \$ 550.00 |
| KPG-AE1K | AES/DES Encryption Software Key Loader for KWD-AE31K Authentication by KPT-300LMC is required Note: KPG-AE1 is a U.S. DOC/BIS Export Controlled Item (ECCN 5D002A) | \$ 525.00 |
| KPG-DE1K | DES Encryption Software Key Loader for KWD-AE31K Authentication by KPT-300LMC is required Note: KPG-DE1 is a U.S. DOC/BIS Export Controlled Item (ECCN 5D992A.1) | \$ 368.00 |

SERVICE RELATED ACCESSORIES **LIST**

| | | |
|------------|---|------------|
| KPG-46UM | USB Programming interface cable | \$ 158.50 |
| KPG-115 | Key Loader Interface Cable for Motorola KVL-3000/3000 Plus | \$ 262.50 |
| KPG-115AUT | KVL-4000 Radio Authentication Cable [Available in 2015 1Q] | TBD |
| KWD-ASK-AK | Access Key for KPG-D1NK P25 trunked programming Notes: • For NX-5000 series only • Must be activated by a SYSOP with KWD-ASK-MK Master Key • Must have KPG-D1NK • Battery Life: 3 years (non-serviceable; key must be replaced) | \$ 208.00 |
| KWD-ASK-MK | Master Key for activating KWD-ASK-AK Access Keys - Restricted Purchase Requirements - Notes: • For NX-5000 series only. • Sold to SYSOP or SYSOP authorized entities only • Must have KPG-D1NK • SYSOP must provide 3-digit HEX HSID & the 16-digit Network Level License ID to Kenwood. • Purchase KWD-ASK-AK Access Keys if needed. • Battery Life: 3 years (non-serviceable; key must be replaced) | \$ 500.00 |

INSTALLATION / TUNING CHARGES **LIST**

| | | |
|--------|---|-----------|
| L-5006 | NX-5700/5800 Programming (with basic TX/RX check) | \$ 37.50 |
| L-5007 | Install KWD-AE30K in NX-5000 series Mobile (Must purchase module separately) | \$ 75.00 |
| L-5008 | Install KWD-AE31K in NX-5000 series Mobile (Must purchase module separately) | \$ 75.00 |
| L-5005 | KPG-D1NK System Key File Note: Enables P25 Trunked system programming privileges in a KPG-D1NK. - Restricted Purchase Requirements - <ul style="list-style-type: none"> • 3-Digit HEX System ID (HSID) from SYSOP required • Must Purchase KPG-D1NK with L-5005 • Kenwood ships an encrypted *.SKF file on CD ROM • Non-SYSOP entities ordering L-5005 must provide verifiable written authorization from SYSOP to receive an *.SKF file. • The 16-digit Network Level License ID & 3-digit HEX HSID are securely encrypted & embedded in the *.SKF file. | \$ 132.00 |
| L-5015 | Install KAP-2 (Default) HR1/Internal Sp./PA | \$ 25.00 |
| L-5016 | Assemble NX-5000 Mobile for Single Remote Head Control | \$ 42.00 |
| L-5020 | KCT-71 Extended Control Head Cable (up to 50 ft. max.) Note: Please specify exact length at 1ft. increments when ordering. Caution: Extended control head cables exhibit a loss in speaker audio power to the control heads. | \$ 190.00 |
| L-5021 | KCT-71 Extended Control Head Cable (up to 100 ft. max.) Note: Please specify exact length at 1ft. increments when ordering. Caution: Extended control head cables exhibit a loss in speaker audio power to the control heads. | \$ 245.00 |

-- IMPORTANT NOTES regarding ENCRYPTION MODULES--

Encryption modules, key loaders and radios containing encryption are export controlled by the U.S. Department of Commerce Bureau of Industry & Security EAR regulations and may either require an Export License, are eligible for a License Exception (ENC) or are exportable with No License Required (NLR) depending on the country, the consignee and the intended use. High level encryption is a special commodity that may require an export license to most countries. See www.bis.gov for more information regarding export regulations. DO NOT SHIP encryption items outside the U.S. without proper DOC/BIS Export Licenses and/or compliances.

Kenwood may request the following information to be submitted at time of order (this information must meet Kenwood internal approvals prior to shipment even if being returned to Kenwood later:

a) Initial Destination: Initial delivery point if different from Ultimate Destination (customer distribution center, headquarters, dealership, manufacturer's representative)

* Business/Agency Name:

* Address:

* Contact Person Name:

* Contact Phone:

b) Ultimate Destination: Final delivery point(s); deployment/distribution

* Business/Agency Name:

* Address:

* Contact Person Name:

* Contact Phone:

c) Intended Use of Radios: Law enforcement, security, operations, etc.

KWD-AE30 AES FIPS140-2 SCM , NIST Validation & Customer Shipping

A secure delivery method direct to the end user customer is required by the NIST AES FIPS 140-2 validation rules. For U.S. Federal Government entities the SCM must ship from Kenwood USA Corporation directly to the end user customer by a trusted carrier (FEDEX, UPS or a designated Kenwood USA Corporation employee); shipping/handling by a dealer or other entity is not acceptable. This may or may not be required by local/state government agencies or business/industrial users. Please check with the end use customer about their AES encryption handling requirements before ordering. Kenwood will not be responsible for shipments of KWD-AE30K modules to erroneous destinations specified on an order.

TK-5210G / 5310G
VHF/UHF FM Analog & P25 Digital Portable Radios



All 5X10G series portables include:

- Belt Clip (KBH-11)
- Universal Connector Cap
- Instruction Manual
- Premium Warranty: 3 Years*

* All Accessories / options: 1 Year

Order packages to include Battery & Charger, or purchase Battery, Charger, and Antenna separately.

G models are Ver 3 Hardware (starting S/No. B03xxxx)

Basic Model

No LCD display; no front panel keys
 - TK-5210GK, TK-5310GK/GK4

Standard Model

16-Character Alphanumeric LCD
 4 control keys
 - TK-5210GK2/K7, TK-5310GK2/K5/K7

12 Keypad Model

16-Character Alphanumeric LCD
 4 control keys
 DTMF/Function keypad
 - TK-5210GK3, TK-5310GK3/K6

GENERAL FEATURES

- 5 Watt (136-174 MHz)
- 4 Watt (450-520, 380-470 MHz)
- 100 Zones / 1024 Channels (K-K6)
- 32 Zones / 128 Channels (K7)
- Personality Lists
- Backlit Dot Matrix LCD
- 16 Character Alphanumeric Aliases
- 3-Digit Sub-Display
- Function / Status LCD Icons
- RSSI Indicator
- Transmit / Busy / Call Alert / Warn LED
- On/Off Volume Knob
- 16-Position Selector Knob
- 2-Position PF Lever Switch
- 3-Position PF Concentric Switch
- 4 Front Menu-Driven PF Keys
- 3 Side PF Keys
- Orange Emergency / AUX Key
- 12-Key DTMF / PF Keypad
- Enhanced Kenwood Audio
- Voice Annunciation
- VOX Ready
- Emergency Features
- Tactical Group
- Battery Level Indicator
- Transceiver Password
- Date & 12/24 Hour Time Clock
- Windows® Programming & Tuning
- Windows® Firmware Uploading
- Self-Programming & Tuning
- Cloning
- Easy Option Port
- Voice Guide & Storage (Option)
- Weather-Sealed Accessory Connector
- MIL-STD-810 C/D/E/F/G
- IP54/55 Water & Dust Protection
- Immersion (IP66/67/68) Option
- Intrinsically Safe Option*

P25 DIGITAL

- P25 Digital Conventional
- P25 Digital Trunking Option
- AMBE+2™ Enhanced VOCODER
- Talk Group ID Lists
- Individual ID Lists
- Caller ID Display
- Remote Monitor/Remote Check
- Radio Inhibit
- Encryption Key Delete
- Encryption Key Zeroize Option
- Encryption Key Retention Option
- DES Encryption Options
- AES / DES Encryption Options
- KPG-93 KVL Key Loader Interface Cable
- P25 GPS Location
- P25 OTAR Option

SCAN TYPES (FM & P25)

- Single Zone/Multi-Zone Scan
- Scan Lists
- Conventional Scan
- Limited Talk Group Scan
- Priority Monitor Scan
- Dual Priority Scan

FM

- QT / DQT
- Operator Selectable Tone
- Two-Tone Encode / Decode
- DTMF Encode / Decode / Stun
- Special Alert Tone Patterns
- Encryption / ANI Board Control
- Companded Audio
- FleetSync® /II PTT ID / Caller ID Display / Emergency
- MDC-1200 PTT ID / Caller ID Display / Emergency

* Approved for Classes I, II & III, Div. 1, Groups D, E, F, G and are also approved for non-Incendive use in Class I, Div. 2, Groups A, B, C, D hazardous locations.
Note: Class I, Div 2 Group A & B Gases require use of a portable carrying case.

| PACKAGES | | LIST |
|-----------------|---|-------------|
| TK-5210GK2-NKP | VHF NiMH Battery Package (TK-5210GK2 + KNB-54N + KSC-32 + KBH-11) | 1,755.00 |
| TK-5210GK2-LKP | VHF Li-Ion Battery Package (TK-5210GK2 + KNB-43L + KSC-32 + KBH-11) | 1,831.00 |
| TK-5310GK2-NKP | UHF NiMH Battery Package (TK-5310GK2 + KNB-54N + KSC-32 + KBH-11) | 1,755.00 |
| TK-5310GK2-LKP | UHF Li-Ion Battery Package (TK-5310GK2 + KNB-43L + KSC-32 + KBH-11) | 1,831.00 |

| RADIO | | LIST |
|--------------|---|-------------|
| TK-5210GK | 136-174MHz 5W, 1024 CH, Basic Model [see note 1] | 1,225.00 |
| TK-5210GK2 | 136-174MHz 5W, 1024 CH, Standard Model | 1,598.00 |
| TK-5210GK3 | 136-174MHz 5W, 1024 CH, 12 Keypad Model | 1,757.00 |
| TK-5210GK7 | 136-174MHz 5W, 128 CH, Standard Model [see note 1] | 1,400.00 |
| TK-5310GK | 450-520 MHz 4W, 1024 CH, Basic Model [see note 1] | 1,225.00 |
| TK-5310GK2 | 450-520 MHz 4W, 1024 CH, Standard Model | 1,598.00 |
| TK-5310GK3 | 450-520 MHz 4W, 1024 CH, 12 Keypad Model | 1,757.00 |
| TK-5310GK4 | 380-470 MHz 4W, 1024 CH, Basic Model [see note 1] | 1,225.00 |
| TK-5310GK5 | 380-470 MHz 4W, 1024 CH, Standard Model | 1,598.00 |
| TK-5310GK6 | 380-470 MHz 4W, 1024 CH, 12 Keypad Model | 1,757.00 |
| TK-5310GK7 | 380-470 MHz 4W, 128 CH, Standard Model [see note 1] | 1,400.00 |

| RADIO (Special Color Housing) | | LIST |
|--------------------------------------|--|-------------|
| TK-5210GK2YH | 136-174MHz 5W, 1024 CH, Standard Model (w/ Yellow Housing) [see note 1] | 1,724.00 |
| TK-5210GK2OH | 136-174MHz 5W, 1024 CH, Standard Model (w/ Orange Housing) [see note 1] | 1,724.00 |
| TK-5310GK2YH | 450-520 MHz 4W, 1024 CH, Standard Model (w/ Yellow Housing) [see note 1] | 1,724.00 |
| TK-5310GK2OH | 450-520 MHz 4W, 1024 CH, Standard Model (w/ Orange Housing) [see note 1] | 1,724.00 |
| TK-5310GK5YH | 380-470 MHz 4W, 1024 CH, Standard Model (w/ Yellow Housing) [see note 1] | 1,724.00 |
| TK-5310GK5OH | 380-470 MHz 4W, 1024 CH, Standard Model (w/ Orange Housing) [see note 1] | 1,724.00 |

| FACTORY MUTUAL (FM) APPROVED MODELS | | LIST |
|---|--|-------------|
| Must Order L-986 & an Intrinsically Safe Battery per radio | | |
| TK-5210-ISGK | 136-174MHz 5W, 1024 CH, Basic Model [see note 1] | 1,225.00 |
| TK-5210-ISGK2 | 136-174MHz 5W, 1024 CH, Standard Model | 1,598.00 |
| TK-5210-ISGK2-YH | 136-174MHz 5W, 1024 CH, Standard Model (w/ Yellow Housing) [see note 1] | 1,724.00 |
| TK-5210-ISGK2-OH | 136-174MHz 5W, 1024 CH, Standard Model (w/ Orange Housing) [see note 1] | 1,724.00 |
| TK-5210-ISGK3 | 136-174MHz 5W, 1024 CH, 12 Keypad Model | 1,757.00 |
| TK-5210-ISGK7 | 136-174MHz 5W, 128 CH, Standard Model [see note 1] | 1,400.00 |
| TK-5310-ISGK | 450-520 MHz 4W, 1024 CH, Basic Model [see note 1] | 1,225.00 |
| TK-5310-ISGK2 | 450-520 MHz 4W, 1024 CH, Standard Model | 1,598.00 |
| TK-5310-ISGK2-YH | 450-520 MHz 4W, 1024 CH, Standard Model (w/ Yellow Housing) [see note 1] | 1,724.00 |
| TK-5310-ISGK2-OH | 450-520 MHz 4W, 1024 CH, Standard Model (w/ Orange Housing) [see note 1] | 1,724.00 |
| TK-5310-ISGK3 | 450-520 MHz 4W, 1024 CH, 12 Keypad Model | 1,757.00 |
| TK-5310-ISGK4 | 380-470 MHz 4W, 1024 CH, Basic Model [see note 1] | 1,225.00 |
| TK-5310-ISGK5 | 380-470 MHz 4W, 1024 CH, Standard Model | 1,598.00 |
| TK-5310-ISGK5-YH | 380-470 MHz 4W, 1024 CH, Standard Model (w/ Yellow Housing) [see note 1] | 1,724.00 |
| TK-5310-ISGK5-OH | 380-470 MHz 4W, 1024 CH, Standard Model (w/ Orange Housing) [see note 1] | 1,724.00 |
| TK-5310-ISGK6 | 380-470 MHz 4W, 1024 CH, 12 Keypad Model | 1,757.00 |
| TK-5310-ISGK7 | 380-470 MHz 4W, 128 CH, Standard Model [see note 1] | 1,400.00 |

[note 1]: these models are stocked in minimum quantities. Please anticipate a minimum 90-day lead time and call order desk to verify availability.

| ANTENNAS | | LIST |
|-----------------|---------------------------------|-------------|
| KRA-26M | VHF helical antenna 146-162 MHz | 14.00 |
| KRA-26M2 | VHF helical antenna 162-174 MHz | 14.00 |
| KRA-26M3 | VHF helical antenna 136-150 MHz | 14.00 |
| KRA-27M | UHF whip antenna 440-490 MHz | 14.00 |
| KRA-27M2 | UHF whip antenna 470-520 MHz | 14.00 |
| KRA-27M3 | UHF whip antenna 400-450 MHz | 14.00 |

| ANTENNAS - CONT'D | | LIST |
|--------------------------|--|-------------|
| KRA-22M | VHF low-profile helical antenna 148-162 MHz | 13.70 |
| KRA-22M2 | VHF low-profile helical antenna 162-174 MHz | 13.70 |
| KRA-22M3 | VHF Low-profile helical antenna 136-150 MHz | 13.70 |
| KRA-23M | UHF low-profile helical antenna 450-490 MHz | 13.70 |
| KRA-23M2 | UHF low-profile helical antenna 470-512 MHz | 13.70 |
| KRA-23M3 | UHF low-profile helical antenna 403-430 MHz | 13.70 |
| KRA-16M | VHF stubby antenna 148-162 MHz | 13.70 |
| KRA-16M2 | VHF stubby antenna 162-174 MHz | 13.70 |
| KRA-16M3 | VHF stubby antenna 136-150 MHz | 13.70 |
| KRA-17M | UHF stubby antenna 450-490 MHz | 13.70 |
| KRA-17M2 | UHF stubby antenna 470-512 MHz | 13.70 |
| KRA-17M3 | UHF stubby antenna 403-430 MHz | 13.70 |
| KRA-25 | High gain VHF helically loaded whip antenna 148-162 MHz | 34.25 |
| KRA-28 | Broad-band VHF helically loaded whip antenna 140-170 MHz | 42.00 |
| KRA-29 | Broad Band UHF Whip Antenna 380-430 MHz | 36.75 |

| BATTERIES AND CHARGERS | | LIST |
|-------------------------------|---|-------------|
| KNB-54N | 2500 mAh, Ni-MH battery - requires KSC-32/326K charger [Immersion Option compatible] | 87.50 |
| KNB-33L | 2000 mAh, Li-ion battery - requires KSC-32/326K charger [Immersion Option compatible] | 105.00 |
| KNB-41NC-FM | 2500 mAh, Ni-MH battery - requires KSC-32/326K charger [FM Intrinsically Safe Option] | 136.50 |
| KNB-43L | 3300 mAh, Li-Polymer battery - requires KSC-32/326K charger | 163.00 |
| KNB-49PL | 4500 mAh, Primary Lithium battery Note: Non-Rechargeable (please recycle all batteries properly) 10 year Shelf Life (approx. 1% charge degradation per year when properly stored: +50 °F to +86 °F @ less than 70% humidity) | 84.00 |
| KBP-6 | AA Alkaline Refillable Battery Pack (6 AA; 9V) cells not included Note: the color of the case is orange | 68.50 |
| KSC-32 | Rapid rate single unit charger for KNB-31A/32N/33L/41NC/43L/47L/48L/50NC Note: Includes 110/220V auto-switching AC adapter with U.S.-style line cord plug; requires plug adapter for 220V Euro-style outlets (not supplied). | 70.00 |
| KSC-326K | Rapid rate 6-unit charger for KNB-31A/32N/33L/41NC/43L/47L/48L/50NC | 630.00 |
| KMB-30M | Wall Mount Bracket for KSC-326K/256K | 33.75 |
| KMB-23 | Six Unit Charger Adapter for the KSC-16/20/24/25/25L/32 chargers (chargers not included) | 191.00 |
| KVC-15 | Rapid rate DC vehicular charger adapter for the KSC-32 (chargers not included; includes KSC-mobile bracket & cigarette lighter cable DC adapter) | 119.00 |
| KVC-18 | Vehicular D.C. Charger for 180/5*10 Portables with NiCd or NiMH Battery | 446.50 |
| KVC-20L | Vehicular D.C. Charger for 180/5**0/, NX Portables with Li-ion or Li Polymer Battery | 497.00 |

| CARRYING ACCESSORIES | | LIST |
|-----------------------------|--|-------------|
| KBH-11 | Spring action belt clip (2.5") | 14.70 |
| KBH-8DS | Leather swivel belt loop with portable D-Ring attachment | 26.30 |
| KLH-6SW | Leather swivel belt loop / detachable swivel D-Ring back | 22.00 |
| KLH-133K | Heavy duty leather carrying case for TK-5*10 Basic Models | 44.25 |
| KLH-133K2 | Heavy duty leather carrying case for TK-5*10 Standard Models | 44.25 |
| KLH-133K3 | Heavy duty leather carrying case for TK-5*10 12 Keypad Models | 44.25 |
| KLH-134K | Cordura Nylon carrying case for TK-5*10 Basic Models | 26.30 |
| KLH-134K2 | Cordura Nylon carrying case for TK-5*10 Standard Models | 26.30 |
| KLH-134K3 | Cordura Nylon carrying case for TK-5*10 12 Keypad Models | 26.30 |
| KLH-137ST | Firemen's Heavy-Duty Leather Shoulder Strap for a Heavy-Duty Leather Case (KLH-75B/76B/78B/79B//92/122/123/133/148/154) | 36.75 |

| MICROPHONES & AUDIO ACCESSORIES | | LIST |
|--|---|-------------|
| KMC-51M | MIL-SPEC, IP54/55 DSP Digital Noise-canceling Speaker Mic | 250.00 |
| KMC-52W | MIL-SPEC, IP67 (Immersion) DSP Digital Noise-canceling Speaker Mic | 300.00 |
| | [note 2]: To adjust microphone settings different from factory default, download KPG-147NC configuration software and special configuration firmware from Kenwood Tools (no charge). | |
| KMC-47GPS | GPS Speaker Microphone | 290.00 |
| KMC-41M | MIL-SPEC, IP54/55 Noise-canceling Speaker Mic [Intrinsically Safe Approved Accessory] | 96.50 |
| KMC-42WM | MIL-SPEC, IP67 (Immersion) Noise-canceling Speaker Mic [Intrinsically Safe Approved Accessory] [MSHA Approved Accessory] | 114.00 |
| KMC-26 | MIL-SPEC, Noise canceling Speaker mic w/Antenna Connector (ant. not incl.) [Intrinsically Safe Approved Accessory] [MSHA Approved Accessory] | 115.50 |
| KMC-49 | MIL-SPEC, Speaker Mic. with Antenna Connector [Intrinsically Safe Approved Accessory] Note: 5/16" Coax cable hex wrench included (antenna is not included). | 250.00 |
| KEP-1 | 3.5mm earphone kit for KMC-25/26/41M/42WM Speaker Mics [Intrinsically Safe Approved Accessory] [MSHA Approved Accessory] | 52.50 |
| KEP-3 | 30" Earphone kit w/ 2.5mm plug for KCT-30 [Intrinsically Safe Approved Accessory] [MSHA Approved Accessory] | 51.50 |
| KEP-4 | 48" Earphone kit w/ 2.5mm plug for KCT-30 [Intrinsically Safe Approved Accessory] | 54.75 |
| KCT-30 | 2.5mm Audio Accessory Adapter for KEP-3/4 [Intrinsically Safe Approved Accessory] | 64.00 |
| KCT-51 | Hirose 6-pin Adapter (adapts KVL/aftermarket audio acc. to portable connector) | 215.00 |
| KHS-11BE | 2-wire palm mic w/earphone, universal connector (Beige) [Intrinsically Safe Approved Accessory] | 156.50 |
| KHS-11BL | 2-wire palm mic w/earphone, universal connector (Black) [Intrinsically Safe Approved Accessory] | 156.50 |
| KHS-12BE | 3-wire mini lapel mic w/earphone, universal connector (Beige) [Intrinsically Safe Approved Accessory] | 184.00 |
| KHS-12BL | 3-wire mini lapel mic w/earphone, universal connector (Black) [Intrinsically Safe Approved Accessory] | 184.00 |
| KHS-14 | Lt. Wt. Single muff headset w/boom mic & In-line PTT [Intrinsically Safe Approved Accessory] | 126.00 |
| KHS-15-BH | Hvy-duty noise reduction behind-the-headset w/noise cancelling boom mic & in-line PTT [Intrinsically Safe Approved Accessory] [MSHA Approved Accessory] | 420.00 |
| KHS-15-OH | Hvy-duty noise reduction over-the-headset w/noise cancelling boom mic & in-line PTT [Intrinsically Safe Approved Accessory] [MSHA Approved Accessory] | 368.00 |

| ENVIRONMENTAL SPEC. OPTIONS | | LIST |
|------------------------------------|--|-------------|
| KWD-IM10 | IP 66/67/68 Immersion Option Kit* Must Order L-987 Note: Initial Installation Kenwood Long Beach Tuning Dept. only. To maintain immersion certification, re-certification is required every 2 years available at Kenwood Authorized Service Centers only. Call an ASC for return procedure (\$315.00 List Price) IP 66 (Dust & Water Jet Intrusion), IP 67 (Immersion in 3.3 ft. (1m) depth @ 30 mins), IP 68 (Immersion in 3.3 ft. (1m) depth @ 2 hours) | 368.00 |

| FIRMWARE OPTIONS | | LIST |
|-------------------------|--|-------------|
| KWD-RK20 | OTAR Option for KWD-AE20K Encryption Module in TK-5x10 series (OTAR in P25 Conventional & Trunked Modes) • Requires KWD-AE20K module. • L-1108 (for portable) & L-1109 (for mobile) Installation (no charge) • L-1733 (for portable) & L-1734 (for mobile) Field Upgrade Option Note: • Supports OTAR in P25 Conventional & Trunked modes (Not compatible with GK7 64 CH Model) • Compatible with Motorola KMF P25 OTAR (excludes Motorola-proprietary non-TIA/P25 KMF features)) • Requires KPG-95D/DG(N) V7.10 or later for radio programming • TK-5x10 VER2: Requires KPG-95D V5.40 or later for radio programming • TK-5410/5910: Requires KPG-95D V6.00 or later for radio programming • TK-5x10G: Requires KPG-95DG(N) for radio programming • TK-5x10 VER2: Option deletes self-programming, cloning and analog FleetSync® (except PTT ID/Emergency) when installed. KWD-RK20 is an U.S. DOC/BIS Export Controlled Item (ECCN 5D002A) - See IMPORTANT NOTES - | 830.00 |
| KWD-TR20 | Trunking Option for TK-5210/5310/5210G/5310G, TK-5710/5810/5710G/5810G KWD-TR20 support:16 Trunking Network Must order L-1055 for factory installation, or L-1067 for field-upgrade option Note: KPG-95D/95DG(N) Requires Network Level License ID to program trunked network radio parameters (see KPG-95D/95DG(N) for purchase restrictions & requirements) Compatible with TK-5210 Version 2 (SN 80600001 or later); TK-5310 (SN 809xxxxx or later); TK-5710 Version 2 (SN806xxxxx); TK-5810 (SN 809xxxxx or later); All TK-5x10G Series are compatible | 334.00 |
| SOFTWARE OPTIONS | | LIST |
| KPG-113AE | AES/DES Encryption Software Key Loader for KWD-DE21K/KWD-AE21K Loads AES & DES keys on capable encryption modules Note: KPG-113AE is a U.S. DOC/BIS Export Controlled Item (ECCN 5D002A) - See IMPORTANT NOTES - | 525.00 |
| KPG-114DE | DES Encryption Software Key Loader for KWD-DE21K/KWD-AE21K Loads DES keys only regardless of encryption module model Note: KPG-114DE is a U.S. DOC/BIS Export Controlled Item (ECCN 5D992A.1) - See IMPORTANT NOTES - | 368.00 |
| OPTION MODULES | | LIST |
| KCT-48VU | External Vibration Unit [Intrinsically Safe Approved Accessory] Note: Audio accessories cannot be used when this option installed. KCT-48VU does not support the P25 digital mode calling or paging features | 49.00 |
| KCT-57MS | Man-Down Internal Tilt Switch (Non-Mercury) [Intrinsically Safe Approved Accessory] - Must be Kenwood installed for I.S. Order L-1613 for CIM-1000, K-20, K-26 & L-1614 for FleetSync®/P25 Emergency operations | 22.00 |
| KWD-AE20K | AES FIPS140-2 & DES Encryption Module for TK-5x10, TK-5x10G & TK-5x20 Portables & Mobiles (except K7 Portable) [KWD-AE20K support] - Advanced Encryption Standard (AES): 256-bit symmetric key algorithm; NIST validated per FIPS140-2 - Data Encryption Standard (DES): 56-bit symmetric key algorithm. - 16 Multi-key List (user-selectable / per Personality programming) - Stores: 1024 keys & 1024 Common Key References (CKR) - Must order KWD-RK20 for OTAR capability [Intrinsically Safe Approved Accessory] - Order L-1236 if installation is required. - KWD-AE20K requires: a Motorola KVL3000/+ & KVL-4000 Key Fill Devices and KMF P25 OTAR (excludes Motorola-proprietary non-TIA/P25 KMF features). F/W VA2.0.3 or later supports the KVL4000. - KWD-AE20K is an U.S. DOC/BIS Export Controlled Item (ECCN 5A002A.1) - See IMPORTANT NOTES - | 998.00 |

| OPTION MODULES - CONT'D | | LIST |
|--------------------------------|--|-------------|
| KWD-AE21K | AES & DES Encryption Module for TK-5x10, TK-5x10G & TK-5x20 Portables & Mobiles (except K7 Portable) [KWD-AE20K support] - Advanced Encryption Standard (AES): 256-bit symmetric key algorithm; - Data Encryption Standard (DES): 56-bit symmetric key algorithm. - 16 Multi-key List (user-selectable / per Personality programming) - Stores: 1024 keys & 1024 Common Key References (CKR) [Intrinsically Safe Approved Accessory] - Order L-1237 if installation is required. Note: Requires KPG-113AE software key loader or Motorola KVL3000 Plus key loader device. KWD-AE21K is an U.S. DOC/BIS Export Controlled Item (ECCN 5A002A.1) - See IMPORTANT NOTES - | 998.00 |
| KWD-DE21K | DES Encryption Module for TK-5x10, TK-5x10G & TK-5x20 Portables & Mobiles [KWD-DE21K support] - Data Encryption Standard (DES): 56-bit symmetric key algorithm - 16 Multi-key List (user-selectable / per Personality programming) - Stores: 1024 keys & 1024 Common Key References (CKR) [Intrinsically Safe Approved Accessory] - Order L-1560 if installation is required Note: Requires KPG-114DE or KPG-113AE software key loader or Motorola KVL3000 Plus key loader device. KWD-DE21K is a U.S. DOC/BIS Export Controlled Item (ECCN 5A992A) - See IMPORTANT NOTES - | 578.00 |
| VGS-1 | Voice Guide and Storage Unit [Intrinsically Safe Approved Accessory] | 87.50 |

| SERVICE RELATED ACCESSORIES | | LIST |
|------------------------------------|--|-------------|
| KPG-36UM | USB Programming interface cable | 158.50 |
| KPG-93 | KVL-3000/3000 Plus Interface Cable for TK-5x10, TK-5x10G & TK-5x20 Portables | 262.50 |
| KPG-95DGNK | Windows® Programming Software for TK-5x10 & TK-5x10G Portables & Mobiles (Compliant with FCC Part 90 Narrowbanding) Note: Self-programming function is not available. Analog & P25 Conventional Programming A "Dealer-Level" License ID is included with each KPG-95DG(N)K which only permits full analog conventional and P25 conventional programming. Data files created with a "Network-Level Licensed" KPG-95DG(N)K and containing P25 programmed P25 trunked network parameters can be loaded and viewed with a Dealer-Level Licensed KPG-95DG(N)K, but the trunked network parameters cannot be changed. P25 Trunked Programming Capability (licensed by either 1 or 2 below): 1. KPG-95DG(N)K with System Key File (*.SKF)- See L-989 <ul style="list-style-type: none"> • For all TK-5x10 radio platforms (VER1, 2, 3 or later). • 3-digit HEX System ID (HSID) and verifiable written authorization required from trunked system operator (SYSOP). • Purchase KPG-95DG(N)K & L-989 Network-Level License ID • Kenwood ships an encrypted *.SKF file on CD ROM • The *.SKF securely embeds/encrypts the 16-digit Network Level License ID & the HSID. 2. KPG-95DG(N)K with Advanced Network Keys (ANK's) <ul style="list-style-type: none"> • For TK-5x10G/5410/5910 VER 3 or later radio platforms only. • SYSOPs: Refer to KWD-ANK-MK Master Key • Dealers/contractors: Refer to KWD-ANK-AK Access Key • KPG-95DG(N)K (V7.0 or later) supports up to 16 KWD-ANK-AK Access Keys (16 trunked networks). | 628.00 |
| KWD-ANK-AK | Access Key for KPG-95DG(N)K P25 trunked programming Notes: <ul style="list-style-type: none"> • For TK-5x10G/5410/5910 VER 3 or later radio platforms only • Must be activated by a SYSOP with KWD-ANK-MK Master Key. • Must have KPG-95DG(N)K (V7.0 or later); L-989 is NOT required. • Battery Life: 3 years (non-serviceable; key must be replaced) | 208.00 |
| KWD-ANK-MK | Master Key for activating KWD-ANK-AK Access Keys - Restricted Purchase Requirements - Notes: <ul style="list-style-type: none"> • For TK-5x10G/5410/5910 VER 3 or later radio platforms only. • Sold to SYSOP or SYSOP authorized entities only • Must have KPG-95DG(N)K (V7.0 or later) with L-989 Network-Level License ID • SYSOP must provide 3-digit HEX HSID to Kenwood. • Purchase KWD-ANK-AK Access Keys if needed. • Battery Life: 3 years (non-serviceable; key must be replaced) | 500.00 |

| INSTALLATION / TUNING CHARGES | | LIST |
|--------------------------------------|---|-------------|
| L-961 | Assemble KMB-23 with six KSC-32K's (Rapid Rate, 120 Volt version only) | 17.00 |
| L-986 | Configure TK-5x10-IS & TK-5x10-ISG for Intrinsically Safe Must order an I.S. battery, KNB-41NC-FM | 100.00 |
| L-987 | Immersion Option Certification (Must purchase Immersion Option Kit, KWD-IM10 separately) | N/C |
| L-989 | KPG-95D/95DG(N) Network Level ID (encrypted data file) | 132.00 |
| L-990 | TK-5x10 & TK-5x10G Portable Programming (Basic TX/RX check only with factory test freq.s or dealer/customer provided KPG-95D/95DG(N) data file) | 125.00 |
| L-1055 | Install KWD-TR20 Trunking Option in TK-5210/5310/5210G/5310G (Must purchase KWD-TR20K separately) | N/C |
| L-1067 | TK-5210/5310 KWD-TR20 FIELD-UPGRADE (Must purchase KWD-TR20 separately) | 42.00 |
| L-1108 | Install KWD-RK20 OTAR Option in TK-5x10 & TK-5x10G Series (Must purchase KWD-RK20 separately) | N/C |
| L-1236 | Install KWD-AE20K in TK-5x10 & TK-5x10G Series Portables (Must purchase module separately) | 75.00 |
| L-1237 | Install KWD-AE21K in TK-5x10 & TK-5x10G Series Portables (Must purchase module separately) | 75.00 |
| L-1559 | Install KWD-DE20K in TK-5x10 & TK-5x10G Series Portables (Must purchase module separately) | 75.00 |
| L-1560 | Install KWD-DE21K in TK-5x10 & TK-5x10G Series Portables (Must purchase module separately) | 75.00 |
| L-1614 | TK-5x10 & TK-5x10G Series Portable KCT-57MS Installation (for P25/FleetSync®) | 20.00 |
| L-1733 | KWD-RK20 Field Upgrade Option for TK-5x10/5x10G/5410 (Must purchase KWD-RK20 separately) | 42.00 |

-- IMPORTANT NOTES --

Encryption modules, key loaders and radios containing encryption are export controlled by the U.S. Department of Commerce Bureau of Industry & Security EAR regulations and may either require an Export License, are eligible for a License Exception (ENC) or are exportable with No License Required (NLR) depending on the country, the consignee and the intended use. High level encryption is a special commodity that may require an export license to most countries. See www.bis.gov for more information regarding export regulations. DO NOT SHIP encryption items outside the U.S. without proper DOC/BIS Export Licenses and/or compliances.

Kenwood may request the following information to be submitted at time of order (this information must meet Kenwood internal approvals prior to shipment even if being returned to Kenwood later:

- a) Initial Destination:** Initial delivery point if different from Ultimate Destination (customer distribution center, headquarters, dealership, manufacturer's representative)
 - * Business/Agency Name:
 - * Address:
 - * Contact Person Name:
 - * Contact Phone:
- b) Ultimate Destination:** Final delivery point(s); deployment/distribution
 - * Business/Agency Name:
 - * Address:
 - * Contact Person Name:
 - * Contact Phone:
- c) Intended Use of Radios:** Law enforcement, security, operations, etc.

KWD-AE20 AES FIPS140-2 SCM , NIST Validation & Customer Shipping

A secure delivery method direct to the end user customer is required by the NIST AES FIPS 140-2 validation rules. For U.S. Federal Government entities the SCM must ship from Kenwood USA Corporation directly to the end user customer by a trusted carrier (FEDEX, UPS or a designated Kenwood USA Corporation employee); shipping/handling by a dealer or other entity is not acceptable. This may or may not be required by local/state government agencies or business/industrial users. Please check with the end use customer about their AES encryption handling requirements before ordering. Kenwood will not be responsible for shipments of KWD-AE20K modules to erroneous destinations specified on an order.

TK-5410

700/800 MHz FM Analog & P25 Digital Portable Radio



All 5410 series portables include:

- Belt Clip (KBH-11)
- Universal Connector Cap
- Instruction Manual
- Premium Warranty: 3 Years*

* All Accessories / options: 1 Year

Order packages to include Battery, Charger & Antenna, or purchase Battery, Charger, and Antenna separately.

Standard Model

16-Character Alphanumeric LCD
4 control keys

12 Keypad Model

16-Character Alphanumeric LCD
4 control keys
DTMF/Function keypad

GENERAL FEATURES

- 3 Watt
- 100 Zones / 1024 Channels
- 12-Key Keypad Model
- Personality Lists
- Backlit Dot Matrix LCD
- 16 Character Alphanumeric Aliases
- 3-Digit Sub-Display
- Function / Status LCD Icons
- RSSI Indicator
- Transmit / Busy / Call Alert / Warn LED
- On/Off Volume Knob
- 16-Position Selector Knob
- 2-Position PF Lever Switch
- 3-Position PF Concentric Switch
- 4 Front Menu-Driven PF Keys
- 3 Side PF Keys
- Orange Emergency / AUX Key
- Zone / Ch Voice Announce
- VOX Ready
- Emergency Features
- Battery Level
- Transceiver Password
- Date & 12/24 Hour Time Clock
- Windows® Programming & Tuning
- Windows® Firmware Uploading
- Voice Guide & Storage (option)
- Weather-Sealed Accessory Connector
- MIL-STD-810 C/D/E/F/G
- IP54/55 Water & Dust Protection
- Immersion (IP66/67/68) Option
- Intrinsically Safe Option

P25 DIGITAL

- P25 Digital Conventional
- P25 Digital Trunking
- AMBE+2™ Enhanced VOCODER
- Talk Group ID Lists
- Individual ID Lists
- Caller ID Display
- Remote Monitor / Check, Radio Inhibit
- Encryption Key Zeroize & Retention
- DES Encryption Option
- AES & DES Encryption Options
- KPG-36AM Radio Program/Soft-Key Loader Cable
- KPG-93 KVL Device Key Loader Cable
- P25 GPS Location
- P25 OTAR Option

SCAN TYPES (FM & P25)

- Single Zone/Multi-Zone Scan
- Scan Lists
- Conventional Scan
- Limited Talk Group Scan
- Priority Monitor Scan
- Dual Priority Scan

FM

- QT / DQT
- Operator Selectable Tone
- DTMF Encode
- Companded Audio
- NPSPAC Channels

* Approved for Classes I, II & III, Div. 1, Groups D, E, F, G and are also approved for non-Incendive use in Class I, Div. 2, Groups A, B, C, D hazardous locations.

Note: Class I, Div 2 Group A & B Gases require use of a portable carrying case.

| PACKAGES | | LIST |
|---------------|--|----------|
| TK-5410K2-NKP | NiMH Battery Package (TK-5410K2 + KNB-54N + KSC-32 + KBH-11+KRA-32K) | 1,851.50 |
| TK-5410K2-LKP | Li-Polymer Package (TK-5410K2 + KNB-43L + KSC-32 + KBH-11+KRA-32K) | 1,927.00 |
| TK-5410K3-NKP | NiMH Battery Package (TK-5410K3 + KNB-54N + KSC-32 + KBH-11+KRA-32K) | 2,009.50 |
| TK-5410K3-LKP | Li-Polymer Package (TK-5410K3 + KNB-43L + KSC-32 + KBH-11+KRA-32K) | 2,085.00 |

| RADIO | | LIST |
|-----------|--|----------|
| TK-5410K2 | 700/800 MHz 3W, 1024 CH, Standard Model | 1,659.00 |
| TK-5410K3 | 700/800 MHz 3W, 1024 CH, 12 Keypad Model | 1,817.00 |

| RADIO | | LIST |
|--------------|---|----------|
| TK-5410K2-YH | 700/800 MHz 3W, 1024 CH, Standard Model (w/ Yellow Housing) [see note 1] | 1,784.00 |
| TK-5410K2-OH | 700/800 MHz 3W, 1024 CH, 12 Keypad Model (w/ Orange Housing) [see note 1] | 1,784.00 |

[Note 1]: These models are stocked in minimum quantities. Please anticipate a 90-day lead time. Contact the order desk to verify availability.

FACTORY MUTUAL (FM) APPROVED MODELS **LIST**

Must Order L-986 & an Intrinsically Safe Battery per radio

| | | |
|--------------|--|----------|
| TK-5410-ISK2 | 700/800 MHz 3W, 1024 CH, Standard Model | 1,659.00 |
| TK-5410-ISK3 | 700/800 MHz 3W, 1024 CH, 12 Keypad Model | 1,817.00 |

ANTENNAS **LIST**

| | | |
|---------|----------------------------|-------|
| KRA-32K | 700/800 MHz Whip Antenna | 35.00 |
| KRA-36 | 700/800 MHz Stubby Antenna | 25.00 |

BATTERIES AND CHARGERS **LIST**

| | | |
|-------------|--|--------|
| KNB-54N | 2500 mAh, Ni-MH battery - requires KSC-32/326K charger [Immersion Option compatible] | 87.50 |
| KNB-33L | 2000 mAh, Li-ion battery - requires KSC-32/326K charger | 105.00 |
| KNB-41NC-FM | 2500 mAh, Ni-MH battery - requires KSC-32/326K charger [FM Intrinsically Safe Option] [Immersion Option compatible] | 136.50 |
| KNB-43L | 3300 mAh, Li-Polymer battery - requires KSC-32/326K charger | 163.00 |
| KNB-49PL | 4500 mAh, Primary Lithium battery Note: Non-Rechargeable (please recycle all batteries properly) 10 year Shelf Life (approx. 1% charge degradation per year when properly stored: +50 °F to +86 °F @ less than 70% humidity) | 84.00 |
| KBP-6 | AA Alkaline Refillable Battery Pack (6 AA; 9V) cells not included Note: the color of the case is orange | 68.50 |
| KSC-32 | Rapid rate single unit charger for KNB-31A/32N/33L/41NC/43L/47L/48L/50NC/54N Note: Includes 110/220V auto-switching AC adapter with U.S.-style line cord plug; requires plug adapter for 220V Euro-style outlets (not supplied). | 70.00 |
| KSC-326K | Rapid rate 6-unit charger for KNB-31A/32N/33L/41NC/43L/47L/48L/50NC/54N | 630.00 |
| KMB-30M | Wall Mount Bracket for KSC-326K/256K | 33.75 |
| KMB-23 | Six Unit Charger Adapter for the KSC-16/20/24/25/25L/32 chargers (chargers not included) | 191.00 |
| KVC-15 | Rapid rate DC vehicular charger adapter for the KSC-32 (chargers not included; includes KSC-mobile bracket & cigarette lighter cable DC adapter) | 119.00 |
| KVC-18 | Vehicular D.C. Charger for 180/5*10 Portables with NiCd or NiMH Battery | 446.50 |
| KVC-20L | Vehicular D.C. Charger for 180/5*0/, NX Portables with Li-ion or Li Polymer Battery | 497.00 |

CARRYING ACCESSORIES **LIST**

| | | |
|-----------|---|-------|
| KBH-11 | Spring action belt clip (2.5") | 14.70 |
| KBH-8DS | Leather belt loop with D-Ring receptacle and D-Ring stud attachment Notes: cannot use belt clip when installed | 26.30 |
| KLH-6SW | Leather belt loop with D-Ring receptacle and D-Ring stud leather case back Notes: converts leather carry case to swivel | 22.00 |
| KLH-133K2 | Heavy duty leather carrying case for TK-5*10 Standard Models | 44.25 |
| KLH-133K3 | Heavy duty leather carrying case for TK-5*10 12 Keypad Models | 44.25 |
| KLH-134K2 | Cordura Nylon carrying case for TK-5*10 Standard Models | 26.30 |
| KLH-134K3 | Cordura Nylon carrying case for TK-5*10 12 Keypad Models | 26.30 |
| KLH-137ST | Firemen's Heavy-Duty Leather Shoulder Strap for a Heavy-Duty Leather Case (KLH-75B/76B/78B/79B//92/122/123/133/148/154) | 36.75 |

| MICROPHONES & AUDIO ACCESSORIES | | LIST |
|---|--|-------------|
| KMC-51M | MIL-SPEC, IP54/55 DSP Digital Noise-canceling Speaker Mic [see note 1] | 250.00 |
| KMC-52W | MIL-SPEC, IP67 (Immersion) DSP Digital Noise-canceling Speaker Mic [see note 1] | 300.00 |
| [note 1]: To adjust microphone settings different from factory default, download KPG-147NC configuration software and special configuration firmware from Kenwood Tools (no charge). | | |
| KMC-41M | MIL-SPEC, IP54/55 Noise-canceling Speaker Mic [Intrinsically Safe Approved Accessory] | 96.50 |
| KMC-42WM | MIL-SPEC, IP67 (Immersion) Noise-canceling Speaker Mic [Intrinsically Safe Approved Accessory] | 114.00 |
| KMC-49 | MIL-SPEC, Speaker Mic. with Antenna Connector [Intrinsically Safe Approved Accessory] | 250.00 |
| Note: 5/16" Coax cable hex wrench included (antenna is not included). | | |
| KEP-1 | 3.5mm earphone kit for KMC-25/26/41M/42WM Speaker Mics [Intrinsically Safe Approved Accessory] | 52.50 |
| KEP-3 | 30" Earphone kit w/ 2.5mm plug for KCT-30 [Intrinsically Safe Approved Accessory] | 51.50 |
| KEP-4 | 48" Earphone kit w/ 2.5mm plug for KCT-30 [Intrinsically Safe Approved Accessory] | 54.75 |
| MICROPHONES & AUDIO ACCESSORIES - CONT'D | | LIST |
| KCT-30 | 2.5mm Audio Accessory Adapter for KEP-3/4 [Intrinsically Safe Approved Accessory] | 64.00 |
| KCT-51 | Hirose 6-pin Adapter (adapts KVL/aftermarket audio acc. to portable connector) [Intrinsically Safe Approved Accessory] | 215.00 |
| KHS-11BE | 2-wire palm mic w/earphone, universal connector (Beige) [Intrinsically Safe Approved Accessory] | 156.50 |
| KHS-11BL | 2-wire palm mic w/earphone, universal connector (Black) [Intrinsically Safe Approved Accessory] | 156.50 |
| KHS-12BE | 3-wire mini lapel mic w/earphone, universal connector (Beige) [Intrinsically Safe Approved Accessory] | 184.00 |
| KHS-12BL | 3-wire mini lapel mic w/earphone, universal connector (Black) [Intrinsically Safe Approved Accessory] | 184.00 |
| KHS-14 | Lt. Wt. Single muff headset w/boom mic & In-line PTT [Intrinsically Safe Approved Accessory] | 126.00 |
| KHS-15-BH | Hvy-duty noise reduction behind-the-headset w/noise cancelling boom mic & in-line PTT [Intrinsically Safe Approved Accessory] | 420.00 |
| KHS-15-OH | Hvy-duty noise reduction over-the-headset w/noise cancelling boom mic & in-line PTT [Intrinsically Safe Approved Accessory] | 368.00 |
| ENVIRONMENTAL SPEC. OPTIONS | | LIST |
| KWD-IM10 | IP 66/67/68 Immersion Option Kit* Must Order L-987 Note: Initial Installation Kenwood Long Beach Tuning Dept. only. To maintain immersion certification, re-certification is required every 2 years available at Kenwood Authorized Service Centers only. Call an ASC for return procedure (\$315.00 List Price) IP 66 (Dust & Water Jet Intrusion), IP 67 (Immersion in 3.3 ft. (1m) depth @ 30 mins), IP 68 (Immersion in 3.3 ft. (1m) depth @ 2 hours) | 368.00 |

| FIRMWARE OPTIONS | LIST |
|-------------------------|-------------|
|-------------------------|-------------|

| | | |
|----------|---|--------|
| KWD-RK20 | OTAR Option for KWD-AE20K Encryption Module in TK-5x10 series (OTAR in P25 Conventional & Trunked Modes) • Requires KWD-AE20K module. • L-1108 (for portable) & L-1109 (for mobile) Installation (no charge) • L-1733 (for portable) & L-1734 (for mobile) Field Upgrade Option Note: • Supports OTAR in P25 Conventional & Trunked modes (Not compatible with GK7 64 CH Model) • Compatible with Motorola KMF P25 OTAR (excludes Motorola-proprietary non-TIA/P25 KMF features) • Requires KPG-95D/DG(N) V7.10 or later for radio programming • TK-5x10 VER2: Requires KPG-95D V5.40 or later for radio programming • TK-5410/5910: Requires KPG-95D V6.00 or later for radio programming • TK-5x10G: Requires KPG-95DG(N) for radio programming • TK-5x10 VER2: Option deletes self-programming, cloning and analog FleetSync® (except PTT ID/Emergency) when installed. KWD-RK20 is an U.S. DOC/BIS Export Controlled Item (ECCN 5D002A) - See IMPORTANT NOTES - | 830.00 |
|----------|---|--------|

| SOFTWARE OPTIONS | LIST |
|-------------------------|-------------|
|-------------------------|-------------|

| | | |
|-----------|--|--------|
| KPG-113AE | AES/DES Encryption Software Key Loader for KWD-DE21K/KWD-AE21K Loads AES & DES keys on capable encryption modules Note: KPG-113AE is a U.S. DOC/BIS Export Controlled Item (ECCN 5D002A) - See IMPORTANT NOTES - | 525.00 |
| KPG-114DE | DES Encryption Software Key Loader for KWD-DE21K/KWD-AE21K Loads DES keys only regardless of encryption module model Note: KPG-114DE is a U.S. DOC/BIS Export Controlled Item (ECCN 5D992A.1) - See IMPORTANT NOTES - | 368.00 |

| OPTION MODULES | LIST |
|-----------------------|-------------|
|-----------------------|-------------|

| | | |
|-----------|---|--------|
| KCT-48VU | External Vibration Unit [Intrinsically Safe Approved Accessory] Note: Audio accessories cannot be used when this option installed. KCT-48VU does not support the P25 digital mode calling or paging features | 49.00 |
| KCT-57MS | Man-Down Internal Tilt Switch (Non-Mercury) [Intrinsically Safe Approved Accessory] - Must be Kenwood installed for I.S. Order L-1614 for FleetSync®/P25 Emergency operations | 22.00 |
| KWD-AE20K | AES FIPS140-2 & DES Encryption Module for TK-5x10, TK-5x10G & TK-5x20 Portables & Mobiles (except K7 Portable) [KWD-AE20K support] - Advanced Encryption Standard (AES): 256-bit symmetric key algorithm; NIST validated per FIPS140-2 - Data Encryption Standard (DES): 56-bit symmetric key algorithm. - 16 Multi-key List (user-selectable / per Personality programming) - Stores: 1024 keys & 1024 Common Key References (CKR) - Must order KWD-RK20 for OTAR capability [Intrinsically Safe Approved Accessory] - Order L-1236 if installation is required. - KWD-AE20K requires: a Motorola KVL3000/+ & KVL-4000 Key Fill Devices and KMF P25 OTAR (excludes Motorola-proprietary non-TIA/P25 KMF features). F/W VA2.0.3 or later supports the KVL4000. - KWD-AE20K is an U.S. DOC/BIS Export Controlled Item (ECCN 5A002A.1) - See IMPORTANT NOTES - | 998.00 |
| KWD-AE21K | AES & DES Encryption Module for TK-5x10, TK-5x10G & TK-5x20 Portables & Mobiles (except K7 Portable) [KWD-AE20K support] - Advanced Encryption Standard (AES): 256-bit symmetric key algorithm; - Data Encryption Standard (DES): 56-bit symmetric key algorithm. - 16 Multi-key List (user-selectable / per Personality programming) - Stores: 1024 keys & 1024 Common Key References (CKR) [Intrinsically Safe Approved Accessory] - Order L-1237 if installation is required. Note: Requires KPG-113AE software key loader or Motorola KVL3000 Plus key loader device. KWD-AE21K is an U.S. DOC/BIS Export Controlled Item (ECCN 5A002A.1) | 998.00 |
| KWD-DE21K | DES Encryption Module for TK-5x10, TK-5x10G & TK-5x20 Portables & Mobiles [KWD-DE21K support] - Data Encryption Standard (DES): 56-bit symmetric key algorithm - 16 Multi-key List (user-selectable / per Personality programming) - Stores: 1024 keys & 1024 Common Key References (CKR) [Intrinsically Safe Approved Accessory] - Order L-1560 if installation is required Note: Requires KPG-114DE or KPG-113AE software key loader or Motorola KVL3000 Plus key loader device. KWD-DE21K is a U.S. DOC/BIS Export Controlled Item (ECCN 5A992A) - See IMPORTANT NOTES - | 578.00 |

| SERVICE RELATED ACCESSORIES | | LIST |
|--------------------------------------|---|-------------|
| KPG-36UM | USB Programming interface cable | 158.50 |
| KPG-93 | KVL-3000/3000 Plus Interface Cable for TK-5x10, TK-5x10G & TK-5x20 Portables | 262.50 |
| KPG-95DGNK | Windows® Programming Software for TK-5x10 & TK-5x10G Portables & Mobiles (Compliant with FCC Part 90 Narrowbanding) Note: Self-programming function is not available. Analog & P25 Conventional Programming A "Dealer-Level" License ID is included with each KPG-95D/DG(N)K which only permits full analog conventional and P25 conventional programming. Data files created with a "Network-Level Licensed" KPG-95D/95DG(N) and containing P25 programmed P25 trunked network parameters can be loaded and viewed with a Dealer-Level Licensed KPG-95D/DG(N)K, but the trunked network parameters cannot be changed. P25 Trunked Programming Capability (licensed by either 1 or 2 below): 1. KPG-95DG(N)K with System Key File (*.SKF)- See L-989 • For all TK-5x10 radio platforms (VER1, 2, 3 or later). • 3-digit HEX System ID (HSID) and verifiable written authorization required from trunked system operator (SYSOP). • Purchase KPG-95DG(N)K & L-989 Network-Level License ID • Kenwood ships an encrypted *.SKF file on CD ROM • The *.SKF securely embeds/encrypts the 16-digit Network Level License ID & the HSID. 2. KPG-95DG(N)K with Advanced Network Keys (ANK's) • For TK-5x10G/5410/5910 VER 3 or later radio platforms only. • SYSOPs: Refer to KWD-ANK-MK Master Key • Dealers/contractors: Refer to KWD-ANK-AK Access Key • KPG-95DG(N)K (V7.0 or later) supports up to 16 KWD-ANK-AK Access Keys (16 trunked networks) | 628.00 |
| KWD-ANK-AK | Access Key for KPG-95DG(N)K P25 trunked programming Notes: • For TK-5x10G/5410/5910 VER 3 or later radio platforms only • Must be activated by a SYSOP with KWD-ANK-MK Master Key. • Must have KPG-95DG(N)K (V7.0 or later); L-989 is NOT required. • Battery Life: 3 years (non-serviceable; key must be replaced) | 208.00 |
| KWD-ANK-MK | Master Key for activating KWD-ANK-AK Access Keys - Restricted Purchase Requirements - Notes: • For TK-5x10G/5410/5910 VER 3 or later radio platforms only. • Sold to SYSOP or SYSOP authorized entities only • Must have KPG-95DG(N)K (V7.0 or later) with L-989 Network-Level License ID • SYSOP must provide 3-digit HEX HSID to Kenwood. • Purchase KWD-ANK-AK Access Keys if needed. • Battery Life: 3 years (non-serviceable; key must be replaced) | 500.00 |
| INSTALLATION / TUNING CHARGES | | LIST |
| L-961 | Assemble KMB-23 with six KSC-32K's (Rapid Rate, 120 Volt version only) | 17.00 |
| L-986 | Configure TK-5210-IS/TK-5310-IS/TK-5410-IS for Intrinsically Safe Must order an I.S. battery, KNB-41NC-FM | 100.00 |
| L-987 | Immersion Option Certification (Must purchase Immersion Option Kit, KWD-IM10 separately) | N/C |
| L-989 | KPG-95D/95DG(N) Network Level ID (encrypted data file) Note: Enables Trunked system programming privileges in a KPG-95DG(N)K. - Restricted Purchase Requirements - • 3-Digit HEX System ID (HSID) from SYSOP required • Must Purchase KPG-95DG(N)K (V7.0 or later) with L-989 • Kenwood ships an encrypted *.SKF file on CD ROM • Non-SYSOP entities ordering L-989 must provide verifiable written authorization from SYSOP to receive an *.SKF file. • The 16-digit Network Level License ID & 3-digit HEX HSID are securely encrypted & embedded in the *.SKF file. | 132.00 |
| L-990 | TK-5*10 Programming (Basic TX/RX check only with factory test freq.s or dealer/customer provided KPG-95D/DG(N) data file) | 125.00 |
| L-1236 | Install KWD-AE20K in TK-5*10 Portables (Must purchase module separately) | 75.00 |
| L-1237 | Install KWD-AE21K in TK-5*10 Portables (Must purchase module separately) | 75.00 |
| L-1560 | Install KWD-DE21K in TK-5*10 Portables (Must purchase module separately) | 75.00 |
| L-1614 | 5*10 Portable KCT-57MS Installation (for P25) | 20.00 |
| L-1733 | KWD-RK20 Field Upgrade Option for TK-5x10G & 5410 (Must purchase KWD-RK20 separately) | 42.00 |

-- IMPORTANT NOTES --

Encryption modules, key loaders and radios containing encryption are export controlled by the U.S. Department of Commerce Bureau of Industry & Security EAR regulations and may either require an Export License, are eligible for a License Exception (ENC) or are exportable with No License Required (NLR) depending on the country, the consignee and the intended use. High level encryption is a special commodity that may require an export license to most countries. See www.bis.gov for more information regarding export regulations. DO NOT SHIP encryption items outside the U.S. without proper DOC/BIS Export Licenses and/or compliances.

Kenwood may request the following information to be submitted at time of order (this information must meet Kenwood internal approvals prior to shipment even if being returned to Kenwood later:

a) Initial Destination: Initial delivery point if different from Ultimate Destination
(customer distribution center, headquarters, dealership, manufacturer's representative)

* Business/Agency Name:

* Address:

* Contact Person Name:

* Contact Phone:

b) Ultimate Destination: Final delivery point(s); deployment/distribution

* Business/Agency Name:

* Address:

* Contact Person Name:

* Contact Phone:

c) Intended Use of Radios: Law enforcement, security, operations, etc.

KWD-AE20 AES FIPS140-2 SCM , NIST Validation & Customer Shipping

A secure delivery method direct to the end user customer is required by the NIST AES FIPS 140-2 validation rules. For U.S. Federal Government entities the SCM must ship from Kenwood USA Corporation directly to the end user customer by a trusted carrier (FEDEX, UPS or a designated Kenwood USA Corporation employee); shipping/handling by a dealer or other entity is not acceptable. This may or may not be required by local/state government agencies or business/industrial users. Please check with the end use customer about their AES encryption handling requirements before ordering. Kenwood will not be responsible for shipments of KWD-AE20K modules to erroneous destinations specified on an order.

TK-5410D
700/800 MHz FM Analog & P25 Digital Portable Radio



All 5410D series portables include:

- Belt Clip (KBH-11)
- Universal Connector Cap
- Instruction Manual
- Premium Warranty: 3 Years*

* All Accessories / options: 1 Year

Order packages to include Battery, Charger & Antenna, or purchase Battery, Charger, and Antenna separately.

Standard Model

16-Character Alphanumeric LCD
4 control keys

12 Keypad Model

16-Character Alphanumeric LCD
4 control keys
DTMF/Function keypad

GENERAL FEATURES

- 3 Watt
- 100 Zones / 1024 Channels
- 12-Key Keypad Model
- Personality Lists
- Backlit Dot Matrix LCD
- 16 Character Alphanumeric Aliases
- 3-Digit Sub-Display
- Function / Status LCD Icons
- RSSI Indicator
- Transmit / Busy / Call Alert / Warn LED
- On/Off Volume Knob
- 16-Position Selector Knob
- 2-Position PF Lever Switch
- 3-Position PF Concentric Switch
- 4 Front Menu-Driven PF Keys
- 3 Side PF Keys
- Orange Emergency / AUX Key
- Zone / Ch Voice Announcement
- VOX Ready
- Emergency Features
- Battery Level
- Transceiver Password
- Date & 12/24 Hour Time Clock
- KPG-95DG/DGN Windows® FPU
- Flash Firmware Upgrading
- VGS-1 Voice Guide & Storage
- Weather-Sealed Accessory Connector
- MIL-STD-810 C/D/E/F/G
- IP54/55/66 Water & Dust Intrusion
- IP67/68 Immersion

P25 DIGITAL

- P25 Conventional
- P25 Phase 1 Trunking
- P25 Phase 2 Trunking
- AMBE+2™ Enhanced VOCODER
- Talk Group ID Lists
- Individual ID Lists
- Caller ID Display
- Remote Monitor / Check, Radio Inhibit
- Encryption Key Zeroize & Retention
- DES Encryption Module Option
- AES & DES Encryption Module Option
- P25 GPS Location
- P25 OTAR Option

SCAN TYPES (FM & P25)

- Single Zone/Multi-Zone Scan
- Scan Lists
- Conventional Scan
- Limited Talk Group Scan
- Priority Monitor Scan
- Dual Priority Scan

FM

- QT / DQT
- Operator Selectable Tone
- DTMF Encode
- Companded Audio
- NPSPAC Channels

| PACKAGES | | LIST |
|-----------------|---|-------------|
| TK-5410DK2-NKP | NiMH Battery Package (TK-5410DK2 + KNB-54N + KSC-32 + KBH-11+KRA-32K) | 2,360.00 |
| TK-5410DK2-LKP | Li-Polymer Package (TK-5410DK2 + KNB-43L + KSC-32 + KBH-11+KRA-32K) | 2,435.00 |
| TK-5410DK3-NKP | NiMH Battery Package (TK-5410DK3 + KNB-54N + KSC-32 + KBH-11+KRA-32K) | 2,515.00 |
| TK-5410DK3-LKP | Li-Polymer Package (TK-5410DK3 + KNB-43L + KSC-32 + KBH-11+KRA-32K) | 2,590.00 |

| RADIO | | LIST |
|--------------|--|-------------|
| TK-5410DK2 | 700/800 MHz 3W, 1024 CH, Standard Model | 2,200.00 |
| TK-5410DK3 | 700/800 MHz 3W, 1024 CH, 12 Keypad Model | 2,358.33 |

| RADIO (Special Color Housing) | | LIST |
|--------------------------------------|---|-------------|
| TK-5410DK2-YH | 700/800 MHz 3W, 1024 CH, Standard Model (w/ Yellow Housing) [see note 1] | 2,325.00 |
| TK-5410DK2-OH | 700/800 MHz 3W, 1024 CH, 12 Keypad Model (w/ Orange Housing) [see note 1] | 2,325.00 |

[Note 1]: These models are stocked in minimum quantities. Please anticipate a minimum 90-day lead time. Contact the order desk to verify availability.

| ANTENNAS | | LIST |
|---|--|-------------|
| KRA-32K | 700/800 MHz Whip Antenna | 35.00 |
| KRA-36 | 700/800 MHz Stubby Antenna | 25.00 |
| BATTERIES AND CHARGERS | | LIST |
| KBP-6 | AA Alkaline Refillable Battery Pack (6 AA; 9V) cells not included Note: the color of the case is orange | 68.50 |
| KMB-23 | Six Unit Charger Adapter for the KSC-16/20/24/25/25L/32 chargers (chargers not included) | 191.00 |
| KMB-30M | Wall Mount Bracket for KSC-326K/256K | 33.75 |
| KNB-33L | 2000 mAh, Li-ion battery - requires KSC-32/326K charger | 105.00 |
| KNB-43L | 3300 mAh, Li-Polymer battery - requires KSC-32/326K charger | 163.00 |
| KNB-49PL | 4500 mAh, Primary Lithium battery Note: Non-Rechargeable (please recycle all batteries properly) 10 year Shelf Life (approx. 1% charge degradation per year when properly stored: +50 °F to +86 °F @ less than 70% humidity) | 84.00 |
| KNB-54N | 2500 mAh, Ni-MH battery - requires KSC-32/326K charger [Immersion Option compatible] | 87.50 |
| KSC-32 | Rapid rate single unit charger for KNB-31A/32N/33L/41NC/43L/47L/48L/50NC/54N Note: Includes 110/220V auto-switching AC adapter with U.S.-style line cord plug; requires plug adapter for 220V Euro-style outlets (not supplied). | 70.00 |
| KSC-326K | Rapid rate 6-unit charger for KNB-31A/32N/33L/41NC/43L/47L/48L/50NC/54N | 630.00 |
| KVC-15 | Rapid rate DC vehicular charger adapter for the KSC-32 (chargers not included; includes KSC-mobile bracket & cigarette lighter cable DC adapter) | 119.00 |
| KVC-18 | Vehicular D.C. Charger for 180/5*10 Portables with NiCd or NiMH Battery | 446.50 |
| KVC-20L | Vehicular D.C. Charger for 180/5**0/, NX Portables with Li-ion or Li Polymer Battery | 497.00 |
| CARRYING ACCESSORIES | | LIST |
| KBH-11 | Spring action belt clip (2.5") | 14.70 |
| KBH-8DS | Leather belt loop with D-Ring receptacle and D-Ring stud attachment Notes: cannot use belt clip when installed | 26.30 |
| KLH-133K2 | Heavy duty leather carrying case for TK-5*10 Standard Models | 44.25 |
| KLH-133K3 | Heavy duty leather carrying case for TK-5*10 12 Keypad Models | 44.25 |
| KLH-134K2 | Cordura Nylon carrying case for TK-5*10 Standard Models | 26.30 |
| KLH-134K3 | Cordura Nylon carrying case for TK-5*10 12 Keypad Models | 26.30 |
| KLH-137ST | Firemen's Heavy-Duty Leather Shoulder Strap for a Heavy-Duty Leather Case (KLH-75B/76B/78B/79B//92/122/123/133/148/154) | 36.75 |
| KLH-6SW | Leather belt loop with D-Ring receptacle and D-Ring stud leather case back Notes: converts leather carry case to swivel | 22.00 |
| MICROPHONES & AUDIO ACCESSORIES (For FDMA & TDMA Operations) | | LIST |
| KMC-42WD | MIL-SPEC, IP67 (Immersion) Noise-canceling Speaker Mic | 114.00 |
| KMC-47GPSD | GPS Speaker Microphone | 290.00 |
| KMC-51D | MIL-SPEC, IP54/55 DSP Digital Noise-canceling Speaker Mic [see note 1] | 250.00 |
| KMC-52WD | MIL-SPEC, IP67 (Immersion) DSP Digital Noise-canceling Speaker Mic [see note 1] | 300.00 |

| MICROPHONES & AUDIO ACCESSORIES (For FDMA Operations) | | LIST |
|--|---|-------------|
| KCT-30 | 2.5mm Audio Accessory Adapter for KEP-3/4 | 64.00 |
| KCT-51 | Hirose 6-pin Adapter (adapts KVL/aftermarket audio acc. to portable connector) | 215.00 |
| KEP-1 | 3.5mm earphone kit for KMC-25/26/41M/42WM Speaker Mics | 52.50 |
| KEP-3 | 30" Earphone kit w/ 2.5mm plug for KCT-30 | 51.50 |
| KEP-4 | 48" Earphone kit w/ 2.5mm plug for KCT-30 | 54.75 |
| KHS-11BE | 2-wire palm mic w/earphone, universal connector (Beige) | 156.50 |
| KHS-11BL | 2-wire palm mic w/earphone, universal connector (Black) | 156.50 |
| KHS-12BE | 3-wire mini lapel mic w/earphone, universal connector (Beige) | 184.00 |
| KHS-12BL | 3-wire mini lapel mic w/earphone, universal connector (Black) | 184.00 |
| KHS-14 | Lt. Wt. Single muff headset w/boom mic & In-line PTT | 126.00 |
| KHS-15-BH | Hvy-duty noise reduction behind-the-headset w/noise cancelling boom mic & in-line PTT | 420.00 |
| KHS-15-OH | Hvy-duty noise reduction over-the-headset w/noise cancelling boom mic & in-line PTT | 368.00 |
| KMC-41M | MIL-SPEC, IP54/55 Noise-canceling Speaker Mic | 96.50 |
| KMC-42WM | MIL-SPEC, IP67 (Immersion) Noise-canceling Speaker Mic | 114.00 |
| KMC-49 | MIL-SPEC, Speaker Mic. with Antenna Connector Note: 5/16" Coax cable hex wrench included (antenna is not included). | 250.00 |
| KMC-51M | MIL-SPEC, IP54/55 DSP Digital Noise-canceling Speaker Mic [see note 1] | 250.00 |
| KMC-52W | MIL-SPEC, IP67 (Immersion) DSP Digital Noise-canceling Speaker Mic [see note 1] | 300.00 |

[note 1]: To adjust microphone settings different from factory default, download KPG-147NC configuration software and special configuration firmware from Kenwood Tools (no charge).

| FIRMWARE OPTIONS | | LIST |
|-------------------------|--|-------------|
| KWD-RK20 | OTAR Option for KWD-AE20K Encryption Module in TK-5x10 series (OTAR in P25 Conventional & Trunked Modes) <ul style="list-style-type: none"> • Requires KWD-AE20K module. • L-1108 Installation (no charge) • L-1733 Field Upgrade Option Note: <ul style="list-style-type: none"> • Supports OTAR in P25 Conventional & Trunked modes • Compatible with Motorola KMF P25 OTAR (excludes Motorola-proprietary non-TIA/P25 KMF features) • Requires KPG-95DG(N) V8.00 or later for radio programming <p>KWD-RK20 is an U.S. DOC/BIS Export Controlled Item (ECCN 5D002A) - See IMPORTANT NOTES -</p> | 830.00 |

| SOFTWARE OPTIONS | | LIST |
|-------------------------|--|-------------|
| KPG-113AE | AES/DES Encryption Software Key Loader for KWD-DE21K/KWD-AE21K Loads AES & DES keys on capable encryption modules Note: KPG-113AE is a U.S. DOC/BIS Export Controlled Item (ECCN 5D002A) - See IMPORTANT NOTES - | 525.00 |
| KPG-114DE | DES Encryption Software Key Loader for KWD-DE21K/KWD-AE21K Loads DES keys only regardless of encryption module model Note: KPG-114DE is a U.S. DOC/BIS Export Controlled Item (ECCN 5D992A.1) - See IMPORTANT NOTES - | 368.00 |

| OPTION MODULES | | LIST |
|-----------------------|--|-------------|
| KCT-48VU | External Vibration Unit Note: Audio accessories cannot be used when this option installed. KCT-48VU does not support the P25 digital mode calling or paging features | 49.00 |
| KCT-57MS | Man-Down Internal Tilt Switch (Non-Mercury) Must be Kenwood installed for I.S. Order L-1614 for P25 Emergency operations | 22.00 |
| KWD-AE20K | AES FIPS140-2 & DES Encryption Module [KWD-AE20K support] - Advanced Encryption Standard (AES): 256-bit symmetric key algorithm; NIST validated per FIPS140-2 - Data Encryption Standard (DES): 56-bit symmetric key algorithm. - 16 Multi-key List (user-selectable / per Personality programming) - Stores: 1024 keys & 1024 Common Key References (CKR) - Must order KWD-RK20 for OTAR capability - Order L-1236 if installation is required. - KWD-AE20K requires: a Motorola KVL3000/+ & KVL-4000 Key Fill Devices and KMF P25 OTAR (excludes Motorola-proprietary non-TIA/P25 KMF features). F/W VA2.0.3 or later supports the KVL4000. - KWD-AE20K is an U.S. DOC/BIS Export Controlled Item (ECCN 5A002A.1) - See IMPORTANT NOTES - | 998.00 |
| KWD-AE21K | AES & DES Encryption Module [KWD-AE20K support] - Advanced Encryption Standard (AES): 256-bit symmetric key algorithm; - Data Encryption Standard (DES): 56-bit symmetric key algorithm. - 16 Multi-key List (user-selectable / per Personality programming) - Stores: 1024 keys & 1024 Common Key References (CKR) - Order L-1237 if installation is required. Note: Requires KPG-113AE software key loader or Motorola KVL3000 Plus key loader device. KWD-AE21K is an U.S. DOC/BIS Export Controlled Item (ECCN 5A002A.1) - See IMPORTANT NOTES - | 998.00 |
| KWD-DE21K | DES Encryption Module - Data Encryption Standard (DES): 56-bit symmetric key algorithm - 16 Multi-key List (user-selectable / per Personality programming) - Stores: 1024 keys & 1024 Common Key References (CKR) - Order L-1560 if installation is required Note: Requires KPG-114DE or KPG-113AE software key loader or Motorola KVL3000 Plus key loader device. KWD-DE21K is a U.S. DOC/BIS Export Controlled Item (ECCN 5A992A) - See IMPORTANT NOTES - | 578.00 |

| SERVICE RELATED ACCESSORIES | | LIST |
|------------------------------------|---|-------------|
| KPG-36UM | USB Programming interface cable | 158.50 |
| KPG-93 | KVL-3000/3000 Plus Interface Cable | 262.50 |
| KPG-95DGNK | Windows® Programming Software (Compliant with FCC Part 90 Narrowbanding) Note: Self-programming function is not available. Analog & P25 Conventional Programming A "Dealer-Level" License ID is included with each KPG-95D/DG(N)K which only permits full analog conventional and P25 conventional programming. Data files created with a "Network-Level Licensed" KPG-95D/95DG(N) and containing P25 programmed P25 trunked network parameters can be loaded and viewed with a Dealer-Level Licensed KPG-95D/DG(N)K, but the trunked network parameters cannot be changed. P25 Phase 2 Trunked Programming • Order (L-1744) if P25 Phase 2 trunked programming is required. P25 Trunked Programming Capability (licensed by either 1 or 2 below): 1. KPG-95DG(N)K with System Key File (*.SKF)- See L-989 • For all TK-5x10 radio platforms (VER1, 2, 3 or later). • 3-digit HEX System ID (HSID) and verifiable written authorization required from trunked system operator (SYSOP). • Purchase KPG-95DG(N)K & L-989 Network-Level License ID • Kenwood ships an encrypted *.SKF file on CD ROM • The *.SKF securely embeds/encrypts the 16-digit Network Level License ID & the HSID. 2. KPG-95DG(N)K with Advanced Network Keys (ANK's) • For TK-5x10G/5410/5910 VER 3 or later radio platforms only. • SYSOPs: Refer to KWD-ANK-MK Master Key • Dealers/contractors: Refer to KWD-ANK-AK Access Key • KPG-95DG(N)K (V7.0 or later) supports up to 16 KWD-ANK-AK Access Keys (16 trunked networks). | 628.00 |

| | |
|---|-------------|
| SERVICE RELATED ACCESSORIES - CONT'D | LIST |
|---|-------------|

| | | |
|------------|---|--------|
| KWD-ANK-AK | Access Key for KPG-95DG(N)K P25 trunked programming Notes: <ul style="list-style-type: none"> • For TK-5x10G/5410(D)/5910 VER 3 or later radio platforms only • Must be activated by a SYSOP with KWD-ANK-MK Master Key. • Must have KPG-95DG(N)K (V7.0 or later); L-989 is NOT required. • Battery Life: 3 years (non-serviceable; key must be replaced) | 208.00 |
|------------|---|--------|

| | | |
|------------|--|--------|
| KWD-ANK-MK | Master Key for activating KWD-ANK-AK Access Keys - Restricted Purchase Requirements - Notes: <ul style="list-style-type: none"> • For TK-5x10G/5410(D)/5910 VER 3 or later radio platforms only. • Sold to SYSOP or SYSOP authorized entities only • Must have KPG-95DG(N)K (V7.0 or later) with L-989 Network-Level License ID • SYSOP must provide 3-digit HEX HSID to Kenwood. • Purchase KWD-ANK-AK Access Keys if needed. • Battery Life: 3 years (non-serviceable; key must be replaced) | 500.00 |
|------------|--|--------|

| | |
|--------------------------------------|-------------|
| INSTALLATION / TUNING CHARGES | LIST |
|--------------------------------------|-------------|

| | | |
|--------|--|--------|
| L-961 | Assemble KMB-23 with six KSC-32K's (Rapid Rate, 120 Volt version only) | 17.00 |
| L-989 | KPG-95D/95DG(N) Network Level ID (encrypted data file) Note: Enables Trunked system programming privileges in a KPG-95DG(N)K. - Restricted Purchase Requirements - <ul style="list-style-type: none"> • 3-Digit HEX System ID (HSID) from SYSOP required • Must Purchase KPG-95DG(N)K (V7.0 or later) with L-989 • Kenwood ships an encrypted *.SKF file on CD ROM • Non-SYSOP entities ordering L-989 must provide verifiable written authorization from SYSOP to receive an *.SKF file. • The 16-digit Network Level License ID & 3-digit HEX HSID are securely encrypted & embedded in the *.SKF file. | 132.00 |
| L-990 | TK-5*10D Programming (Basic TX/RX check only with factory test freq.s or dealer/customer provided KPG-95D/DG(N) data file) | 125.00 |
| L-1236 | Install KWD-AE20K in TK-5*10 Portables (Must purchase module separately) | 75.00 |
| L-1237 | Install KWD-AE21K in TK-5*10 Portables (Must purchase module separately) | 75.00 |
| L-1560 | Install KWD-DE21K in TK-5*10 Portables (Must purchase module separately) | 75.00 |
| L-1614 | 5*10 Portable KCT-57MS Installation (for P25) | 20.00 |
| L-1733 | KWD-RK20 Field Upgrade Option (Must purchase KWD-RK20 separately) | 42.00 |
| L-1774 | P25 Phase 2 Trunked Programming Software (Must purchase KPG-95DG(N)K separately) | N/C |

-- IMPORTANT NOTES --

IP66/67/68 IMMERSION re-certification

To maintain immersion certification, re-certification is required every 2 years available at Kenwood Authorized Service Centers only. Call an ASC for return procedure (\$315.00 List Price)

IP 66 (Dust & Water Jet Intrusion), IP 67 (Immersion in 3.3 ft. (1m) depth @ 30 mins),
IP 68 (Immersion in 3.3 ft. (1m) depth @ 2 hours)

Encryption modules, key loaders and radios containing encryption are export controlled by the U.S. Department of Commerce Bureau of Industry & Security EAR regulations and may either require an Export License, are eligible for a License Exception (ENC) or are exportable with No License Required (NLR) depending on the country, the consignee and the intended use. High level encryption is a special commodity that may require an export license to most countries. See www.bis.gov for more information regarding export regulations. DO NOT SHIP encryption items outside the U.S. without proper DOC/BIS Export Licenses and/or compliances.

Kenwood may request the following information to be submitted at time of order (this information must meet Kenwood internal approvals prior to shipment even if being returned to Kenwood later:

a) Initial Destination: Initial delivery point if different from Ultimate Destination
(customer distribution center, headquarters, dealership, manufacturer's representative)

* Business/Agency Name:

* Address:

* Contact Person Name:

* Contact Phone:

b) Ultimate Destination: Final delivery point(s); deployment/distribution

* Business/Agency Name:

* Address:

* Contact Person Name:

* Contact Phone:

c) Intended Use of Radios: Law enforcement, security, operations, etc.

KWD-AE20 AES FIPS140-2 SCM , NIST Validation & Customer Shipping

A secure delivery method direct to the end user customer is required by the NIST AES FIPS 140-2 validation rules. For U.S. Federal Government entities the SCM must ship from Kenwood USA Corporation directly to the end user customer by a trusted carrier (FEDEX, UPS or a designated Kenwood USA Corporation employee); shipping/handling by a dealer or other entity is not acceptable. This may or may not be required by local/state government agencies or business/industrial users. Please check with the end use customer about their AES encryption handling requirements before ordering. Kenwood will not be responsible for shipments of KWD-AE20K modules to erroneous destinations specified on an order.

TK-5220/5320

VHF/UHF FM Analog & P25 Digital Portable Radios



All 5X20 series portables include:

- Belt Clip (KBH-11)
- Universal Connector Cap
- Instruction Manual
- Premium Warranty: 3 Years*

* All Accessories / options: 1 Year

Order packages to include Battery & Charger, or purchase Battery, Charger, and Antenna separately.

GENERAL FEATURES

- 5 Watt (136-174 MHz)
- 5 Watt (400-470, 450-520, 380-400 MHz)
- 128 Zones / 512 Channels
- Backlit Dot Matrix LCD
- 14 Character Alphanumeric Aliases
- 3-Digit Sub-Display
- Function / Status LCD Icons
- RSSI Indicator
- Transmit / Busy / Call Alert / Warn LED
- On/Off Volume Knob
- 16-Position Selector Knob
- 4 Front Menu-Driven PF Keys
- 2 Side PF Keys
- Orange Emergency / AUX Key
- 12-Keypad Models
- VOX Ready
- Emergency Features
- Battery Level
- Transceiver Password
- Date & 12/24 Hour Time Clock
- Windows® Programming & Tuning
- Windows® Firmware Uploading
- Easy Option Port
- Voice Guide & Storage (option)
- Weather-Sealed Accessory Connector
- MIL-STD-810 C/D/E/F/G
- IP54/55 Water & Dust Protection
- Immersion (IP67) Option
- Intrinsically Safe Option **

P25 DIGITAL

- P25 Digital Conventional
- AMBE+2™ Enhanced VOCODER
- Talk Group ID Lists
- Individual ID Lists
- Caller ID Display
- Remote Monitor / Check, Radio Inhibit
- Encryption Key Zeroize and Retention
- DES Encryption Options
- AES & DES Encryption Options
- KPG-93 KVL Key Loader Interface Cable
- P25 Digital Trunking Option

SCAN TYPES (FM & P25)

- Single Zone/Multi-Zone Scan
- Scan Lists
- Conventional Scan
- Limited Talk Group Scan
- Priority Monitor Scan
- Dual Priority Scan

ANALOG

- QT / DQT
- Operator Selectable Tone
- Two-Tone Decode / Encode
- DTMF Encode / Decode / Stun
- Special Alert Tone Patterns
- Companded Audio

FleetSync® /II (FM)

- PTT ID Digital ANI
- Caller ID Display
- Status Messaging
- Emergency & Stun Statuses
- Selective & Group Call
- Text Messaging
- Send/Display GPS (KPG-47GPS)

MDC-1200

- PTT ID Digital ANI
- Caller ID Display
- Emergency Status
- Radio Check
- Radio Inhibit

** Approved for Classes I, II & III, Div. 1, Groups C, D, E, F, G and are also approved for non-incendive use in Class I, Div. 2, Groups A, B, C, D hazardous locations.

Note: Class I, Div 2 Group A & B Gases require use of a portable carrying case.
TK-5320K5 & K6 (380-400MHz) are NOT approved by FM as Intrinsically Safe

| PACKAGES | | LIST |
|----------------|---|----------|
| TK-5220K-LKP | VHF Li-Ion Battery Package (TK-5220K + KNB-47L + KSC-32 + KBH-11) | 1,075.00 |
| TK-5220K-LHKP | VHF Hi Cap Li-Ion Battery Package (TK-5220K + KNB-48L + KSC-32 + KBH-11) | 1,092.50 |
| TK-5320K-LKP | UHF Li-Ion Battery Package (TK-5320K + KNB-47L + KSC-32 + KBH-11) | 1,075.00 |
| TK-5320K-LHKP | UHF Hi Cap Li-Ion Battery Package (TK-5320K + KNB-48L + KSC-32 + KBH-11) | 1,092.50 |
| TK-5320K2-LKP | UHF Li-Ion Battery Package (TK-5320K2 + KNB-47L + KSC-32 + KBH-11) | 1,075.00 |
| TK-5320K2-LHKP | UHF Hi Cap Li-Ion Battery Package (TK-5320K2 + KNB-48L + KSC-32 + KBH-11) | 1,092.50 |

| RADIO | | LIST |
|--|---|-------------|
| TK-5220K | 136-174MHz 5W, 14 characters Alphanumeric LCD, 6 Control Keys | 900.00 |
| TK-5220K2 | 136-174MHz 5W, 14 characters Alphanumeric LCD, Full Keypad | 950.00 |
| TK-5320K | 450-520MHz 5W, 14 characters Alphanumeric LCD, 6 Control Keys | 900.00 |
| TK-5320K2 | 400-470MHz 5W, 14 characters Alphanumeric LCD, 6 Control Keys | 900.00 |
| TK-5320K3 | 450-520MHz 5W, 14 characters Alphanumeric LCD, Full Keypad | 950.00 |
| TK-5320K4 | 400-470MHz 5W, 14 characters Alphanumeric LCD, Full Keypad | 950.00 |
| TK-5320K5 | 380-400MHz 5W, 14 characters Alphanumeric LCD, 6 Control Keys [For Direct U.S. Federal Government & Export Sales Only] | 900.00 |
| TK-5320K6 | 380-400MHz 5W, 14 characters Alphanumeric LCD, Full Keypad [For Direct U.S. Federal Government & Export Sales Only] | 950.00 |
| IP67 (Immersion) Package Models | | |
| TK-5220-WK | 136-174MHz 5W, 14 characters Alphanumeric LCD, 6 Control Keys [see note 1] | 1,084.00 |
| TK-5220-WK2 | 136-174MHz 5W, 14 characters Alphanumeric LCD, Full Keypad [see note 1] | 1,134.00 |
| TK-5320-WK | 450-520MHz 5W, 14 characters Alphanumeric LCD, 6 Control Keys [see note 1] | 1,084.00 |
| TK-5320-WK2 | 400-470MHz 5W, 14 characters Alphanumeric LCD, 6 Control Keys [see note 1] | 1,084.00 |
| TK-5320-WK3 | 450-520MHz 5W, 14 characters Alphanumeric LCD, Full Keypad [see note 1] | 1,134.00 |
| TK-5320-WK4 | 400-470MHz 5W, 14 characters Alphanumeric LCD, Full Keypad [see note 1] | 1,134.00 |
| TK-5320-WK5 | 380-400MHz 5W, 14 characters Alphanumeric LCD, 6 Control Keys [see note 1] | 1,084.00 |
| TK-5320-WK6 | 380-400MHz 5W, 14 characters Alphanumeric LCD, Full Keypad [see note 1] | 1,134.00 |
| IP67 Custom Color Radio Housing | | |
| TK-5220-WK-YH | TK-5220-WK with Yellow Housing Option Installed [see note 1] | 1,150.00 |
| TK-5220-WK-OH | TK-5220-WK with Orange Housing Option Installed [see note 1] | 1,150.00 |
| TK-5320-WK-YH | TK-5320-WK with Yellow Housing Option Installed [see note 1] | 1,150.00 |
| TK-5320-WK-OH | TK-5320-WK with Orange Housing Option Installed [see note 1] | 1,150.00 |
| TK-5320-WK2-YH | TK-5320-WK2 with Yellow Housing Option Installed [see note 1] | 1,150.00 |
| TK-5320-WK2-OH | TK-5320-WK2 with Orange Housing Option Installed [see note 1] | 1,150.00 |
| TK-5320-WK5-YH | TK-5320-WK5 with Yellow Housing Option Installed [see note 1] | 1,150.00 |
| TK-5320-WK5-OH | TK-5320-WK5 with Orange Housing Option Installed [see note 1] | 1,150.00 |
| FACTORY MUTUAL (FM) APPROVED MODELS | | LIST |
| Must Order L-1647 & an Intrinsically Safe Battery per radio | | |
| TK-5220-ISK | 136-174MHz 5W, 14 characters Alphanumeric LCD, 6 Control Keys | 900.00 |
| TK-5220-ISK2 | 136-174MHz 5W, 14 characters Alphanumeric LCD, Full Keypad | 950.00 |
| TK-5320-ISK | 450-520MHz 5W, 14 characters Alphanumeric LCD, 6 Control Keys | 900.00 |
| TK-5320-ISK2 | 400-470MHz 5W, 14 characters Alphanumeric LCD, 6 Control Keys | 900.00 |
| TK-5320-ISK3 | 450-520MHz 5W, 14 characters Alphanumeric LCD, Full Keypad | 950.00 |
| TK-5320-ISK4 | 400-470MHz 5W, 14 characters Alphanumeric LCD, Full Keypad | 950.00 |
| IP67 (Immersion) Package Models | | |
| TK-5220-ISWK | 136-174MHz 5W, 14 characters Alphanumeric LCD, 6 Control Keys [see note 1] | 1,084.00 |
| TK-5220-ISWK2 | 136-174MHz 5W, 14 characters Alphanumeric LCD, Full Keypad [see note 1] | 1,134.00 |
| TK-5320-ISWK | 450-520MHz 5W, 14 characters Alphanumeric LCD, 6 Control Keys [see note 1] | 1,084.00 |
| TK-5320-ISWK2 | 400-470MHz 5W, 14 characters Alphanumeric LCD, 6 Control Keys [see note 1] | 1,084.00 |
| TK-5320-ISWK3 | 450-520MHz 5W, 14 characters Alphanumeric LCD, Full Keypad [see note 1] | 1,134.00 |
| TK-5320-ISWK4 | 400-470MHz 5W, 14 characters Alphanumeric LCD, Full Keypad [see note 1] | 1,134.00 |
| IP67 Custom Color Radio Housing | | |
| TK-5220-ISWKYH | TK-5220-ISWK with Yellow Housing Option Installed [see note 1] | 1,150.00 |
| TK-5220-ISWKOH | TK-5220-ISWK with Orange Housing Option Installed [see note 1] | 1,150.00 |
| TK-5320-ISWKYH | TK-5320-ISWK with Yellow Housing Option Installed [see note 1] | 1,150.00 |
| TK-5320-ISWKOH | TK-5320-ISWK with Orange Housing Option Installed [see note 1] | 1,150.00 |
| TK-5320-ISWK2YH | TK-5320-ISWK2 with Yellow Housing Option Installed [see note 1] | 1,150.00 |
| TK-5320-ISWK2OH | TK-5320-ISWK2 with Orange Housing Option Installed [see note 1] | 1,150.00 |

[note 1]: these models are stocked in minimum quantities. Please anticipate a minimum 45-90 day lead time and call order desk to verify availability. Service must be performed at one of the 3 Kenwood National Service Centers to maintain certification up to 3 years of Product's Limited Warranty period.

| ANTENNAS | | LIST |
|-----------------|--|-------------|
| KRA-22M | VHF low-profile helical antenna 148-162 MHz | 13.70 |
| KRA-22M2 | VHF low-profile helical antenna 162-174 MHz | 13.70 |
| KRA-22M3 | VHF Low-profile helical antenna 136-150 MHz | 13.70 |
| KRA-23M | UHF low-profile helical antenna 450-490 MHz | 13.70 |
| KRA-23M2 | UHF low-profile helical antenna 470-512 MHz | 13.70 |
| KRA-23M3 | UHF low-profile helical antenna 403-430 MHz | 13.70 |
| KRA-25 | High gain VHF helically loaded whip antenna 148-162 MHz | 34.25 |
| KRA-26M | VHF helical antenna 146-162 MHz | 14.00 |
| KRA-26M2 | VHF helical antenna 162-174 MHz | 14.00 |
| KRA-26M3 | VHF helical antenna 136-150 MHz | 14.00 |
| KRA-27M | UHF whip antenna 440-490 MHz | 14.00 |
| KRA-27M2 | UHF whip antenna 470-520 MHz | 14.00 |
| KRA-27M3 | UHF whip antenna 400-450 MHz | 14.00 |
| KRA-28 | Broad-band VHF helically loaded whip antenna 140-170 MHz | 42.00 |
| KRA-29 | Broad Band UHF Whip Antenna 380-430 MHz | 36.75 |

| BATTERIES AND CHARGERS | | LIST |
|-------------------------------|--|-------------|
| KNB-47L | 1950 mAh, Li-ion battery - requires KSC-32/326K charger [Immersion Option compatible] | 105.00 |
| KNB-48L | 2550 mAh, Li-ion battery - requires KSC-32/326K charger [Immersion Option compatible] | 122.50 |
| KNB-50NC | 2000 mAh, Ni-MH battery - requires KSC-32/326K charger [Intrinsically Safe Option] [Immersion Option compatible] | 157.50 |
| KBP-7 | AA Alkaline Refillable Battery Pack (6 AA; 9V) cells not included Note: the color of the case is orange | 68.50 |
| KSC-32 | Rapid rate single unit charger for KNB-31A/32N/33L/41NC/43L/47L/48L/50NC Note: Includes 110/220V auto-switching AC adapter with U.S.-style line cord plug; requires plug adapter for 220V Euro-style outlets (not supplied). | 70.00 |
| KSC-326K | Rapid rate 6-unit charger for KNB-31A/32N/33L/41NC/43L/47L/48L/50NC | 630.00 |
| KMB-30M | Wall Mount Bracket for KSC-326K/256K | 33.75 |
| KMB-23 | Six Unit Charger Adapter for the KSC-16/20/24/25/25L/32 chargers (chargers not included) | 191.00 |
| KVC-15 | Rapid rate DC vehicular charger adapter for the KSC-32 (chargers not included; includes KSC-mobile bracket & cigarette lighter cable DC adapter) | 119.00 |
| KVC-20L | Vehicular D.C. Charger for 180/5**0/, NX Portables with Li-ion or Li Polymer Battery | 497.00 |

| CARRYING ACCESSORIES | | LIST |
|-----------------------------|--|-------------|
| KBH-11 | Spring action belt clip (2.5") | 14.70 |
| KBH-8DS | Leather swivel belt loop with portable D-Ring attachment | 26.30 |
| KLH-6SW | Leather swivel belt loop / detachable swivel D-Ring back | 22.00 |
| KLH-137ST | Firemen's Heavy-Duty Leather Shoulder Strap for a Heavy-Duty Leather Case (KLH-75B/76B/78B/79B//92/122/123/133/148/154) | 36.75 |
| KLH-148K | Heavy duty leather carrying case for NX-200/300/TK-5220/5320 (Non DTMF keypad models) | 44.25 |
| KLH-148K2 | Heavy duty leather carrying case for NX-200/300/TK-5220/5320 (DTMF keypad models) | 44.25 |
| KLH-149K | Nylon carrying case for NX-200/300/TK-5220/5320 (Non DTMF keypad models) | 26.30 |
| KLH-149K2 | Nylon carrying case for NX-200/300/TK-5220/5320 (DTMF keypad models) | 26.30 |

| SPECIAL COLOR HOUSING | | LIST |
|------------------------------|--|-------------|
| KWD-YH20-P25 | Yellow Housing Kit for TK-5x20 portables (6 Control Keys Version Only) Order L-1713 for Factory Install. (required for Intrinsically Safe & IP67 radio orders) | 40.00 |
| KWD-OH20-P25 | Orange Housing Kit for TK-5x20 portables (6 Control Keys Version Only) Order L-1738 for Factory Install. (required for Intrinsically Safe & IP67 radio orders) | 40.00 |

| MICROPHONES & AUDIO ACCESSORIES | | LIST |
|---|--|-------------|
| KMC-51M | MIL-SPEC, IP54/55 DSP Digital Noise-canceling Speaker Mic [see note 2] | 250.00 |
| KMC-52W | MIL-SPEC, IP67 (Immersion) DSP Digital Noise-canceling Speaker Mic [see note 2] | 300.00 |
| [note 2]: To adjust microphone settings different from factory default, download KPG-147NC configuration software and special configuration firmware from Kenwood Tools (no charge). | | |
| KMC-47GPS | GPS Speaker Microphone (FM Conventional mode only -- does not operate in P25 modes) | 290.00 |
| KMC-40 | MIL-SPEC, Speaker Mic. with Antenna Connector [Intrinsically Safe Approved Accessory] Note: 5/16" Coax cable hex wrench included (antenna is not included). | 250.00 |
| KMC-41M | MIL-SPEC, IP54/55 Noise-canceling Speaker Mic [Intrinsically Safe Approved Accessory] | 96.50 |
| KMC-42WM | MIL-SPEC, IP67 (Immersion) Noise-canceling Speaker Mic [Intrinsically Safe Approved Accessory] Important Note: Portable radio does not have an IP67 Immersion option; meets MIL STD810 rain standards | 114.00 |
| KEP-1 | 3.5mm earphone kit for KMC-25/26/41M/42WM Speaker Mics [Intrinsically Safe Approved Accessory] | 52.50 |
| KCT-30 | 2.5mm Audio Accessory Adapter for KEP-3/4 [Intrinsically Safe Approved Accessory] | 64.00 |
| KCT-51 | Hirose 6-pin Adapter (adapts KVL/aftermarket audio acc. to portable connector) [Intrinsically Safe Approved Accessory] | 215.00 |
| KEP-3 | 30" Earphone kit w/ 2.5mm plug for KCT-30 [Intrinsically Safe Approved Accessory] | 51.50 |
| KEP-4 | 48" Earphone kit w/ 2.5mm plug for KCT-30 [Intrinsically Safe Approved Accessory] | 54.75 |
| KHS-11BE | 2-wire palm mic w/earphone, universal connector (Beige) [Intrinsically Safe Approved Accessory] | 156.50 |
| KHS-11BL | 2-wire palm mic w/earphone, universal connector (Black) [Intrinsically Safe Approved Accessory] | 156.50 |
| KHS-12BE | 3-wire mini lapel mic w/earphone, universal connector (Beige) [Intrinsically Safe Approved Accessory] | 184.00 |
| KHS-12BL | 3-wire mini lapel mic w/earphone, universal connector (Black) [Intrinsically Safe Approved Accessory] | 184.00 |
| KHS-14 | Lt. Wt. Single muff headset w/boom mic & In-line PTT [Intrinsically Safe Approved Accessory] | 126.00 |
| KHS-15-BH | Hvy-duty noise reduction behind-the-headset w/noise cancelling boom mic & in-line PTT [Intrinsically Safe Approved Accessory] | 420.00 |
| KHS-15-OH | Hvy-duty noise reduction over-the-headset w/noise cancelling boom mic & in-line PTT [Intrinsically Safe Approved Accessory] | 368.00 |
| SOFTWARE OPTIONS | | LIST |
| KPG-113AE | AES/DES Encryption Software Key Loader for KWD-DE21K/KWD-AE21K Note: KPG-113AE is a U.S. DOC/BIS Export Controlled Item (ECCN 5D002A) - See IMPORTANT NOTES - | 525.00 |
| KPG-114DE | DES Encryption Software Key Loader for KWD-DE21K/KWD-AE21K Note: KPG-114DE is a U.S. DOC/BIS Export Controlled Item (ECCN 5D992A.1) - See IMPORTANT NOTES - | 368.00 |
| KWD-TR30 | Trunking Option for TK-5220/5320, TK-5720/5820 KWD-TR30 support:1 Trunking Network Must order L-1694 for factory installation, or L-1696 for field-upgrade option Note: KPG-112D(N) Ver2.0 or later Requires Network Level License ID to program trunked network radio parameters (see KPG-112D(N) for purchase restrictions & requirements) | 250.00 |

| OPTION MODULES | | LIST |
|-----------------------|---|-------------|
| KCT-48VU | External Vibration Unit [Intrinsically Safe Approved Accessory] Note: Audio accessories cannot be used when this option installed. KCT-48VU does not support the P25 digital mode calling or paging features | 49.00 |
| KCT-57MS | Man-Down Internal Tilt Switch (Non-Mercury) [Intrinsically Safe Approved Accessory] - Must be Kenwood installed for I.S. Order L-1648 for P25/FleetSync®/MDC-1200 operations | 22.00 |
| KWD-AE20K | AES FIPS140-2 & DES Encryption Module for TK-5*10 and 5*20 Portables & Mobiles (except K7 Portable) [Intrinsically Safe Approved Accessory] - Order a Labor Code L-1649 if installation is required. KWD-AE20K requires: a Motorola KVL3000 Plus key loader device. KWD-AE20K is an U.S. DOC/BIS Export Controlled Item (ECCN 5A002A.1) - See IMPORTANT NOTES - | 998.00 |
| KWD-AE21K | AES & DES Encryption Module for TK-5*10 and 5*20 Portables & Mobiles (except K7 Portable) [Intrinsically Safe Approved Accessory] - Order a Labor Code (L-1650) if installation is required. Note: Requires KPG-113AE software key loader or Motorola KVL3000 Plus key loader device. KWD-AE21K is an U.S. DOC/BIS Export Controlled Item (ECCN 5A002A.1) - See IMPORTANT NOTES - | 998.00 |
| KWD-DE21K | DES Encryption Module for TK-5*10 and 5*20 Portables & Mobiles [Intrinsically Safe Approved Accessory] - Order a Labor Code (L-1651) if installation is required Note: Requires KPG-114DE or KPG-113AE software key loader or Motorola KVL3000 Plus key loader device. KWD-DE21K is a U.S. DOC/BIS Export Controlled Item (ECCN 5A992A) - See IMPORTANT NOTES - | 578.00 |
| VGS-1 | Voice Guide and Storage Unit [Intrinsically Safe Approved Accessory] | 87.50 |

| SERVICE RELATED ACCESSORIES | | LIST |
|------------------------------------|--|-------------|
| KPG-112DNK | Windows® Programming Software for TK-5*20 Series (Compliant with FCC Part 90 Narrowbanding) | 103.25 |
| KPG-36UM | USB Programming interface cable | 158.50 |
| KPG-93 | TK-5210/5310/5410/5220/5320/5400 KVL-3000/3000 Plus Interface Cable | 262.50 |

| INSTALLATION / TUNING CHARGES | | LIST |
|--------------------------------------|--|-------------|
| L-961 | Assemble KMB-23 with six KSC-32K's (Rapid Rate, 120 Volt version only) | 17.00 |
| L-1644 | TK-5220/5320 Programming (Basic TX/RX check only with factory test freq.s or dealer/customer provided KPG-112D data file) | 125.00 |
| L-1645 | Install VGS-1 Voice Guide & Storage Unit | 25.00 |
| L-1646 | Multi-Channel Encoder Modification | 25.00 |
| L-1647 | Configure TK-5220/5320 for Intrinsically Safe Must order an I.S. battery | 70.00 |
| L-1648 | TK-5220/5320 Portable KCT-57MS Installation (for P25/FleetSync®/MDC-1200) | 20.00 |
| L-1649 | Install KWD-AE20K in TK-5220/TK-5320 Portables (Must purchase module separately) | 75.00 |
| L-1650 | Install KWD-AE21K in TK-5220/TK-5320 Portables (Must purchase module separately) | 75.00 |
| L-1651 | Install KWD-DE21K in TK-5220/TK-5320 Portables (Must purchase module separately) | 75.00 |
| L-1694 | Install KWD-TR30 Trunking Option in TK-5220/5320 (Must purchase KWD-TR30 separately) | N/C |
| L-1696 | TK-5220/5320 KWD-TR30 FIELD-UPGRADE (Must purchase KWD-TR30 separately) | N/C |
| L-1698 | KPG-112D(N) Network Level ID (encrypted data file) Note: Enables Trunking system programming privileges; See KPG-112D(N) Network Level ID (Trunking System Privileges) - Restricted Purchase Requirements - L-1698- KPG-112D(N) Network Level ID (Trunking System Privileges) The KPG-112D(N) only ships with a "Dealer Level License ID" which permits Conventional FM and P25 Conventional radio programming privileges only. For radios with the P25 Trunking option installed, trunked/network programming privileges require a "Network Level License ID" generally reserved ONLY for the system owner or the system owners authorized operators/service centers. Purchasing the KPG-112D(N) Network Level License ID will require 1) Written verifiable authorization from the systems owner/operator. 2) The 3-digit hexadecimal P25 System ID from the system owner/operator. 3) Purchase of a L-1698 : KPG-112D(N) Network Level ID option. This option will include an encrypted KPG-112D(N) "System Key Data File" containing the 16-digit Network Level License ID & 3-digit hexadecimal System ID code. | 132.00 |
| L-1713 | Assemble Yellow Housing KWD-YH20-P25 with TK-5X20 Portable | 27.00 |
| L-1738 | Assemble Orange Housing KWD-OH20-P25 with TK-5X20 Portable | 27.00 |

-- IMPORTANT NOTES --

Encryption modules, key loaders and radios containing encryption are export controlled by the U.S. Department of Commerce Bureau of Industry & Security EAR regulations and may either require an Export License, are eligible for a License Exception (ENC) or are exportable with No License Required (NLR) depending on the country, the consignee and the intended use. High level encryption is a special commodity that may require an export license to most countries. See www.bis.gov for more information regarding export regulations. DO NOT SHIP encryption items outside the U.S. without proper DOC/BIS Export Licenses and/or compliances.

Kenwood may request the following information to be submitted at time of order (this information must meet Kenwood internal approvals prior to shipment even if being returned to Kenwood later:

a) Initial Destination: Initial delivery point if different from Ultimate Destination (customer distribution center, headquarters, dealership, manufacturer's representative)

* Business/Agency Name:

* Address:

* Contact Person Name:

* Contact Phone:

b) Ultimate Destination: Final delivery point(s); deployment/distribution

* Business/Agency Name:

* Address:

* Contact Person Name:

* Contact Phone:

c) Intended Use of Radios: Law enforcement, security, operations, etc.

KWD-AE20 AES FIPS140-2 SCM , NIST Validation & Customer Shipping

A secure delivery method direct to the end user customer is required by the NIST AES FIPS 140-2 validation rules. For U.S. Federal Government entities the SCM must ship from Kenwood USA Corporation directly to the end user customer by a trusted carrier (FEDEX, UPS or a designated Kenwood USA Corporation employee); shipping/handling by a dealer or other entity is not acceptable. This may or may not be required by local/state government agencies or business/industrial users. Please check with the end use customer about their AES encryption handling requirements before ordering. Kenwood will not be responsible for shipments of KWD-AE20K modules to erroneous destinations specified on an order.

TK-5710G / 5810G
VHF/UHF FM & P25 Digital Mobile Radios



All P25 series mobiles include:

- RF Deck Only
(Configuration Set & Assembly Labor Code must be order for a Complete Mobile.)
- Premium Warranty: 3 Years*

* All Accessories / options: 1 Year

**G models are Ver 3 Hardware
(starting S/No. B03xxxxx)**

* TX Power is derated
at 500-520 MHz for TK-5810HBK:

450-499 MHz (100 W)
500-520 MHz (60 W)

GENERAL FEATURES

- 50W & 110W (136-174 MHz)
- 45W & 100 W (450-520, 400-470 MHz)
- 100 Zones / 1024 Channels
- Personality Lists
- Enhanced Kenwood Audio
- Zone/CH Voice Announce
- Emergency Features
- Tactical Group
- Intercom
- Public Address
- Time Out Timer
- Busy Channel Lockout
- Ignition Sense
- Timed Power Off
- DB-25 & 9-Pin Accessory Connectors
- Transceiver Password
- Date & 12/24 Hour Time Clock
- Windows® Programming & Tuning
- Windows® Firmware Uploading
- Field-Programming & Tuning
- Cloning
- Easy Option Ports (26-pin)
- Voice Guide & Storage (Option)
- DB-25 & 9-Pin Accessory Connectors
- MIL-STD 810 C/D/E/F, IP-54
- MIL-STD Noise-Cancel Mic
- MIL-STD 12-Key DTMF Mic Option

MOUNTING CONFIGURATIONS

- Dash Mount
- Single Control Head Remote Mount
- Handheld Control Remote Mount
- Dual Control Head Remote Mount

FRONT PANELS/CONTROL HEADS

- KCH-14 Front Panel
 - 12-Character Alphanumeric Aliases
 - 5 PF Keys
 - Built-in Front Speaker
- KCH-15 Front Panel
 - 14-Character Alphanumeric Aliases
 - 11 PF Keys
- KCH-16M Handheld Control Head
 - 14-Character Alphanumeric Aliases
 - 9 PF Keys
 - 12-Key DTMF/Function Keypad

P25 DIGITAL

- P25 Digital Conventional
- P25 Digital Trunking Option
- AMBE+2™ Enhanced VOCODER
- Talk Group ID Lists
- Individual ID Lists
- Caller ID Display
- RSSI Indicator
- Remote Monitor
- Remote Check
- Radio Inhibit
- Encryption Key Delete
- Encryption Key Zeroize Option
- Encryption Key Retention Option
- DES 16-Key SCM Option
- AES FIPS 140-2 & DES 16-Key SCM Option
- KPG-94 KVL Key Loader Interface Cable
- P25 GPS Location
- P25 OTAR Option

SCAN TYPES (FM & P25)

- Single Zone/Multi-Zone Scan
- Scan Lists
- Conventional Scan
- Limited Talk Group Scan
- Priority Monitor Scan
- Dual Priority Scan

FM

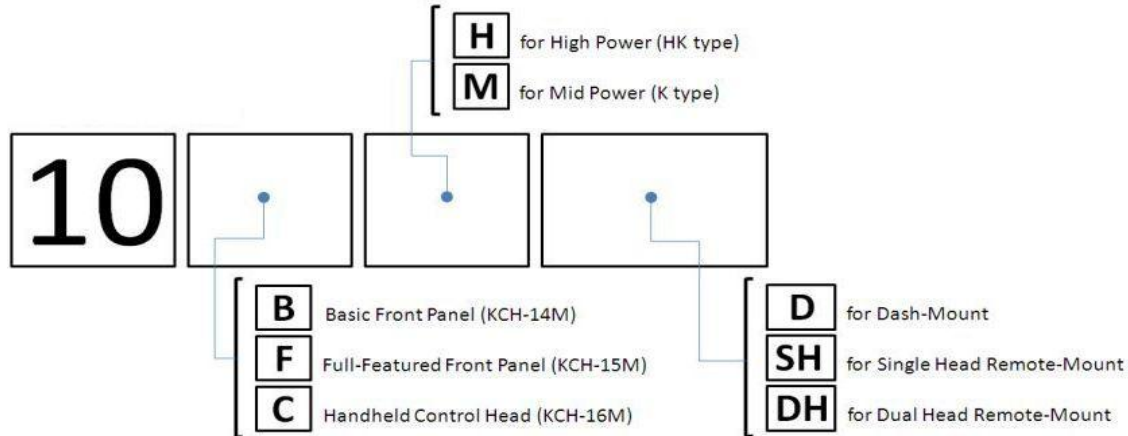
- QT / DQT
- Operator Selectable Tone
- Two-Tone Encode / Decode
- DTMF Encode / Decode / Stun
- Special Alert Tone Patterns
- Horn Alert Output
- Encryption / ANI Board Control
- Companded Audio
- FleetSync® /II PTT ID / Caller ID Display / Emergency
- MDC-1200 PTT ID / Caller ID Display / Emergency

| MODEL | | LIST |
|--------------|--|-------------|
| TK-5710BGK | 136-174MHz 10-50W 100 Zones/1024 Channels (R.F. DECK ONLY) | 1,601.00 |
| TK-5710HBGK | 136-174MHz 50-110W 100 Zones/1024 Channels (R.F. DECK ONLY) | 2,211.00 |
| TK-5810BGK | 450-520 MHz 5-45W 100 Zones/1024 Channels (R.F. DECK ONLY) | 1,601.00 |
| TK-5810BGK2 | 400-470 MHz 5-45W 100 Zones/1024 Channels (R.F. DECK ONLY) | 1,601.00 |
| TK-5810HBGK | 450-520 MHz 50-100W 100 Zones/1024 Channels (R.F. DECK ONLY) | 2,211.00 |
| TK-5810HBGK2 | 400-470 MHz 50-100W 100 Zones/1024 Channels (R.F. DECK ONLY) | 2,211.00 |

ACCESSORY CONFIGURATION SETS

LIST

CONFIGURATION SET DEFINITIONS



Dash Mount

LIST

| | | |
|-------|---|--------|
| 10BHD | KCH-14M, KCT-23M2, KMB-9, KMC-27 | 683.50 |
| 10BMD | KCH-14M, KCT-23M, KMB-5, KMC-27 | 653.50 |
| 10FHD | KCH-15M, KCT-23M2, KMB-9, KMC-27, KES-5 | 744.75 |
| 10FMD | KCH-15M, KCT-23M, KMB-5, KMC-27, KES-5 | 714.75 |

Single Head Remote Mount

LIST

| | | |
|--------|--|--------|
| 10BHSH | KCH-14M, KRK-5, KCT-22M2, KCT-23M4, KMB-9, KMC-27 | 921.00 |
| 10BMSH | KCH-14M, KRK-5, KCT-22M2, KCT-23M3, KMB-5, KMC-27 | 887.75 |
| 10FHSH | KCH-15M, KRK-5, KCT-22M2, KCT-23M4, KMB-9, KMC-27, KES-5 | 982.25 |
| 10FMSH | KCH-15M, KRK-5, KCT-22M2, KCT-23M3, KMB-5, KMC-27, KES-5 | 949.00 |

Dual Head Remote Mount

LIST

| | | |
|---------|--|----------|
| 10BHDH | KCH-14M(x2), KRK-6DH, KCT-22M2(x2), KCT-23M4, KMB-9, KMC-27(x2) | 1,718.00 |
| 10BMDH | KCH-14M(x2), KRK-6DH, KCT-22M2(x2), KCT-23M3, KMB-5, KMC-27(x2) | 1,684.75 |
| 10FHHDH | KCH-15M(x2), KRK-6DH, KCT-22M2(x2), KCT-23M4, KMB-9, KMC-27(x2), KES-5(x2) | 1,840.50 |
| 10FMDH | KCH-15M(x2), KRK-6DH, KCT-22M2(x2), KCT-23M3, KMB-5, KMC-27(x2), KES-5(x2) | 1,807.25 |

Handheld Control Head Remote

LIST

| | | |
|--------|--|----------|
| 10CHSH | KCH-16M, KRK-11M, KCT-22M2, KCT-23M4, KMB-9, KES-5 | 1,056.75 |
| 10CMSH | KCH-16M, KRK-11M, KCT-22M2, KCT-23M3, KMB-9, KES-5 | 1,046.25 |

FRONT PANELS & REMOTE KITS (Order Configuration Sets for full install accessories)

LIST

| | | |
|---------|---|--------|
| KCH-14M | Basic Remote Control Head w/ 12 Alphanumeric Display (4W Front Speaker) Note: All KCH-14 / Basic Control Head configurations are shipped with the control heads 4W internal speaker enabled. Order L-1008 to enable the 13W external speaker output for KES-5 speaker use. This will disconnect the control heads internal 4W speaker ! | 504.00 |
| KCH-15M | Full-Featured Remote Control Head w/ 14 Alphanumeric Display Note: requires an external speaker | 504.00 |
| KRK-5 | Single Control Head Remote Mount Kit | 147.00 |
| KRK-6DH | Dual Control Head Remote Mount Kit | 252.00 |

HANDHELD CONTROL HEAD REMOTE (Order Configuration Sets for full install accessories)

LIST

| | | |
|---------|--|--------|
| KCH-16M | Handheld Control Head for P25 Mobiles Note: requires KRK-11M, KCT-22M2/M3, & KES-5 | 546.00 |
| KRK-11M | KCH-16M HHCH Interface Kit for Single Head Remote | 283.50 |

| CABLES | | LIST |
|---------------|--|-------------|
| KCT-18 | Ignition sense cable | 13.70 |
| KCT-22M | Control cable - 8 Feet | 73.50 |
| KCT-22M2 | Control cable - 17 Feet (Standard accessory config. set cable) | 84.00 |
| KCT-22M3 | Control cable - 25 Feet | 94.50 |
| KCT-23M | DC Cable (10-50W Dash mount) | 31.50 |
| KCT-23M2 | DC Cable (50-110W Dash mount) | 38.75 |
| KCT-23M3 | DC Cable (10-50W Remote mount) | 34.75 |
| KCT-23M4 | DC Cable (50-110W Remote mount) | 45.25 |

| MOBILE INSTALLATION ACCESSORIES | | LIST |
|--|--|-------------|
| KLF-2 | Line Filter (suppresses alternator whine, 25dB, 25A max) | 42.00 |
| KMB-10 | Key Lock Adapter for use with KMB-4/5/6 | 26.30 |
| KMB-5 | Medium Power Mounting Bracket (10-50W models) | 14.00 |
| KMB-9 | Heavy Duty Mounting Bracket with built-in key lock | 36.75 |

| MICROPHONES AND SPEAKERS | | LIST |
|---------------------------------|--|-------------|
| KES-5 | External Speaker (40W max input) | 61.25 |
| KMC-27 | MIL-SPEC noise-canceling mobile hand microphone | 104.00 |
| KMC-28 | MIL-SPEC DTMF noise-canceling mobile hand microphone | 163.00 |
| KMC-9B | Desk top microphone | 96.50 |

| SERVICE RELATED ACCESSORIES | | LIST |
|------------------------------------|--|-------------|
| KPG-43UM | USB Programming interface cable | 158.50 |
| KPG-94 | KVL-3000/3000 Plus Interface Cable for TK-5x10 & TK-5x10G Mobiles | 262.50 |
| KPG-95DGNK | Windows® Programming Software for TK-5x10 & TK-5x10G Portables & Mobiles (Compliant with FCC Part 90 Narrowbanding) Note: Self-programming function is not available. | 628.00 |

Analog & P25 Conventional Programming

A "Dealer-Level" License ID is included with each KPG-95D/DG(N)K which only permits full analog conventional and P25 conventional programming. Data files created with a "Network-Level Licensed" KPG-95D/95DG and containing P25 programmed P25 trunked network parameters can be loaded and viewed with a Dealer-Level Licensed KPG-95D/DG(N)K, but the trunked network parameters cannot be changed.

P25 Trunked Programming Capability (licensed by either 1 or 2 below):

1. KPG-95DG(N)K with System Key File (*.SKF)- See L-989

- For all TK-5x10 radio platforms (VER1, 2, 3 or later).
- 3-digit HEX System ID (HSID) and verifiable written authorization required from trunked system operator (SYSOP).
- Purchase KPG-95DG(N)K & L-989 Network-Level License ID
- Kenwood ships an encrypted *.SKF file on CD ROM
- The *.SKF securely embeds/encrypts the 16-digit Network Level License ID & the HSID.

2. KPG-95DG(N)K with Advanced Network Keys (ANK's)

- For TK-5x10G/5410/5910 VER 3 or later radio platforms only.
- SYSOPs: Refer to KWD-ANK-MK Master Key
- Dealers/contractors: Refer to KWD-ANK-AK Access Key
- KPG-95DG(N)K (V7.0 or later) supports up to 16 KWD-ANK-AK Access Keys (16 trunked networks).

| | | |
|------------|--|--------|
| KWD-ANK-AK | Access Key for KPG-95DGK P25 trunked programming Notes: • For TK-5x10G/5410/5910 VER 3 or later radio platforms only • Must be activated by a SYSOP with KWD-ANK-MK Master Key. • Must have KPG-95DG(N)K (V7.0 or later); L-989 is NOT required. • Battery Life: 3 years (non-serviceable; key must be replaced) | 208.00 |
|------------|--|--------|

SERVICE RELATED ACCESSORIES (cont.) **LIST**

| | | |
|----------------------|--|--------|
| KWD-ANK-MK | Master Key for activating KWD-ANK-AK Access Keys - Restricted Purchase Requirements - Notes: <ul style="list-style-type: none"> • For TK-5x10G/5410/5910 VER 3 or later radio platforms only. • Sold to SYSOP or SYSOP authorized entities only • Must have KPG-95DG(N)K (V7.0 or later) with L-989 Network-Level License ID • SYSOP must provide 3-digit HEX HSID to Kenwood. • Purchase KWD-ANK-AK Access Keys if needed. • Battery Life: 3 years (non-serviceable; key must be replaced) | 500.00 |
| ***** K29-5276-03 | Contact Kenwood Parts for Price and Availability 800-367-7514 on the following: Key Inserts for 90-Series/TK-5710/5810 (AN, D/A, DIM, HA, HC, IC, MON, OPT, OST, PA) | --- |
| K29-5277-03 | Key Inserts for 90-Series/TK-5710/5810 (RCL, RPT, SCN, SP, SPM, SQ, TA, <up arrow>, <down arrow>, 1x Clear key insert) | --- |
| K29-5305-03 | Key Inserts for 90-Series/TK-5710/5810 (CH1, CH2, CH3, CH4, CH5, AUXA, AUXB, AUXC, EMG, ORG) | --- |
| K29-9353-13 | Key Inserts for TK-5710/5810 (2TN, AD, AR, CLK, FNC, PBK, SCP, SEC, SEL, SES) | --- |
| K29-9354-03 | Key Inserts for TK-5710/5810 (GPS, STS, TAC, TON, RES, IDV, KDL, TGR, 2x Clear key inserts) | --- |
| K29-9356-03 | Key Inserts for TK-5710/5810 (PAG, SIT, SRC, 7 X Clear key inserts) | --- |

FRIMWARE OPTIONS **LIST**

| | | |
|----------|---|--------|
| KWD-RK20 | OTAR Option for KWD-AE20K Encryption Module in TK-5x10 series (OTAR in P25 Conventional & Trunked Modes) • Requires KWD-AE20K module. • L-1108 (for portable) & L-1109 (for mobile) Installation (no charge) • L-1733 (for portable) & L-1734 (for mobile) Field Upgrade Option Note: <ul style="list-style-type: none"> • Supports OTAR in P25 Conventional & Trunked modes (Not compatible with GK7 64 CH Model) • Compatible with Motorola KMF P25 OTAR (excludes Motorola-proprietary non-TIA/P25 KMF features)) <ul style="list-style-type: none"> • Requires KPG-95D/DG(N) V7.10 or later for radio programming • TK-5x10 VER2: Requires KPG-95D V5.40 or later for radio programming • TK-5410/5910: Requires KPG-95D V6.00 or later for radio programming • TK-5x10G: Requires KPG-95DG(N) for radio programming • TK-5x10 VER2: Option deletes self-programming, cloning and analog FleetSync® (except PTT ID/Emergency) when installed. KWD-RK20 is a U.S. DOC/BIS Export Controlled Item (ECCN 5D002A) - See IMPORTANT NOTES - | 830.00 |
| KWD-TR20 | Trunking Option for TK-5210/5310/5210G/5310G, TK-5710/5810/5710G/5810G KWD-TR20 support:16 Trunking Network Must order L-1056 for factory installation, or L-1068 for field-upgrade option Note: KPG-95D/95DG(N) Requires Network Level License ID to program trunked network radio parameters (see KPG-95D/95DG(N) for purchase restrictions & requirements) Compatible with TK-5210 Version 2 (SN 80600001 or later); TK-5310 (SN 809xxxxx or later); TK-5710 Version 2 (SN806xxxxx); TK-5810 (SN 809xxxxx or later); All TK-5x10G Series are compatible | 334.00 |

SOFTWARE OPTIONS **LIST**

| | | |
|-----------|--|--------|
| KPG-113AE | AES/DES Encryption Software Key Loader for KWD-DE21K/KWD-AE21K Loads AES & DES keys on capable encryption modules Note: KPG-113AE is a U.S. DOC/BIS Export Controlled Item (ECCN 5D002A) - See IMPORTANT NOTES - | 525.00 |
| KPG-114DE | DES Encryption Software Key Loader for KWD-DE21K/KWD-AE21K Loads DES keys only regardless of encryption module model Note: KPG-114DE is a U.S. DOC/BIS Export Controlled Item (ECCN 5D992A.1) - See IMPORTANT NOTES - | 368.00 |

| OPTION MODULES | | LIST |
|--------------------------------------|--|-------------|
| KWD-AE20K | AES FIPS140-2 & DES Encryption Module for TK-5x10, TK-5x10G & TK-5x20 Portables & Mobiles (except K7 Portable) [KWD-AE20K support] - Advanced Encryption Standard (AES): 256-bit symmetric key algorithm; NIST validated per FIPS140-2 - Data Encryption Standard (DES): 56-bit symmetric key algorithm. - 16 Multi-key List (user-selectable / per Personality programming) - Stores: 1024 keys & 1024 Common Key References (CKR) - Must order KWD-RK20 for OTAR capability - Order L-1345 if installation is required. - KWD-AE20K requires: a Motorola KVL3000/+ & KVL-4000 Key Fill Devices and KMF P25 OTAR (excludes Motorola-proprietary non-TIA/P25 KMF features). F/W VA2.0.3 or later supports the KVL4000. - KWD-AE20K is an U.S. DOC/BIS Export Controlled Item (ECCN 5A002A.1) - See IMPORTANT NOTES - | 998.00 |
| KWD-AE21K | AES & DES Encryption Module for TK-5x10, TK-5x10G & TK-5x20 Portables & Mobiles (except K7 Portable) [KWD-AE20K support] - Advanced Encryption Standard (AES): 256-bit symmetric key algorithm; - Data Encryption Standard (DES): 56-bit symmetric key algorithm. - 16 Multi-key List (user-selectable / per Personality programming) - Stores: 1024 keys & 1024 Common Key References (CKR) Order L-1346 if installation is required. Note: Requires KPG-113AE software key loader or Motorola KVL3000 Plus key loader device. KWD-AE21K is an U.S. DOC/BIS Export Controlled Item (ECCN 5A002A.1) - See IMPORTANT NOTES - | 998.00 |
| KWD-DE21K | DES Encryption Module for TK-5x10, TK-5x10G & TK-5x20 Portables & Mobiles [KWD-DE21K support] - Data Encryption Standard (DES): 56-bit symmetric key algorithm - 16 Multi-key List (user-selectable / per Personality programming) - Stores: 1024 keys & 1024 Common Key References (CKR) Order L-1602 if installation is required Note: Requires KPG-114DE or KPG-113AE software key loader or Motorola KVL3000 Plus key loader device. KWD-DE21K is a U.S. DOC/BIS Export Controlled Item (ECCN 5A992A) - See IMPORTANT NOTES - | 578.00 |
| VGS-1 | Voice Guide and Storage Unit Note: VGS-1 provides Auto-Record, Voice Memo & Playback; The Voice Guide (a.k.a annunciation) function is built-in to the TK-5710/5810 and does not require the VGS-1 | 87.50 |
| GPS Option | | LIST |
| GA25MCX | Garmin On-dash Style Magnetic base GPS Antenna for GPS15XL-W Note: shipped loose only; Install GA25MCX antenna to GPS15XL-W before vehicle install. | 62.00 |
| GPS15XL-W | Garmin Internal GPS Receiver Board (P25 Conventional) Note: • Provides GPS on P25 Conventional only (TIA-102.BAJB Tier I Location Service compliant; not for use over trunked systems) • Requires GA25MCX GPS antenna | 130.25 |
| INSTALLATION / TUNING CHARGES | | LIST |
| L-862 | Install Front Panel PF Key Label Inserts in TK-5x10, TK-5x10G & TK-x90 series Mobile (key names and positions must be specified) | 15.00 |
| L-864 | KCT-22A Extended Control Head Cable (Specify length in 1 ft increments up to 50 ft. max.) | 190.00 |
| L-865 | KCT-22A Extended Control Head Cable (Specify length in 1 ft. increments up to 100 ft. max.) Extended control head cables: Extended cables result in a loss of control head audio power. On KCH-14 use 13W audio output modifications per service manual Use a standard KCT-22 25 ft. or less cable for firmware installation. Normal KPG-95D radio programming is possible at extended lengths. | 245.00 |
| L-866 | Modify KCT-23M2/M4 110W High Power DC Cables from 4 to 2 Conductors (1x23 ft. positive, 1x23 ft. negative; AWG #10) Two Conductor Modification: KCT-23M2 75/110W Dash Mount DC Cable (4 Conductor: 2x10 ft. positive, 2x10 ft. negative) KCT-23M4 75/110W Remote Mount DC Cable (4 Conductor: 2x23 ft. positive, 2x23 ft. negative) | 75.00 |
| L-962 | Install VGS-1 Voice Guide & Storage Unit | 25.00 |

| INSTALLATION / TUNING CHARGES - CONT'D | | LIST |
|---|---|-------------|
| L-989 | KPG-95D/95DG(N) Network Level ID (encrypted data file) Note: Enables Trunked system programming privileges in a KPG-95DG(N)K. - Restricted Purchase Requirements - • 3-Digit HEX System ID (HSID) from SYSOP required • Must Purchase KPG-95DG(N)K (V7.0 or later) with L-989 • Kenwood ships an encrypted *.SKF file on CD ROM • Non-SYSOP entities ordering L-989 must provide verifiable written authorization from SYSOP to receive an *.SKF file. • The 16-digit Network Level License ID & 3-digit HEX HSID are securely encrypted & embedded in the *.SKF file. | 132.00 |
| L-1005 | TK-5x10 & TK-5x10G Mobile Programming (Basic TX/RX check only with factory test freq.s or dealer/customer provided KPG-95D/95DG(N) data file) | 125.00 |
| L-1006 | Modify TK-5x10 & TK-5x10G Mobile for Horn Alert relay output (1 amp max.; relay factory installed already) | 25.00 |
| L-1008 | External Speaker modification for TK-5x10 & TK-5x10G mobile Control Head (13W) Note: All Basic Control Head (KCH-14M) configurations are shipped with the control heads 4W internal speaker enables. Order L-1008 to enable the 13W external speaker output for KES-5 speaker use. This will disconnect the control heads internal 4W speaker! | 10.00 |
| L-1028 | Package Dash/Single Head Remote for TK-5x10 & TK-5x10G mobiles | 17.00 |
| L-1029 | Package Dual Head Remote for TK-5x10 & TK-5x10G mobiles | 34.00 |
| L-1056 | Install KWD-TR20 Trunking Option in TK-5710/5810 & TK-5710G/5810G (Must purchase KWD-TR20K separately) | N/C |
| L-1068 | TK-5710/5810 & TK-5710G/5810G KWD-TR20 FIELD-UPGRADE (Must purchase KWD-TR20 separately) | 42.00 |
| L-1109 | Install KWD-RK20 OTAR Option in TK-5x10 & TK-5x10G Mobiles (Must purchase KWD-RK20 separately) | N/C |
| L-1110 | Package HHCH Remote for TK-5x10 & TK-5x10G mobiles | 25.00 |
| L-1345 | Install KWD-AE20K in TK-5x10 & TK-5x10G Mobile (Must purchase module separately) | 75.00 |
| L-1346 | Install KWD-AE21K in TK-5x10 & TK-5x10G Mobile (Must purchase module separately) | 75.00 |
| L-1602 | Install KWD-DE21K in TK-5x10 & TK-5x10G Mobile (Must purchase module separately) | 75.00 |
| L-1734 | KWD-RK20 Field Upgrade Option for TK-5x10/5x10G/5910 (Must purchase KWD-RK20 separately) | 42.00 |

-- IMPORTANT NOTES --

Encryption modules, key loaders and radios containing encryption are export controlled by the U.S. Department of Commerce Bureau of Industry & Security EAR regulations and may either require an Export License, are eligible for a License Exception (ENC) or are exportable with No License Required (NLR) depending on the country, the consignee and the intended use. High level encryption is a special commodity that may require an export license to most countries. See www.bis.gov for more information regarding export regulations. DO NOT SHIP encryption items outside the U.S. without proper DOC/BIS Export Licenses and/or compliances.

Kenwood may request the following information to be submitted at time of order (this information must meet Kenwood internal approvals prior to shipment even if being returned to Kenwood later:

a) Initial Destination: Initial delivery point if different from Ultimate Destination
 (customer distribution center, headquarters, dealership, manufacturer's representative)

- * Business/Agency Name:
- * Address:
- * Contact Person Name:
- * Contact Phone:

b) Ultimate Destination: Final delivery point(s); deployment/distribution

- * Business/Agency Name:
- * Address:
- * Contact Person Name:
- * Contact Phone:

c) Intended Use of Radios: Law enforcement, security, operations, etc.

KWD-AE20 AES FIPS140-2 SCM , NIST Validation & Customer Shipping

A secure delivery method direct to the end user customer is required by the NIST AES FIPS 140-2 validation rules. For U.S. Federal Government entities the SCM must ship from Kenwood USA Corporation directly to the end user customer by a trusted carrier (FEDEX, UPS or a designated Kenwood USA Corporation employee); shipping/handling by a dealer or other entity is not acceptable. This may or may not be required by local/state government agencies or business/industrial users. Please check with the end use customer about their AES encryption handling requirements before ordering. Kenwood will not be responsible for shipments of KWD-AE20K modules to erroneous destinations specified on an order.

TK-5720 / 5820
VHF/UHF FM Analog & P25 Digital Mobile Radios



All 5X20 series mobiles include:

- Standard Microphone (KMC-35)
- Mounting Bracket
- DC Cable (KCT-23M)
- Blade Fuse
- Instruction Manual
- Premium Warranty: 3 Years*

* All Accessories / options: 1 Year

* TX Power is derated at 490-512 MHz
 TK-5320: 450-489 MHz (45 W)
 490-512 MHz (40 W)

GENERAL FEATURES

- 50W (136-174 MHz)
- 45W (400-470, 450-520, 380-400MHz)
- 128 Zones / 512 Channels
- Emergency Features
- Public Address (KAP-2 Required)
- Time Out Timer
- Busy Channel Lockout
- Ignition Sense
- Timed Power Off
- DB-25 & 9-Pin Accessory Connectors
- 9 Programmable AUX I/Os
- 2 Programmable AUX Outputs
- Transceiver Password
- Date & 12/24 Hour Time Clock
- Windows® Programming & Tuning
- Windows® Firmware Uploading
- Easy Option Ports (26-pin)
- Voice Guide & Storage (option)
- MIL-STD 810 C/D/E/F/G, IP-54
- MIL-STD Mic (included)
- MIL-STD 12-Key DTMF Mic Option

FRONT PANELS/CONTROL HEADS

- Dash & Remote Mount
- 14 Character Alphanumeric Aliases
- Backlit Dot Matrix LCD
- 3-Digit Sub-Display
- Function/Status LCD Icons
- RSSI Indicator
- Transmit/Busy/Call Alert/Warn LED
- On/Off Power Control
- 4 Up/Down Selectors
- 6 Front PF Keys
- Emergency/AUX Key
- 4W Speaker Audio

P25 DIGITAL

- P25 Digital Conventional
- AMBE+2™ Enhanced VOCODER
- Talk Group ID Lists
- Individual ID Lists
- Caller ID Display
- Remote Monitor / Check, Radio Inhibit
- Encryption Key Zeroize and Retention
- DES Encryption Module Option
- AES & DES Encryption Module Option
- KPG-115 Key Loader Interface Cable
- P25 Digital Trunking Option

SCAN TYPES (FM & P25)

- Single Zone/Multi-Zone Scan
- Scan Lists*
- Conventional Scan
- Limited Talk Group Scan*
- Priority Monitor Scan*
- Dual Priority Scan

FM

- QT / DQT
- Operator Selectable Tone
- Two-Tone Decode / Encode
- DTMF Encode / Decode / Stun
- Special Alert Tone Patterns
- Companded Audio

FleetSync® / II (FM)

- PTT ID Digital ANI
- Caller ID Display
- Status Messaging
- Emergency & Stun Statuses
- Selective & Group Call
- Text Messaging
- Send/Display GPS

MDC-1200

- PTT ID Digital ANI
- Caller ID Display
- Emergency Status
- Radio Check
- Radio Inhibit

| MODEL | | LIST |
|--------------|---|-------------|
| TK-5720K | 136-174 MHz 50W, 512 CH / 128 Zone | 1,301.00 |
| TK-5820K | 450-520 MHz 45W, 512 CH / 128 Zone | 1,301.00 |
| TK-5820K2 | 400-470 MHz 45W, 512 CH / 128 Zone | 1,301.00 |
| TK-5820K3 | 380-400 MHz 45W, 512 CH / 128 Zone [For U.S. Federal Government & Export Sales Only] | 1,301.00 |

| MOBILE INSTALLATION ACCESSORIES | | LIST |
|---|--|-------------|
| KAP-2 | Horn Alert/P.A. Relay Option | 63.00 |
| KCT-46 | Ignition sense cable (plugs directly into mobile chassis ignition sense line) | 13.70 |
| KLF-2 | Line Filter (suppresses alternator whine, 25dB, 25A max). | 42.00 |
| KMB-10 | Key lock adapter | 26.30 |
| KRK-10 | Remote Control Kit (a remote control cable (23 ft) is included) | 105.00 |
| KRK-13 | Dual Control Head Kit (a control head, remote cables, and KMC-35 microphone included) Note: some operations have limitations. Please refer to Application Note avlb. on Kenwood Tools. Order: L-1777 if installation is required. | 959.00 |
| KCT-23M | DC Cable (35-50W Dash mount; pos/neg. 10 ft. leads) | 31.50 |
| KCT-23M3 | DC Cable (35-50W Remote mount; pos.23 ft.; neg. 3.3. ft. leads) | 34.75 |
| CONTROL STATION INSTALLATION ACCESSORIES | | LIST |
| KMC-9C | Control Station Desktop Microphone (8-pin mod. plug) | 86.00 |
| KMB-24 | Control Station Mounting Case for KPS-15 Power Supplies (mobile mounting hardware included) | 42.00 |
| KPS-15 | DC Switching Power Supply (117/230 VAC; 23A max. continuous, 25A peak) | 173.00 |
| MICROPHONES AND SPEAKERS | | LIST |
| KMC-35 | MIL-SPEC Standard electret mobile microphone (8-pin mod. plug) - same as supplied | 52.50 |
| KMC-36 | MIL-SPEC Standard electret mobile microphone with 12 keypad (8-pin mod. plug) | 94.50 |
| KMC-27A | MIL-SPEC & Noise Canceling dynamic mobile microphone (8-pin mod. plug) | 104.00 |
| KMC-27B | Standard dynamic mobile microphone (8-pin mod. plug) | 42.00 |
| KMC-28A | MIL-SPEC & Noise Canceling dynamic mobile microphone (8-pin mod. plug) w/ DTMF | 163.00 |
| KMC-9C | Control Station Desktop Microphone (8-pin mod. plug) | 86.00 |
| KES-3S | External speaker (compact low profile; black case; 3.5 mm phono plug-in) | 44.25 |
| KES-5 | External speaker, 40W max input Note: requires KAP-2 (PA/HA unit) installed | 61.25 |
| SOFTWARE OPTIONS | | LIST |
| KPG-113AE | AES/DES Encryption Software Key Loader for KWD-DE21K/KWD-AE21K KPG-113AE is a U.S. DOC/BIS Export Controlled Item (ECCN 5D002A) - See IMPORTANT NOTES - | 525.00 |
| KPG-114DE | DES Encryption Software Key Loader for KWD-DE21K/KWD-AE21K KPG-114DE is a U.S. DOC/BIS Export Controlled Item (ECCN 5D992A.1) - See IMPORTANT NOTES - | 368.00 |
| KWD-TR30 | Trunking Option for TK-5220/5320, TK-5720/5820 KWD-TR30 support:1 Trunking Network Must order L-1695 for factory installation, or L-1697 for field-upgrade option Note: KPG-112D(N) Ver2.0 or later Requires Network Level License ID to program trunked network radio parameters (see KPG-112D(N) for purchase restrictions & requirements) | 250.00 |
| OPTION MODULES | | LIST |
| KWD-AE20K | AES FIPS140-2 & DES Encryption Module for TK-5*10 and 5*20 Portables & Mobiles Order L-1657 if installation is required. KWD-AE20K requires: a Motorola KVL3000 Plus key loader device. KWD-AE20K is an U.S. DOC/BIS Export Controlled Item (ECCN 5A002A.1) - See IMPORTANT NOTES - | 998.00 |
| KWD-AE21K | AES & DES Encryption Module for TK-5*10 and 5*20 Portables & Mobiles Order L-1658 if installation is required. Note: Requires KPG-113AE software key loader or Motorola KVL3000 Plus key loader device. KWD-AE21K is an U.S. DOC/BIS Export Controlled Item (ECCN 5A002A.1) - See IMPORTANT NOTES - | 998.00 |
| KWD-DE21K | DES Encryption Module for TK-5*10 and 5*20 Portables & Mobiles Order L-1659 if installation is required Note: Requires KPG-114DE or KPG-113AE software key loader or Motorola KVL3000 Plus key loader device KWD-DE21K is a U.S. DOC/BIS Export Controlled Item (ECCN 5A992A) - See IMPORTANT NOTES - | 578.00 |
| VGS-1 | Voice Guide and Storage Unit | 87.50 |

| GPS Option | | LIST |
|-------------------|---|-------------|
| GPS15XL-W | Garmin Internal GPS Receiver Board for FleetSync® AVL Note: • Provides GPS on Analog Conventional • Requires GA25MCX GPS antenna • Refer to 5720/5820-Series Service Manuals for installation. Refer to www.garmin.com for GPS15XL-W technical specifications. • Option: Order L-1655 for Kenwood Long Beach installation | 130.25 |
| GA25MCX | Garmin On-dash Style Magnetic base GPS Antenna for GPS15XL-W Note: shipped loose only; Install GA25MCX antenna to GPS15XL-W before vehicle install. | 62.00 |

| SERVICE RELATED ACCESSORIES | | LIST |
|------------------------------------|--|-------------|
| KPG-46UM | USB Programming interface cable | 158.50 |
| KPG-112DNK | Windows® Programming Software for TK-5*20 Series (Compliant with FCC Part 90 Narrowbanding) | 103.25 |
| KPG-115 | Key Loader Interface Cable for Motorola KVL-3000/3000 Plus | 262.50 |

| INSTALLATION / TUNING CHARGES | | LIST |
|--------------------------------------|--|-------------|
| L-1645 | Install VGS-1 Voice Guide & Storage Unit | 25.00 |
| L-1652 | TK-5720/5820 Programming (Basic TX/RX check only with factory test freq.s or dealer/customer provided KPG-112D(N) data file) | 125.00 |
| L-1653 | TK-5720/5820 Install KAP-2 (Default) HR1/Internal Sp./PA | 25.00 |
| L-1654 | TK-5720/5820 Install KAP-2 HR1/External Sp./PA | 25.00 |
| L-1655 | Install Garmin GPS15XL-W in TK-5720/5820 mobiles for FleetSync® AVL | 100.00 |
| L-1656 | Assemble TK-5720/5820 with KRK-10 Remote Kit | 42.00 |
| L-1657 | Install KWD-AE20K in TK-5720/5820 Mobile (Must purchase module separately) | 75.00 |
| L-1658 | Install KWD-AE21K in TK-5720/5820 Mobile (Must purchase module separately) | 75.00 |
| L-1659 | Install KWD-DE21K in TK-5720/5820 Mobile (Must purchase module separately) | 75.00 |
| L-1695 | Install KWD-TR30 Trunking Option in TK-5720/5820 (Must purchase KWD-TR30 separately) | N/C |
| L-1697 | TK-5720/5820 KWD-TR30 FIELD-UPGRADE (Must purchase KWD-TR30 separately) | N/C |
| L-1698 | KPG-112D(N) Network Level ID (encrypted data file) Note: Enables Trunking system programming privileges; See KPG-112D(N) Network Level ID (Trunking System Privileges) - Restricted Purchase Requirements - L-1698- KPG-112D(N) Network Level ID (Trunking System Privileges) The KPG-112D(N) only ships with a "Dealer Level License ID" which permits Conventional FM and P25 Conventional radio programming privileges only. For radios with the P25 Trunking option installed, trunked/network programming privileges require a "Network Level License ID" generally reserved ONLY for the system owner or the system owners authorized operators/service centers. Purchasing the KPG-112D(N) Network Level License ID will require 1) Written verifiable authorization from the systems owner/operator. 2) The 3-digit hexadecimal P25 System ID from the system owner/operator. 3) Purchase of a L-1698 : KPG-112D(N) Network Level ID option. This option will include an encrypted KPG-112D(N) "System Key Data File" containing the 16-digit Network Level License ID & 3-digit hexadecimal System ID code. | 132.00 |
| L-1777 | Assemble TK-5720/5820 with KRK-13 Dual Remote Kit | 42.00 |

-- IMPORTANT NOTES --

Encryption modules, key loaders and radios containing encryption are export controlled by the U.S. Department of Commerce Bureau of Industry & Security EAR regulations and may either require an Export License, are eligible for a License Exception (ENC) or are exportable with No License Required (NLR) depending on the country, the consignee and the intended use. High level encryption is a special commodity that may require an export license to most countries. See www.bis.gov for more information regarding export regulations. DO NOT SHIP encryption items outside the U.S. without proper DOC/BIS Export Licenses and/or compliances.

Kenwood may request the following information to be submitted at time of order (this information must meet Kenwood internal approvals prior to shipment even if being returned to Kenwood later:

a) Initial Destination: Initial delivery point if different from Ultimate Destination
(customer distribution center, headquarters, dealership, manufacturer's representative)

* Business/Agency Name:

* Address:

* Contact Person Name:

* Contact Phone:

b) Ultimate Destination: Final delivery point(s); deployment/distribution

* Business/Agency Name:

* Address:

* Contact Person Name:

* Contact Phone:

c) Intended Use of Radios: Law enforcement, security, operations, etc.

KWD-AE20 AES FIPS140-2 SCM , NIST Validation & Customer Shipping

A secure delivery method direct to the end user customer is required by the NIST AES FIPS 140-2 validation rules. For U.S. Federal Government entities the SCM must ship from Kenwood USA Corporation directly to the end user customer by a trusted carrier (FEDEX, UPS or a designated Kenwood USA Corporation employee); shipping/handling by a dealer or other entity is not acceptable. This may or may not be required by local/state government agencies or business/industrial users. Please check with the end use customer about their AES encryption handling requirements before ordering. Kenwood will not be responsible for shipments of KWD-AE20K modules to erroneous destinations specified on an order.

[Table of Contents](#)

TK-5910

700/800 MHz FM Analog & P25 Digital Mobile Radio

5910 series mobile includes:

- RF Deck Only
 (Configuration Set & Assembly Labor Code must be order for a Complete Mobile.)
- Premium Warranty: 3 Years*

* All Accessories / options: 1 Year

GENERAL FEATURE

- 30W (763-806 MHz)
- 35W (806-870 MHz)
- 100 Zones / 1024 Channels
- Personality Lists
- Zone/CH Voice Announce
- Emergency Features
- Intercom
- Public Address
- Time Out Timer
- Busy Channel Lockout
- Ignition Sense
- Timed Power Off
- DB-25 & 9-Pin Accessory Connectors
- Transceiver Password
- Date & 12/24 Hour Time Clock
- Windows® Programming & Tuning
- Windows® Firmware Uploading
- Field-Programming & Tuning
- Voice Guide & Storage (option)
- MIL-STD 810 C/D/E/F/G, IP-54
- MIL-STD Noise-Cancel Mic (included)
- MIL-STD 12-Key DTMF Mic Option

MOUNTING CONFIGURATIONS

- Dash Mount
- Single Control Head Remote Mount
- Handheld Control Remote Mount
- Dual Control Head Remote Mount

FRONT PANELS/CONTROL HEADS

- Backlit Dot Matrix LCD
- 3-Digit Sub-Display
- Transmit LED
- Busy/Call Alert/Warn LED
- LCD Brightness Control
- Backlit Keys
- MIL-STD 810 512.X Driven Rain

KCH-14 Front Panel

- 12-Character Alphanumeric Aliases
- 5 PF & UP/DOWN Keys
- PF Key Label Inserts
- Built-in Front Speaker

KCH-15 Front Panel

- 14-Character Alphanumeric Aliases
- 11 PF Keys & UP/DOWN Keys
- PF Key Label Inserts
- External Speaker Required

KHC-16 Handheld Control Head

- 14-Character Alphanumeric Aliases
- 5 PF Keys & UP/DOWN/LEFT/RIGHT Keys
- Front PF Keys Name Display
- 12-Key DTMF/Function Keypad
- External Speaker Required

P25 DIGITAL

- P25 Digital Conventional
- P25 Digital Trunking
- AMBE+2™ Enhanced VOCODER
- Talk Group ID Lists
- Individual ID Lists
- Caller ID Display
- RSSI Indicator
- Remote Monitor / Check, Radio Inhibit
- Encryption Key Zeroize & Retention
- DES Encryption Module Option
- AES & DES Encryption Module Option
- KPG-43AM Radio Program/Soft-Key Loader Cable
- KPG-94 KVL Device Key Loader Cable
- P25 GPS Location
- P25 OTAR Option

SCAN TYPES (FM & P25)

- Single Zone/Multi-Zone Scan
- Scan Lists
- Conventional Scan
- Limited Talk Group Scan
- Priority Monitor Scan
- Dual Priority Scan

FM

- QT / DQT
- Operator Selectable Tone
- DTMF Encode
- Horn Alert Output
- Companded Audio
- NPSPAC Channels

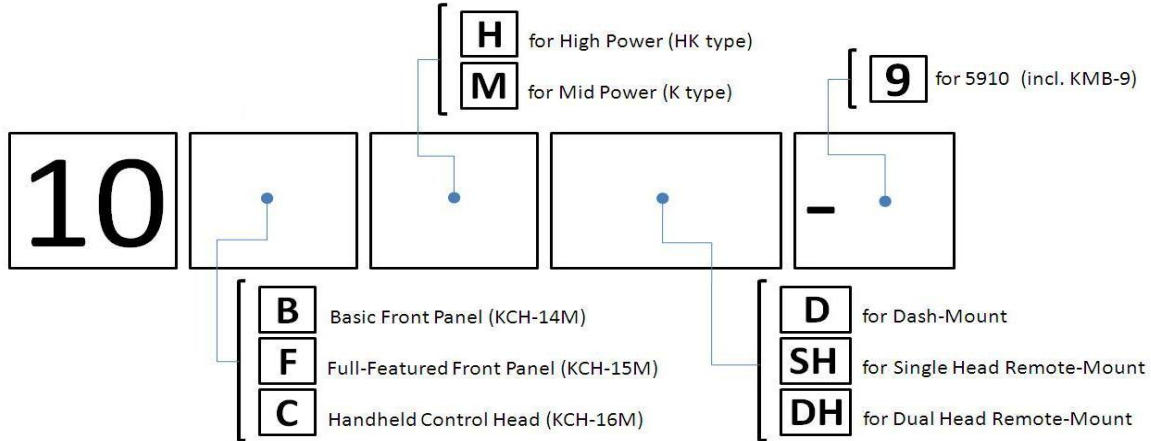


| MODEL | LIST |
|--|-------------|
| TK-5910BK 700/800 MHz 2-30/35W 100 Zones/1024 Channels (R.F. DECK ONLY) | 1,875.00 |

ACCESSORY CONFIGURATION SETS

LIST

CONFIGURATION SET DEFINITIONS



Dash Mount

| | | |
|---------|--|-----------------------|
| 10BMD-9 | KCH-14M, KCT-23M, KMB-9, KMC-27 | LIST 676.25 |
| 10FMD-9 | KCH-15M, KCT-23M, KMB-9, KMC-27, KES-5 | 737.50 |

Single Head Remote Mount

| | | |
|----------|--|-----------------------|
| 10BMSH-9 | KCH-14M, KRK-5, KCT-22M2, KCT-23M3, KMB-9, KMC-27 | LIST 910.50 |
| 10FMSH-9 | KCH-15M, KRK-5, KCT-22M2, KCT-23M3, KMB-9, KMC-27, KES-5 | 971.75 |

Dual Head Remote Mount

| | | |
|----------|--|-------------------------|
| 10BMDH-9 | KCH-14M(x2), KRK-6DH, KCT-22M2(x2), KCT-23M3, KMB-9, KMC-27(x2) | LIST 1,707.50 |
| 10FMDH-9 | KCH-15M(x2), KRK-6DH, KCT-22M2(x2), KCT-23M3, KMB-9, KMC-27(x2), KES-5(x2) | 1,830.00 |

Handheld Control Head Remote

| | | |
|--------|--|-------------------------|
| 10CMSH | KCH-16M, KRK-11M, KCT-22M2, KCT-23M3, KMB-9, KES-5 | LIST 1,046.25 |
|--------|--|-------------------------|

FRONT PANELS & REMOTE KITS (Order Configuration Sets for full install accessories)

LIST

| | | |
|---------|---|--------|
| KCH-14M | Basic Remote Control Head w/ 12 Alphanumeric Display (4W Front Speaker) Note: All KCH-14 / Basic Control Head configurations are shipped with the control heads 4W internal speaker enabled. Order L-1008 to enable the 13W external speaker output for KES-5 speaker use. This will disconnect the control heads internal 4W speaker ! | 504.00 |
| KCH-15M | Full-Featured Remote Control Head w/ 14 Alphanumeric Display Note: requires an external speaker | 504.00 |
| KRK-5 | Single Control Head Remote Mount Kit | 147.00 |
| KRK-6DH | Dual Control Head Remote Mount Kit | 252.00 |

HANDHELD CONTROL HEAD REMOTE (Order Configuration Sets for full install accessories)

LIST

| | | |
|---------|--|--------|
| KCH-16M | Handheld Control Head for P25 Mobiles Note: requires KRK-11M, KCT-22M/M2/M3, & KES-5 | 546.00 |
| KRK-11M | KCH-16M HHCH Interface Kit for Single Head Remote | 283.50 |

CABLES

LIST

| | | |
|----------|--|-------|
| KCT-18 | Ignition sense cable | 13.70 |
| KCT-22M | Control cable - 8 Feet | 73.50 |
| KCT-22M2 | Control cable - 17 Feet (Standard accessory config. set cable) | 84.00 |
| KCT-22M3 | Control cable - 25 Feet | 94.50 |
| KCT-23M | DC Cable (Dash mount) | 31.50 |
| KCT-23M3 | DC Cable (Remote mount) | 34.75 |

MOBILE INSTALLATION ACCESSORIES

LIST

| | | |
|-------|--|-------|
| KLF-2 | Line Filter (suppresses alternator whine, 25dB, 25A max) | 42.00 |
| KMB-9 | Heavy Duty Mounting Bracket with built-in key lock | 36.75 |

MICROPHONES AND SPEAKERS

LIST

| | | |
|--------|--|--------|
| KES-5 | External Speaker (40W max input) | 61.25 |
| KMC-27 | MIL-SPEC noise-canceling mobile hand microphone | 104.00 |
| KMC-28 | MIL-SPEC DTMF noise-canceling mobile hand microphone | 163.00 |
| KMC-9B | Desk top microphone | 96.50 |

SERVICE RELATED ACCESSORIES

LIST

| | | |
|-----------|--|--------|
| KPG-95DGK | Windows® Programming Software for TK-5x10 & TK-5x10G Portables & Mobiles (Compliant with FCC Part 90 Narrowbanding) Note: Self-programming function is not available. | 628.00 |
|-----------|--|--------|

Analog & P25 Conventional Programming

A "Dealer-Level" License ID is included with each KPG-95D/DG(N)K which only permits full analog conventional and P25 conventional programming. Data files created with a "Network-Level Licensed" KPG-95D/95DG(N) and containing P25 programmed P25 trunked network parameters can be loaded and viewed with a Dealer-Level Licensed KPG-95D/DG(N)K, but the trunked network parameters cannot be changed.

P25 Trunked Programming Capability (licensed by either 1 or 2 below):

1. KPG-95DG(N)K with System Key File (*.SKF)- See L-989

- For all TK-5x10 radio platforms (VER1, 2, 3 or later).
- 3-digit HEX System ID (HSID) and verifiable written authorization required from trunked system operator (SYSOP).
- Purchase KPG-95DG(N)K & L-989 Network-Level License ID
- Kenwood ships an encrypted *.SKF file on CD ROM
- The *.SKF securely embeds/encrypts the 16-digit Network Level License ID & the HSID.

2. KPG-95DG(N)K with Advanced Network Keys (ANK's)

- For TK-5x10G/5410/5910 VER 3 or later radio platforms only.
- SYSOPs: Refer to KWD-ANK-MK Master Key
- Dealers/contractors: Refer to KWD-ANK-AK Access Key

| | | |
|------------|---|--------|
| KWD-ANK-MK | Master Key for activating KWD-ANK-AK Access Keys - Restricted Purchase Requirements - | 500.00 |
|------------|---|--------|

Notes:

- For TK-5x10G/5410/5910 VER 3 or later radio platforms only.
- Sold to SYSOP or SYSOP authorized entities only
- Must have KPG-95DG(N)K (V7.0 or later) with L-989 Network-Level License ID
- SYSOP must provide 3-digit HEX HSID to Kenwood.
- Purchase KWD-ANK-AK Access Keys if needed.
- Battery Life: 3 years (non-serviceable; key must be replaced)

| | | |
|------------|---|--------|
| KWD-ANK-AK | Access Key for KPG-95DG(N)K P25 trunked programming | 208.00 |
|------------|---|--------|

Notes:

- For TK-5x10G/5410/5910 VER 3 or later radio platforms only
- Must be activated by a SYSOP with KWD-ANK-MK Master Key.
- Must have KPG-95DG(N)K (V7.0 or later); L-989 is NOT required.
- Battery Life: 3 years (non-serviceable; key must be replaced)

| | | |
|----------|---------------------------------|--------|
| KPG-43UM | USB Programming interface cable | 158.50 |
|----------|---------------------------------|--------|

| | | |
|--------|--|--------|
| KPG-94 | Key Loader Interface Cable for Motorola KVL-3000/3000 Plus | 262.50 |
|--------|--|--------|

| | | |
|--|---|-----|
| ***** | | |
| Contact Kenwood Parts for Price and Availability 800-367-7514 on the following: | | |
| K29-5276-03 | Key Inserts for 90-Series/TK-5710/5810/5910 (AN, D/A, DIM, HA, HC, IC, MON, OPT, OST, PA) | --- |
| K29-5277-03 | Key Inserts for 90-Series/TK-5710/5810/5910 (RCL, RPT, SCN, SP, SPM, SQ, TA, <up arrow>, <down arrow>, 1x Clear key insert) | --- |
| K29-5305-03 | Key Inserts for 90-Series/TK-5710/5810/5910 (CH1, CH2, CH3, CH4, CH5, AUXA, AUXB, AUXC, EMG, ORG) | --- |
| K29-9353-13 | Key Inserts for TK-5710/5810/5910 (2TN, AD, AR, CLK, FNC, PBK, SCP, SEC, SEL, SES) | --- |
| K29-9354-03 | Key Inserts for TK-5710/5810/5910 (GPS, STS, TAC, TON, RES, IDV, KDL, TGR, 2x Clear key inserts) | --- |
| K29-9356-03 | Key Inserts for TK-5710/5810/5910 (PAG, SIT, SRC, 7 X Clear key inserts) | --- |

FRIMWARE OPTIONS

LIST

| | | |
|----------|--|--------|
| KWD-RK20 | OTAR Option for KWD-AE20K Encryption Module in TK-5x10 series (OTAR in P25 Conventional & Trunked Modes) • Requires KWD-AE20K module. • L-1108 (for portable) & L-1109 (for mobile) Installation (no charge) • L-1733 (for portable) & L-1734 (for mobile) Field Upgrade Option Note: • Supports OTAR in P25 Conventional & Trunked modes (Not compatible with GK7 64 CH Model) • Compatible with Motorola KMF P25 OTAR (excludes Motorola-proprietary non-TIA/P25 KMF features) • Requires KPG-95D/DG(N) V7.10 or later for radio programming • TK-5x10 VER2: Requires KPG-95D V5.40 or later for radio programming • TK-5410/5910: Requires KPG-95D V6.00 or later for radio programming • TK-5x10G: Requires KPG-95DG(N) for radio programming • TK-5x10 VER2: Option deletes self-programming, cloning and analog FleetSync® (except PTT ID/Emergency) when installed. KWD-RK20 is an U.S. DOC/BIS Export Controlled Item (ECCN 5D002A) - See IMPORTANT NOTES - | 830.00 |
|----------|--|--------|

SOFTWARE OPTIONS

LIST

| | | |
|-----------|--|--------|
| KPG-113AE | AES/DES Encryption Software Key Loader for KWD-DE21K/KWD-AE21K KPG-113AE is a U.S. DOC/BIS Export Controlled Item (ECCN 5D002A) - See IMPORTANT NOTES - | 525.00 |
| KPG-114DE | DES Encryption Software Key Loader for KWD-DE21K/KWD-AE21K KPG-114DE is a U.S. DOC/BIS Export Controlled Item (ECCN 5D992A.1) - See IMPORTANT NOTES - | 368.00 |

OPTION MODULES

LIST

| | | |
|-----------|--|--------|
| KWD-AE20K | AES FIPS140-2 & DES Encryption Module for TK-5*10 and 5*20 Portables & Mobiles Order a Labor Code (L-1345) if installation is required. KWD-AE20K requires: a Motorola KVL3000 Plus key loader device. KWD-AE20K is an U.S. DOC/BIS Export Controlled Item (ECCN 5A002A.1) - See IMPORTANT NOTES - | 998.00 |
| KWD-AE21K | AES & DES Encryption Module for TK-5*10 and 5*20 Portables & Mobiles Order a Labor Code (L-1346) if installation is required. Note: Requires KPG-113AE software key loader or Motorola KVL3000 Plus key loader device. KWD-AE21K is an U.S. DOC/BIS Export Controlled Item (ECCN 5A002A.1) - See IMPORTANT NOTES - | 998.00 |
| KWD-DE21K | DES Encryption Module for TK-5*10 and 5*20 Portables & Mobiles Order a Labor Code (L-1602) if installation is required Note: Requires KPG-114DE or KPG-113AE software key loader or Motorola KVL3000 Plus key loader device KWD-DE21K is a U.S. DOC/BIS Export Controlled Item (ECCN 5A992A) - See IMPORTANT NOTES - | 578.00 |

INSTALLATION / TUNING CHARGES

LIST

| | | |
|-------|--|--------|
| L-862 | Install Front Panel PF Key Label Inserts in TK-5*10/90-series Mobile (key names and positions must be specified) | 15.00 |
| L-864 | KCT-22A Extended Control Head Cable (Specify length in 1 ft increments up to 50 ft. max.) | 190.00 |
| L-865 | KCT-22A Extended Control Head Cable (Specify length in 1 ft. increments up to 100 ft. max.) Extended control head cables: Extended cables result in a loss of control head audio power. On KCH-14 use 13W audio output modifications per service manual Use a standard KCT-22 25 ft. or less cable for firmware installation. Normal KPG-95D radio programming is possible at extended lengths. | 245.00 |
| L-962 | Install VGS-1 Voice Guide & Storage Unit | 25.00 |

INSTALLATION / TUNING CHARGES - CONT'D

LIST

| | | |
|--------|---|--------|
| L-989 | KPG-95D/95DG(N) Network Level ID (encrypted data file) Note: Enables Trunked system programming privileges in a KPG-95DG(N)K. - Restricted Purchase Requirements - • 3-Digit HEX System ID (HSID) from SYSOP required • Must Purchase KPG-95DG(N)K (V7.0 or later) with L-989 • Kenwood ships an encrypted *.SKF file on CD ROM • Non-SYSOP entities ordering L-989 must provide verifiable written authorization from SYSOP to receive an *.SKF file. • The 16-digit Network Level License ID & 3-digit HEX HSID are securely encrypted & embedded in the *.SKF file. | 132.00 |
| L-1005 | TK-5*10 Programming (Basic TX/RX check only with factory test freq.s or dealer/customer provided KPG-95D/DG(N) data file) | 125.00 |
| L-1008 | External Speaker modification for TK-5*10 mobile Control Head (13W) Note: All Basic Control Head (KCH-14M) configurations are shipped with the control heads 4W internal speaker enables. Order L-1008 to enable the 13W external speaker output for KES-5 speaker use. This will disconnect the control heads internal 4W speaker! | 10.00 |
| L-1028 | Package Dash/Single Head Remote for 5*10 mobiles | 17.00 |
| L-1029 | Package Dual Head Remote for 5*10 mobiles | 34.00 |
| L-1110 | Package HHCH Remote for 5*10 mobiles | 25.00 |
| L-1345 | Install KWD-AE20K in TK-5*10 Mobile (Must purchase module separately) | 75.00 |
| L-1346 | Install KWD-AE21K in TK-5*10 Mobile (Must purchase module separately) | 75.00 |
| L-1602 | Install KWD-DE21K in TK-5*10 Mobile (Must purchase module separately) | 75.00 |
| L-1734 | KWD-RK20 Field Upgrade Option for TK-5x10/5x10G/5910 (Must purchase KWD-RK20 separately) | 42.00 |

-- IMPORTANT NOTES --

Encryption modules, key loaders and radios containing encryption are export controlled by the U.S. Department of Commerce Bureau of Industry & Security EAR regulations and may either require an Export License, are eligible for a License Exception (ENC) or are exportable with No License Required (NLR) depending on the country, the consignee and the intended use. High level encryption is a special commodity that may require an export license to most countries. See www.bis.gov for more information regarding export regulations. **DO NOT SHIP** encryption items outside the U.S. without proper DOC/BIS Export Licenses and/or compliances.

Kenwood may request the following information to be submitted at time of order (this information must meet Kenwood internal approvals prior to shipment even if being returned to Kenwood later:

a) Initial Destination: Initial delivery point if different from Ultimate Destination (customer distribution center, headquarters, dealership, manufacturer's representative)

* Business/Agency Name:

* Address:

* Contact Person Name:

* Contact Phone:

b) Ultimate Destination: Final delivery point(s); deployment/distribution

* Business/Agency Name:

* Address:

* Contact Person Name:

* Contact Phone:

c) Intended Use of Radios: Law enforcement, security, operations, etc.

KWD-AE20 AES FIPS140-2 SCM , NIST Validation & Customer Shipping

A secure delivery method direct to the end user customer is required by the NIST AES FIPS 140-2 validation rules. For U.S. Federal Government entities the SCM must ship from Kenwood USA Corporation directly to the end user customer by a trusted carrier (FEDEX, UPS or a designated Kenwood USA Corporation employee); shipping/handling by a dealer or other entity is not acceptable. This may or may not be required by local/state government agencies or business/industrial users. Please check with the end use customer about their AES encryption handling requirements before ordering. Kenwood will not be responsible for shipments of KWD-AE20K modules to erroneous destinations specified on an order.

KENWOOD

WSCA 06913

This searchable pdf document contains all Kenwood radio equipment offered through WSCA contract number 06913. The prices shown are Manufacturers Suggested Retail Price (MSRP) and the discount off the shown price is 30%.

Tier III, Single Band, Mobile And Portable Radios And Accessories

Contract Discount Is 30% Off Shown MSRP

Services; Per Hour Cost

Equipment configuration and System Design \$150.00

Technical Support Services \$150.00

Equipment Installation \$115.00

Equipment Repair \$115.00

Training \$115.00



Table of Contents:

PORTABLES

[NX-200 / 300](#)

[NX-200G / 300G](#)

[NX-210](#)

[NX-210G](#)

[NX-220 / 320](#)

[NX-240V / 340U](#)

[NX-410 / 411](#)

[NX-420](#)

[TK-190](#)

[TK-290 / 390](#)

[TK-2140 / 3140](#)

[TK-2170 / 3170](#)

[TK-2180 / 3180](#)

[TK-3173](#)

[TK-2360 / 3360](#)

[TK-2312 / 3312](#)

[TK-2400 / 3400](#)

[TK-2400VP / 3400UP](#)

[TK-2402V / 3402U](#)

[TK-3230](#)

[PKT-23LT](#)

MOBILES

[TK-690 / 790 / 890](#)

[NX-700 / 800](#)

[NX-720HGK / 820HGK](#)

[NX-740HV / 840HU](#)

[NX-900 / 901](#)

[NX-920GK](#)

[TK-7180 / 8180](#)

[TK-7360HV / 8360HU](#)

[TK-7302HV / 8302HU](#)

[TK-6110](#)

NX-5000 SERIES

[NX-5200 / 5300](#)

[NX-5400](#)

[NX-5700 / 5800](#)



NEXEDGE™



NX-5200/5300

Table of Contents

VHF/UHF Digital & FM Analog Portable Radios



<Standard Key Model > <Full Key Model >

All NX-5000 series portables include:

- Belt Clip (KBH-11)
- Universal Connector Cap
- User Guide
- Premium Warranty: 3 Years**

All Accessories / options: 1 Year

Purchase Battery, Charger, Antenna separately

** **Note:** To maintain immersion specs (IP67/68), all warranty service must be done by one of the three National Kenwood Authorized Service Centers. IP67/68 Certification is valid under the 3 year premium warranty. No re-certification is available.

Because of spurious signal (birdie), the following frequencies (and ±10kHz ranges) are not allowed;

- 144.0000 • 384.0000 • 460.8000
- 147.4560 • 403.2000 • 480.0000
- 153.6000 • 422.4000 • 499.2000
- 172.0325 • 432.0000 • 518.4000
- 172.8000 • 441.6000

STANDARD

■ GENERAL FEATURES

- 5 W (136-174 MHz) Models
- 5 W (380-470, 450-520 MHz) Models
- 1024 CH-GID / 128 Zones
- Standard Key Models (w/o numeric keypad)
- Full Key Models (w/ numeric keypad)
- Full Color 1.74" (240 x 180 pixels) Transflective TFT Display
- Multi-line Text Display
- Function/Status Icons
- Multi-Language Display*
- Date & 12/24 Hour Time Clock
- Transmit/Busy/Call Alert/Warn LED
- On/Off Volume Knob
- 16-Position Mechanical Selector (w/ a stopper)
- 4-way Directional-pad (D-pad)
- 2 Position Lever Switch
- Emergency/AUX Key
- 3 Side PF Keys
- 1W Speaker Audio
- Emergency Call Features
- Built-in GPS Receiver / Antenna
- Built-in Bluetooth® Module for hands-free operation
- Built-in Motion Sensor
- Built-in 56-bit DES Encryption *
- Active Noise Reduction (ANR)
- KPG-D1N Windows® FPU
- Flash Firmware Upgrading
- MIL-STD-810 C/D/E/F/G
- IP67/68 Immersion

■ DIGITAL-NXDN® MODE

- NXDN® Conventional / TYPE-C Trunking
- AMBE+2™ VOCODER
- 6.25 & 12.5 kHz Channels
- Over-the-Air Alias
- Over-the-Air Programming (requires KPG-180AP OTAP Manager Software)*
- Paging Call *
- Emergency Call
- All Group Call
- Status Messaging
- Remote Stun/Kill/Check
- Short & Long Data Messages
- GPS Location
- NXDN® Scrambler

■ ANALOG MODE

- Conventional Zones
- LTR® Zones *
- FleetSync®/II*: PTT ID ANI, Caller ID Display, Selective/Group Call, Emergency Status, Text Messages
- MDC-1200*: PTT ID ANI, Caller ID Display, Emergency, Radio Check & Inhibit
- QT / DQT
- Two-Tone* (Conventional Zones Only)
- DTMF*
- Built-in Voice Inversion Scrambler

* Future Availability

OPTIONAL

■ GENERAL FEATURES

- 4000 CH-GID / 128 Zones (KWD-5000CH License Key Activation required)
- Front Panel Programming (KWD-5001FP License Key Activation required)
- microSD/microSDHC Memory Card Slot (KWD-5002SD License Key Activation required)
- Built-in Bluetooth® Module for Data (KWD-5003BT** License Key Activation required)
- 256-bit AES Encryption (KWD-AE30K/31K Encryption Module required)
- Battery Management Solution (KSC-Y32K Charger & KAS-12K Software License Key required)

■ DIGITAL - P25 MODE

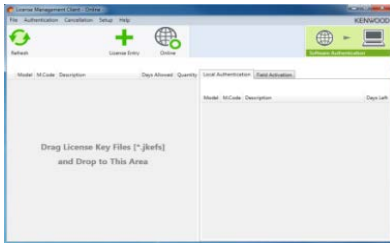
- Conventional Features (KWD-5100CV License Key Activation required)
- Phase 1 Trunking Features (KWD-5100CV & 5101TR License Keys Activation required)
- Phase 2 Trunking Features (KWD-5100CV & 5101TR & 5102TR License Keys Activation required)
- Conventional OTAR (KWD-5103RK License Key Activation required)
- Trunking OTAR (KWD-5103RK & 5106DT License Keys Activation required)
- Conventional Voting Scan (KWD-5105VT** License Key Activation required)
- Packet Data required for Trunked OTAR/GPS/Text (KWD-5106DT License Keys Activation required)

** Future Availability

| RADIO | | | LIST |
|----------------------------|-----------------------------|-------------------------------------|-----------|
| Standard Key Models | | | |
| NX-5200K2 | VHF (136-174MHz), 5.0 Watts | NXDN Conventional / TYPE-C Trunking | \$ 825.00 |
| NX-5300K2 | UHF (450-520MHz), 5.0 Watts | NXDN Conventional / TYPE-C Trunking | \$ 825.00 |
| NX-5300K5 | UHF (380-470MHz), 5.0 Watts | NXDN Conventional / TYPE-C Trunking | \$ 825.00 |
| Full Key Models | | | |
| NX-5200K3 | VHF (136-174MHz), 5.0 Watts | NXDN Conventional / TYPE-C Trunking | \$ 875.00 |
| NX-5300K3 | UHF (450-520MHz), 5.0 Watts | NXDN Conventional / TYPE-C Trunking | \$ 875.00 |
| NX-5300K6 | UHF (380-470MHz), 5.0 Watts | NXDN Conventional / TYPE-C Trunking | \$ 875.00 |

LICENSING SYSTEM

LIST



**KPT-300LMC
 License Management Client**

KPT-300LMC is a required software package that is used to authenticate **software (FPU)** and **radio feature license** keys for the NX-5000 Series radios.

KPT-300LMC is available as a free download from Kenwood Tools and is also supplied with applicable software, such as KPG-D1NK, KAS-12, and KPG-AE1/DE1.

NOTE: A license key is required for the KPT-300LMC to authenticate the software prior to use. To receive a license key, complete the enclosed **"Account Request Form"** and return to the Land Mobile Order Desk.

Note: KPT-300LMC is compatible with Windows Vista/7/8/8.1 Only. Windows XP is not supported.

License Keys will be E-Mailed to the address provided on the Account Request Form.

| | | |
|------------|---------------------------|----|
| KPT-300LMC | License Management Client | NC |
| L-5000 | KPT-300LMC License Key | NC |

SOFTWARE LICENSE OPTIONS

TO PLACE AN ORDER FOR SOFTWARE (FPU):

1. Complete the attached KPG-D1NK Software License Key Request Form.
2. Submit along with your PO to the Land Mobile Order Desk via:
 - a) E-Mail: lmrorderdesk@us.jvckenwood.com
 - b) Fax: (310) 761-8246
3. License Keys will be E-mailed to the address provided on the order form. A hard copy will follow by mail for your records.

* A unique license key is required for each PC with KPG-D1NK installed. A single license key will not authorize multiple PCs.

| | | |
|----------|--|-----------|
| KPG-D1NK | License Key for KPG-D1NK Programming Software for NX-5000 Portable/Mobile (Windows® Vista/7/8/8.1) Note: Requires KPT-300LMC for authentication | \$ 155.00 |
|----------|--|-----------|

P25 Trunked Programming Capability (licensed by either 1 or 2 below):

1. KPG-D1NK with System Key File (*.SKF)- See L-5005
 - For NX-5000 series radios.
 - 3-digit HEX System ID (HSID) and verifiable written authorization required from trunked system operator (SYSOP).
 - Purchase KPG-D1NK & L-5005 System Key File
 - Kenwood ships an encrypted *.SKF file on CD ROM
 - The *.SKF securely embeds/encrypts the 16-digit Network Level License ID & the HSID.
2. KPG-D1NK with Advanced System Keys (ASK's)
 - For NX-5000 series radios.
 - SYSOPs: Refer to KWD-ASK-MK Master Key
 - Dealers/contractors: Refer to KWD-ASK-AK Access Key
 - KPG-D1NK supports up to 16 KWD-ASK-AK Access Keys (16 trunked networks).

| | | |
|---------|--|----------|
| KAS-12K | License Key for KAS-12 Battery Reader Software for KNBL1/2/3/ & KSC-Y32 (Windows® Vista/7/8/8.1) Note: Requires KPT-300LMC for authentication | \$ 85.00 |
|---------|--|----------|

| Software License Key Discount Structure | | |
|--|--|---------|
| 1 License Key | | --- |
| 2~4 License Keys | | 10% OFF |
| 5 ~ 14 License Keys | | 35% OFF |
| 15~24 License Keys | | 40% OFF |
| 25+ License Keys | | 45% OFF |

RADIO FEATURE LICENSE OPTIONS

PCs registered under the same KPT-300LMC Account Registration Key (License Key) will be able to authentic Radio Features that can then be viewed / shared / managed by all registered users for the account.

*** TO PLACE AN ORDER FOR RADIO FEATURE LICENSES:**

1. Complete the attached Radio Feature Request Form.
2. Submit the completed form along with your PO to the Land Mobile Order Desk via:
 - a) E-Mail: lmrorderdesk@us.jvckenwood.com
 - b) Fax: (310) 761-8246
3. License Keys will be E-mailed to the address provided on the request form. A hard copy will follow by mail for your records.

Note: Radio Feature License Keys are not transferable from a radio to a radio. Once a Radio Feature License has been authenticated in one radio, it can not be transferred to another radio.

GENERAL RADIO FEATURES

LIST

| | | |
|------------|---|-----------|
| KWD-5000CH | License Key for 4000 CH/GID Expansion | \$ 420.00 |
| KWD-5001FP | License Key for Front Panel Programming | \$ 300.00 |
| KWD-5002SD | License Key for microSD Memory Card Slot Activation | \$ 105.00 |
| KWD-5003BT | License Key for Bluetooth Serial Port Profile [Available 2015 2Q] | \$ 35.00 |

P25 RADIO FEATURES

LIST

| | | |
|------------|---|-----------|
| KWD-5100CV | License Key for P25 Conventional | \$ 575.00 |
| KWD-5101TR | License Key for P25 Phase 1 Trunking (requires KWD-5100CV) | \$ 520.00 |
| KWD-5102TR | License Key for P25 Phase 2 Trunking (requires KWD-5100CV & KWD-5101TR) | \$ 400.00 |
| KWD-5103RK | License Key for P25 OTAR (requires KWD-5106DT for a Trunking Operation) | \$ 700.00 |
| KWD-5105VT | License Key for P25 Conventional Voting Scan [Available 2015 2Q] | \$ 120.00 |
| KWD-5106DT | License Key for P25 Packet Data (requires for Trunked OTAR/GPS/Text) | \$ 180.00 |

ANTENNAS

LIST

| | | |
|----------|---|----------|
| KRA-26M | VHF helical antenna 146-162 MHz | \$ 14.00 |
| KRA-26M2 | VHF helical antenna 162-174 MHz | \$ 14.00 |
| KRA-26M3 | VHF helical antenna 136-150 MHz | \$ 14.00 |
| KRA-27M | UHF whip antenna 440-490 MHz | \$ 14.00 |
| KRA-27M2 | UHF whip antenna 470-520 MHz | \$ 14.00 |
| KRA-27M3 | UHF whip antenna 400-450 MHz | \$ 14.00 |
| KRA-22M | VHF low-profile helical antenna 148-162 MHz | \$ 13.70 |
| KRA-22M2 | VHF low-profile helical antenna 162-174 MHz | \$ 13.70 |
| KRA-22M3 | VHF Low-profile helical antenna 136-150 MHz | \$ 13.70 |
| KRA-23M | UHF low-profile helical antenna 450-490 MHz | \$ 13.70 |
| KRA-23M2 | UHF low-profile helical antenna 470-512 MHz | \$ 13.70 |
| KRA-23M3 | UHF low-profile helical antenna 403-430 MHz | \$ 13.70 |
| KRA-25 | High gain VHF helically loaded whip antenna 148-162 MHz | \$ 34.25 |

BATTERIES AND CHARGERS

LIST

| | | |
|----------|--|-----------|
| KNB-L1M | Li-ion 2000mAh (Compact Slim) | \$ 115.00 |
| KNB-L2M | Li-ion 2600mAh (Standard) | \$ 135.00 |
| KNB-L3M | Li-ion 3400mAh (High Capacity) | \$ 175.00 |
| KSC-Y32K | Rapid rate single unit charger (Long-Life Charge Mode capable with KAS-12 Software) Note: NiMH/Li-ion battery only | \$ 115.00 |
| KAS-12K | License Key for KAS-12 (Authentication required) Battery Reader Software for KNB-L1M/L2M/L3M & KSC-Y32 (Windows® Vista/7/8/8.1) | \$ 85.00 |
| KSC-32 | Rapid rate single unit charger | \$ 70.00 |
| KSC-326K | Rapid rate 6-unit charger | \$ 630.00 |
| KMB-30M | Wall Mount Bracket for KSC-326K/256K | \$ 33.75 |
| KVC-15 | Rapid rate DC vehicular charger adapter for the KSC-32 (chargers not included; includes KSC-mobile bracket & cigarette lighter cable DC adapter) | \$ 119.00 |

| CARRYING ACCESSORIES | | LIST |
|-----------------------------|---|-------------|
| KBH-11 | Spring action belt clip (2.5") | \$ 14.70 |
| KBH-8DS | Leather swivel belt loop with portable D-Ring attachment | \$ 26.30 |
| KLH-6SW | Leather swivel belt loop / detachable swivel D-Ring back | \$ 22.00 |
| KLH-137ST | Firemen's Heavy-Duty Leather Shoulder Strap for a Heavy-Duty Leather Case | \$ 36.75 |
| KLH-200K3 | Heavy duty leather carrying case for NX-5000-series (for both K2 & K3 models) | \$ 44.25 |
| KLH-201K3 | Nylon carrying case for NX-5000-series (for both K2 & K3 models) | \$ 26.30 |

| MICROPHONES & AUDIO ACCESSORIES | | LIST |
|--|--|-------------|
| KMC-54WDM | MIL-SPEC, IP67 (Immersion) Speaker Mic Compatible with ANR Feature Note: only compatible with a NX-5000 series portable | \$ - |
| KMC-42WDM | MIL-SPEC, IP67 (Immersion) Noise-canceling Speaker Mic | \$ 114.00 |
| KMC-49 | MIL-SPEC, Speaker Mic. with Antenna Connector Note: 5/16" Coax cable hex wrench included (antenna is not included). | \$ 250.00 |
| KEP-1 | 3.5mm earphone kit for KMC-41/42W/54W Speaker Mics | \$ 52.50 |
| KEP-2 | 2.5mm earphone kit for KMC-49 Speaker Mic | \$ 52.50 |
| KEP-3 | 30" Earphone kit w/ 2.5mm plug for KCT-30 | \$ 51.50 |
| KEP-4 | 48" Earphone kit w/ 2.5mm plug for KCT-30 | \$ 54.75 |
| KCT-30 | 2.5mm Audio Accessory Adapter for KEP-3/4 | \$ 64.00 |
| KCT-51 | Hirose 6-pin Adapter (adapts KVL/aftermarket audio acc. to portable connector) | \$ 215.00 |
| KHS-11BL | 2-wire palm mic w/earphone, universal connector (Black) | \$ 156.50 |
| KHS-12BL | 3-wire mini lapel mic w/earphone, universal connector (Black) | \$ 184.00 |
| KHS-14 | Lt. Wt. Single muff headset w/boom mic & In-line PTT | \$ 126.00 |
| KHS-15-BH | Hvy-duty noise reduction behind-the-headset w/noise cancelling boom mic & PTT | \$ 420.00 |
| KHS-15-OH | Hvy-duty noise reduction over-the-headset w/noise cancelling boom mic & PTT | \$ 368.00 |

| ENCRYPTION MODULES | | LIST |
|---------------------------|---|-------------|
| KWD-AE30K | AES FIPS140-2 & DES Encryption Module (Multi-Key) Order a Labor Code L-5003 if installation is required. KWD-AE30K requires: a Motorola KVL3000 Plus/4000 key loader device. KWD-AE30K is an U.S. DOC/BIS Export Controlled Item (ECCN 5A002A.1) | \$ 850.00 |
| KWD-AE31K | AES & DES Encryption Module (Multi-Key) Order a Labor Code L-5004 if installation is required. Note: Requires KPG-AE1/DE1 software key loader or Motorola KVL3000 Plus/4000 key loader device. KWD-AE31K is an U.S. DOC/BIS Export Controlled Item (ECCN 5A002A.1) | \$ 550.00 |
| KPG-AE1K | AES/DES Encryption Software Key Loader for KWD-AE31K Authentication by KPT-300LMC is required Note: KPG-AE1 is a U.S. DOC/BIS Export Controlled Item (ECCN 5D002A) | \$ 525.00 |
| KPG-DE1K | DES Encryption Software Key Loader for KWD-AE31K Authentication by KPT-300LMC is required Note: KPG-DE1 is a U.S. DOC/BIS Export Controlled Item (ECCN 5D992A.1) | \$ 368.00 |

| SERVICE RELATED ACCESSORIES | | LIST |
|------------------------------------|---|-------------|
| KPG-36UM | USB Programming interface cable | \$ 158.50 |
| KPG-93 | KVL-3000 Plus/4000 Interface Cable for P25 Portables | \$ 262.50 |
| KPG-93AUT | KVL-4000 Radio Authentication Cable [Available in 2015 2Q] | TBD |
| KWD-ASK-AK | Access Key for KPG-D1NK P25 trunked programming Notes: • For NX-5000 series only • Must be activated by a SYSOP with KWD-ASK-MK Master Key • Must have KPG-D1NK • Battery Life: 3 years (non-serviceable; key must be replaced) | \$ 208.00 |
| KWD-ASK-MK | Master Key for activating KWD-ASK-AK Access Keys - Restricted Purchase Requirements - Notes: • For NX-5000 series only. • Sold to SYSOP or SYSOP authorized entities only • Must have KPG-D1NK • SYSOP must provide 3-digit HEX HSID & the 16-digit Network Level License ID to Kenwood. • Purchase KWD-ASK-AK Access Keys if needed. • Battery Life: 3 years (non-serviceable; key must be replaced) | \$ 500.00 |

INSTALLATION / TUNING CHARGES **LIST**

| | | |
|--------|---|-----------|
| L-5002 | NX-5200/5300/5400 Programming (with basic TX/RX check) | \$ 37.50 |
| L-5003 | Install KWD-AE30K in NX-5000 series Portable (Must purchase module separately) | \$ 75.00 |
| L-5004 | Install KWD-AE31K in NX-5000 series Portable (Must purchase module separately) | \$ 75.00 |
| L-5005 | KPG-D1NK System Key File Note: Enables P25 Trunked system programming privileges in a KPG-D1NK. - Restricted Purchase Requirements - <ul style="list-style-type: none"> • 3-Digit HEX System ID (HSID) from SYSOP required • Must Purchase KPG-D1NK with L-5005 • Kenwood ships an encrypted *.SKF file on CD ROM • Non-SYSOP entities ordering L-5005 must provide verifiable written authorization from SYSOP to receive an *.SKF file. • The 16-digit Network Level License ID & 3-digit HEX HSID are securely encrypted & embedded in the *.SKF file. | \$ 132.00 |

-- IMPORTANT NOTES regarding ENCRYPTION MODULES--

Encryption modules, key loaders and radios containing encryption are export controlled by the U.S. Department of Commerce Bureau of Industry & Security EAR regulations and may either require an Export License, are eligible for a License Exception (ENC) or are exportable with No License Required (NLR) depending on the country, the consignee and the intended use. High level encryption is a special commodity that may require an export license to most countries. See www.bis.gov for more information regarding export regulations. DO NOT SHIP encryption items outside the U.S. without proper DOC/BIS Export Licenses and/or compliances.

Kenwood may request the following information to be submitted at time of order (this information must meet Kenwood internal approvals prior to shipment even if being returned to Kenwood later:

a) Initial Destination: Initial delivery point if different from Ultimate Destination
 (customer distribution center, headquarters, dealership, manufacturer's representative)

* Business/Agency Name:

* Address:

* Contact Person Name:

* Contact Phone:

b) Ultimate Destination: Final delivery point(s); deployment/distribution

* Business/Agency Name:

* Address:

* Contact Person Name:

* Contact Phone:

c) Intended Use of Radios: Law enforcement, security, operations, etc.

KWD-AE30 AES FIPS140-2 SCM , NIST Validation & Customer Shipping

A secure delivery method direct to the end user customer is required by the NIST AES FIPS 140-2 validation rules. For U.S. Federal Government entities the SCM must ship from Kenwood USA Corporation directly to the end user customer by a trusted carrier (FEDEX, UPS or a designated Kenwood USA Corporation employee); shipping/handling by a dealer or other entity is not acceptable. This may or may not be required by local/state government agencies or business/industrial users. Please check with the end use customer about their AES encryption handling requirements before ordering. Kenwood will not be responsible for shipments of KWD-AE30K modules to erroneous destinations specified on an order.

NEXEDGE™



NX-5400

Table of Contents

700/800MHz Digital & FM Analog Portable Radio



<Standard Key Model > <Full Key Model >

All NX-5400 series portables include:

- Belt Clip (KBH-11)
- Universal Connector Cap
- User Guide
- Premium Warranty: 3 Years*

* All Accessories / options: 1 Year

Purchase Battery, Charger, Antenna separately

* **Note:** To maintain immersion specs (IP67/68), all warranty service must be done by one of the three National Kenwood Authorized Service Centers. IP67/68 Certification is valid under the 3 year premium warranty. No re-certification is available.

Because of spurious signal (birdie), the following frequencies (and ±10kHz ranges) are not allowed;

- 864.000

STANDARD

■ GENERAL FEATURES

- 3 W (700/800 MHz) Models
- 1024 CH-GID / 128 Zones
- Standard Key Models (w/o numeric keypad)
- Full Key Models (w/ numeric keypad)
- Full Color 1.74" (240 x 180 pixels) Transflective TFT Display
- Multi-line Text Display
- Function/Status Icons
- Multi-Language Display**
- Date & 12/24 Hour Time Clock
- Transmit/Busy/Call Alert/Warn LED
- On/Off Volume Knob
- 16-Position Mechanical Selector (w/ a stopper)
- 4-way Directional-pad (D-pad)
- 2 Position Lever Switch
- Emergency/AUX Key
- 3 Side PF Keys
- 1W Speaker Audio
- Emergency Call Features
- Built-in GPS Receiver / Antenna
- Built-in Bluetooth® Module for hands-free operation
- Built-in Motion Sensor
- Built-in 56-bit DES Encryption **
- Active Noise Reduction (ANR)
- KPG-D1N Windows® FPU
- Flash Firmware Upgrading
- MIL-STD-810 C/D/E/F/G
- IP67/68 Immersion

■ ANALOG MODE

- NPSPAC Channels
- Conventional Zones
- LTR® Zones **
- FleetSync®/II**: PTT ID ANI, Caller ID Display, Selective/Group Call, Emergency Status, Text Messages
- MDC-1200**: PTT ID ANI, Caller ID Display, Emergency, Radio Check & Inhibit
- QT / DQT (Conventional Zones Only)
- Voice Inversion Scrambler

** Future Availability

[Available in 2Q 2015]

■ DIGITAL – NXDN® MODE**

- NXDN® Conventional
- NXDN® TYPE-C Trunking (only in 800MHz)
- AMBE+2™ VOCODER
- 6.25 & 12.5 kHz Channels
- Over-the-Air Alias
- Over-the-Air Programming (require KPG-180AP OTAP Manager Software)
- Paging Call
- Emergency Call
- All Group Call
- Status Messaging
- Remote Stun/Kill/Check
- Short & Long Data Messages
- GPS Location

OPTIONAL

■ GENERAL FEATURES

- 4000 CH-GID / 128 Zones (KWD-5000CH License Key Activation required)
- Front Panel Programming (KWD-5001FP License Key Activation required)
- microSD/microSDHC Memory Card Slot (KWD-5002SD License Key Activation required)
- Built-in Bluetooth® Module for Data (KWD-5003BT** License Key Activation required)
- 256-bit AES Encryption (KWD-AE30K/31K Encryption Module required)
- Battery Management Solution (KSC-Y32K Charger & KAS-12K Software License Key required)

■ DIGITAL – P25 MODE

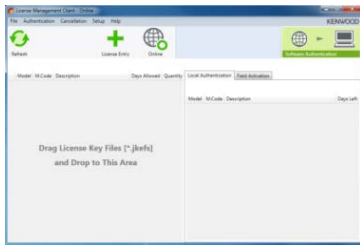
- Conventional Features (KWD-5100CV License Key Activation required)
- Phase 1 Trunking Features (KWD-5100CV & 5101TR License Keys Activation required)
- Phase 2 Trunking Features (KWD-5100CV & 5101TR & 5102TR License Keys Activation required)
- Conventional OTAR (KWD-5103RK License Key Activation required)
- Trunking OTAR (KWD-5103RK & 5106DT License Keys Activation required)
- Conventional Voting Scan (KWD-5105VT** License Key Activation required)
- Packet Data required for Trunked OTAR/GPS/Text (KWD-5106DT License Keys Activation required)

** Future Availability

| RADIO | | LIST |
|-----------|--|-----------|
| NX-5400K2 | 700 / 800 MHz, 3.0 Watts Analog Standard Key Model | \$ 825.00 |
| NX-5400K3 | 700 / 800 MHz, 3.0 Watts Analog Full Key Model | \$ 875.00 |

LICENSING SYSTEM

LIST



Note: KPT-300LMC is compatible with Windows Vista/7/8/8.1 Only. Windows XP is not supported.



KPT-300LMC License Management Client

KPT-300LMC is a **required** software package that is used to authenticate **software (FPU) and radio feature license** keys for the NX-5000 Series radios.

KPT-300LMC is available as a free download from Kenwood Tools and is also supplied with applicable software, such as KPG-D1NK, KAS-12, and KPG-AE1/DE1.

NOTE: A license key is required for the KPT-300LMC to authenticate the software prior to use. To receive a license key, complete the enclosed "**Account Request Form**" and return to the Land Mobile Order Desk.

License Keys will be E-Mailed to the address provided on the Account Request Form. A hard copy will follow by mail for your records.

| | | |
|------------|---------------------------|----|
| KPT-300LMC | License Management Client | NC |
| L-5000 | KPT-300LMC License Key | NC |

SOFTWARE LICENSE OPTIONS

TO PLACE AN ORDER FOR SOFTWARE (FPU):

1. Complete the attached KPG-D1NK Software License Key Request Form.
2. Submit along with your PO to the Land Mobile Order Desk via:
 - a) E-Mail: lmrorderdesk@us.jvckenwood.com
 - b) Fax: (310) 761-8246
3. License Keys will be E-mailed to the address provided on the order form. A hard copy will follow by mail for your records.

* A unique license key is required for each PC with KPG-D1NK installed. A single license key will not authorize multiple PCs.

| | | |
|----------|--|-----------|
| KPG-D1NK | License Key for KPG-D1NK Programming Software for NX-5000 Portable/Mobile (Windows® Vista/7/8/8.1) Note: Requires KPT-300LMC for authentication | \$ 155.00 |
|----------|--|-----------|

P25 Trunked Programming Capability (licensed by either 1 or 2 below):

1. KPG-D1NK with System Key File (*.SKF)- See L-5005
 - For NX-5000 series radios.
 - 3-digit HEX System ID (HSID) and verifiable written authorization required from trunked system operator (SYSOP).
 - Purchase KPG-D1NK & L-5005 System Key File
 - Kenwood ships an encrypted *.SKF file on CD ROM
 - The *.SKF securely embeds/encrypts the 16-digit Network Level License ID & the HSID.
2. KPG-D1NK with Advanced System Keys (ASK's)
 - For NX-5000 series radios.
 - SYSOPs: Refer to KWD-ASK-MK Master Key
 - Dealers/contractors: Refer to KWD-ASK-AK Access Key
 - KPG-D1NK supports up to 16 KWD-ASK-AK Access Keys (16 trunked networks).

| | | |
|---------|--|----------|
| KAS-12K | License Key for KAS-12 Battery Reader Software for KNBL1/2/3/ & KSC-Y32 (Windows® Vista/7/8/8.1) Note: Requires KPT-300LMC for authentication | \$ 85.00 |
|---------|--|----------|

Software License Key Discount Structure

| | |
|---------------------|----------------|
| 1 License Key | --- |
| 2-4 License Keys | 10% OFF |
| 5 - 14 License Keys | 35% OFF |
| 15-24 License Keys | 40% OFF |
| 25+ License Keys | 45% OFF |

RADIO FEATURE LICENSE OPTIONS (ACCOUNT REGISTRATION)

PCs registered under the same KPT-300LMC Account Registration Key (License Key) will be able to authentic Radio Features that can then be viewed / shared / managed by all registered users for the account.

*** TO PLACE AN ORDER FOR RADIO FEATURE LICENSES:**

1. Complete the attached Radio Feature Request Form.
2. Submit the completed form along with your PO to the Land Mobile Order Desk via:
 - a) E-Mail: lmrorderdesk@us.jvckenwood.com
 - b) Fax: (310) 761-8246
3. License Keys will be E-mailed to the address provided on the request form. A hard copy will follow by mail for your records.

Note: Radio Feature License Keys are not transferable from a radio to a radio. Once a Radio Feature License has been authenticated in one radio, it can not be transferred to another radio.

GENERAL RADIO FEATURES

LIST

| | | |
|------------|--|-----------|
| KWD-5000CH | License Key for 4000 CH/GID Expansion | \$ 420.00 |
| KWD-5001FP | License Key for Front Panel Programming | \$ 300.00 |
| KWD-5002SD | License Key for microSD Memory Card Slot Activation | \$ 105.00 |
| KWD-5003BT | License Key for Bluetooth Serial Port Profile [Available 2015 2Q] | \$ 35.00 |

P25 RADIO FEATURES

LIST

| | | |
|------------|---|-----------|
| KWD-5100CV | License Key for P25 Conventional | \$ 575.00 |
| KWD-5101TR | License Key for P25 Phase 1 Trunking (requires KWD-5100CV) | \$ 520.00 |
| KWD-5102TR | License Key for P25 Phase 2 Trunking (requires KWD-5100CV & KWD-5101TR) | \$ 400.00 |
| KWD-5103RK | License Key for P25 OTAR (requires KWD-5106DT for a Trunking Operation) | \$ 700.00 |
| KWD-5105VT | License Key for P25 Conventional Voting Scan [Available 2015 2Q] | \$ 120.00 |
| KWD-5106DT | License Key for P25 Packet Data (requires for Trunked OTAR/GPS/Text) | \$ 180.00 |

ANTENNAS

LIST

| | | |
|---------|----------------------------|----------|
| KRA-32K | 700/800 MHz Whip Antenna | \$ 35.00 |
| KRA-36 | 700/800 MHz Stubby Antenna | \$ 25.00 |

BATTERIES AND CHARGERS

LIST

| | | |
|----------|--|-----------|
| KNB-L1M | Li-ion 2000mAh (Compact Slim) | \$ 115.00 |
| KNB-L2M | Li-ion 2600mAh (Standard) | \$ 135.00 |
| KNB-L3M | Li-ion 3400mAh (High Capacity) | \$ 175.00 |
| KSC-Y32K | Rapid rate single unit charger (Long-Life Charge Mode capable with KAS-12 Software) Note: NiMH/Li-ion battery only | \$ 115.00 |
| KAS-12K | License Key for KAS-12 (Authentication required) Battery Reader Software for KNBL1/2/3/ & KSC-Y32 (Windows® Vista/7/8/8.1) | \$ 85.00 |
| KSC-32 | Rapid rate single unit charger | \$ 70.00 |
| KSC-326K | Rapid rate 6-unit charger | \$ 630.00 |
| KMB-30M | Wall Mount Bracket for KSC-326K/256K | \$ 33.75 |
| KVC-15 | Rapid rate DC vehicular charger adapter for the KSC-32 (chargers not included; includes KSC-mobile bracket & cigarette lighter cable DC adapter) | \$ 119.00 |

CARRYING ACCESSORIES

LIST

| | | |
|-----------|--|----------|
| KBH-11 | Spring action belt clip (2.5") | \$ 14.70 |
| KBH-8DS | Leather swivel belt loop with portable D-Ring attachment | \$ 26.30 |
| KLH-6SW | Leather swivel belt loop / detachable swivel D-Ring back | \$ 22.00 |
| KLH-137ST | Firemen's Heavy-Duty Leather Shoulder Strap for a Heavy-Duty Leather Case | \$ 36.75 |
| KLH-200K3 | Heavy duty leather carrying case for NX-5000-series (for both keypad models) | \$ 44.25 |
| KLH-201K3 | Nylon carrying case for NX-5000-series (for both keypad models) | \$ 26.30 |

MICROPHONES & AUDIO ACCESSORIES **LIST**

| | | |
|-----------|--|-----------|
| KMC-54WDM | MIL-SPEC, IP67 (Immersion) Speaker Mic Compatible with ANR Feature Note: only compatible with a NX-5000 series portable | \$ - |
| KMC-42WDM | MIL-SPEC, IP67 (Immersion) Noise-canceling Speaker Mic | \$ 114.00 |
| KMC-49 | MIL-SPEC, Speaker Mic. with Antenna Connector Note: 5/16" Coax cable hex wrench included (antenna is not included). | \$ 250.00 |
| KEP-1 | 3.5mm earphone kit for KMC-41/42W/54W Speaker Mics | \$ 52.50 |
| KEP-2 | 2.5mm earphone kit for KMC-49 Speaker Mic | \$ 52.50 |
| KEP-3 | 30" Earphone kit w/ 2.5mm plug for KCT-30 | \$ 51.50 |
| KEP-4 | 48" Earphone kit w/ 2.5mm plug for KCT-30 | \$ 54.75 |
| KCT-30 | 2.5mm Audio Accessory Adapter for KEP-3/4 | \$ 64.00 |
| KCT-51 | Hirose 6-pin Adapter (adapts KVL/aftermarket audio acc. to portable connector) | \$ 215.00 |
| KHS-11BL | 2-wire palm mic w/earphone, universal connector (Black) | \$ 156.50 |
| KHS-12BL | 3-wire mini lapel mic w/earphone, universal connector (Black) | \$ 184.00 |
| KHS-14 | Lt. Wt. Single muff headset w/boom mic & In-line PTT | \$ 126.00 |
| KHS-15-BH | Hvy-duty noise reduction behind-the-headset w/noise cancelling boom mic & PTT | \$ 420.00 |
| KHS-15-OH | Hvy-duty noise reduction over-the-headset w/noise cancelling boom mic & PTT | \$ 368.00 |

ENCRYPTION MODULES **LIST**

| | | |
|-----------|---|-----------|
| KWD-AE30K | AES FIPS140-2 & DES Encryption Module (Multi-Key) Order a Labor Code L-5003 if installation is required. KWD-AE30K requires: a Motorola KVL3000 Plus/4000 key loader device. KWD-AE30K is an U.S. DOC/BIS Export Controlled Item (ECCN 5A002A.1) | \$ 850.00 |
| KWD-AE31K | AES & DES Encryption Module (Multi-Key) Order a Labor Code L-5004 if installation is required. Note: Requires KPG-AE1/DE1 software key loader or Motorola KVL3000 Plus/4000 key loader device. KWD-AE31K is an U.S. DOC/BIS Export Controlled Item (ECCN 5A002A.1) | \$ 550.00 |
| KPG-AE1K | AES/DES Encryption Software Key Loader for KWD-AE31K Authentication by KPT-300LMC is required Note: KPG-AE1 is a U.S. DOC/BIS Export Controlled Item (ECCN 5D002A) | \$ 525.00 |
| KPG-DE1K | DES Encryption Software Key Loader for KWD-AE31K Authentication by KPT-300LMC is required Note: KPG-DE1 is a U.S. DOC/BIS Export Controlled Item (ECCN 5D992A.1) | \$ 368.00 |

SERVICE RELATED ACCESSORIES **LIST**

| | | |
|------------|---|------------|
| KPG-36UM | USB Programming interface cable | \$ 158.50 |
| KPG-93 | KVL-3000 Plus/4000 Interface Cable for P25 Portables | \$ 262.50 |
| KPG-93AUT | KVL-4000 Radio Authentication Cable [Available in 2015 2Q] | TBD |
| KWD-ASK-AK | Access Key for KPG-D1NK P25 trunked programming Notes: • For NX-5000 series only • Must be activated by a SYSOP with KWD-ASK-MK Master Key • Must have KPG-D1NK • Battery Life: 3 years (non-serviceable; key must be replaced) | \$ 208.00 |
| KWD-ASK-MK | Master Key for activating KWD-ASK-AK Access Keys - Restricted Purchase Requirements - Notes: • For NX-5000 series only. • Sold to SYSOP or SYSOP authorized entities only • Must have KPG-D1NK • SYSOP must provide 3-digit HEX HSID & the 16-digit Network Level License ID to Kenwood. • Purchase KWD-ASK-AK Access Keys if needed. • Battery Life: 3 years (non-serviceable; key must be replaced) | \$ 500.00 |

| INSTALLATION / TUNING CHARGES | | LIST |
|--------------------------------------|---|-------------|
| L-5002 | NX-5200/5300/5400 Programming (with basic TX/RX check) | \$ 37.50 |
| L-5003 | Install KWD-AE30K in NX-5000 series Portable (Must purchase module separately) | \$ 75.00 |
| L-5004 | Install KWD-AE31K in NX-5000 series Portable (Must purchase module separately) | \$ 75.00 |
| L-5005 | KPG-D1NK System Key File Note: Enables P25 Trunked system programming privileges in a KPG-D1NK. - Restricted Purchase Requirements - • 3-Digit HEX System ID (HSID) from SYSOP required • Must Purchase KPG-D1NK with L-5005 • Kenwood ships an encrypted *.SKF file on CD ROM • Non-SYSOP entities ordering L-5005 must provide verifiable written authorization from SYSOP to receive an *.SKF file. • The 16-digit Network Level License ID & 3-digit HEX HSID are securely encrypted & embedded in the *.SKF file. | \$ 132.00 |

-- IMPORTANT NOTES regarding ENCRYPTION MODULES--

Encryption modules, key loaders and radios containing encryption are export controlled by the U.S. Department of Commerce Bureau of Industry & Security EAR regulations and may either require an Export License, are eligible for a License Exception (ENC) or are exportable with No License Required (NLR) depending on the country, the consignee and the intended use. High level encryption is a special commodity that may require an export license to most countries. See www.bis.gov for more information regarding export regulations. DO NOT SHIP encryption items outside the U.S. without proper DOC/BIS Export Licenses and/or compliances.

Kenwood may request the following information to be submitted at time of order (this information must meet Kenwood internal approvals prior to shipment even if being returned to Kenwood later:

a) Initial Destination: Initial delivery point if different from Ultimate Destination
(customer distribution center, headquarters, dealership, manufacturer's representative)

* Business/Agency Name:

* Address:

* Contact Person Name:

* Contact Phone:

b) Ultimate Destination: Final delivery point(s); deployment/distribution

* Business/Agency Name:

* Address:

* Contact Person Name:

* Contact Phone:

c) Intended Use of Radios: Law enforcement, security, operations, etc.

KWD-AE30 AES FIPS140-2 SCM , NIST Validation & Customer Shipping

A secure delivery method direct to the end user customer is required by the NIST AES FIPS 140-2 validation rules. For U.S. Federal Government entities the SCM must ship from Kenwood USA Corporation directly to the end user customer by a trusted carrier (FEDEX, UPS or a designated Kenwood USA Corporation employee); shipping/handling by a dealer or other entity is not acceptable. This may or may not be required by local/state government agencies or business/industrial users. Please check with the end use customer about their AES encryption handling requirements before ordering. Kenwood will not be responsible for shipments of KWD-AE30K modules to erroneous destinations specified on an order.

NEXEDGE™
P25

NX-5700/5800
VHF/UHF Digital & FM Analog Mobile Radios

Table of Contents



All NX-5000 series Mobiles include:

- Standard Microphone (KMC-35)
- Mounting Bracket (KMB-33M)
- DC Cable (KCT-23M)
- Blade Fuse
- User Guide
- Premium Warranty: 3 Years*

* All Accessories / options: 1 Year

STANDARD

GENERAL FEATURES

- 50 W (136-174 MHz) Models
- 45 W (380-470, 450-520 MHz) Models
- 1024 CH-GID / 128 Zones
- Full Color 2.55" (154 x 422 pixels) TFT Display
- Multi-line Text Display
- Function/Status Icons
- Multi-Language Display**
- Date & 12/24 Hour Time Clock
- Transmit/Busy/Call Alert/Warn LED
- Emergency/AUX Key
- 4W Speaker Audio
- DB-25 Accessory Connector
- Emergency Call Features
- Built-in GPS Receiver
- Built-in Bluetooth® Module for hands-free operation
- Built-in 56-bit DES Encryption **
- Active Noise Reduction (ANR)
- KPG-D1N Windows® FPU
- Flash Firmware Upgrading
- MIL-STD-810 C/D/E/F/G
- IP54/55

DIGITAL – NXDN® MODE

- NXDN® Conventional / TYPE-C Trunking
- AMBE+2™ VOCODER
- 6.25 & 12.5 kHz Channels
- Over-the-Air Alias
- Over-the-Air Programming (require KPG-180AP OTAP Manager Software **)
- Paging Call **
- Emergency Call
- All Group Call
- Status Messaging
- Remote Stun/Kill/Check
- Short & Long Data Messages
- GPS Location
- NXDN® Scrambler

ANALOG MODE

- Conventional Zones
- LTR® Zones **
- FleetSync®/II**: PTT ID ANI, Caller ID Display, Selective/Group Call, Emergency Status, Text Messages
- MDC-1200**: PTT ID ANI, Caller ID Display, Emergency, Radio Check & Inhibit
- QT / DQT
- Two-Tone** (Conventional Zones Only)
- DTMF**
- Built-in Voice Inversion Scrambler

OPTIONAL

GENERAL FEATURES

- 4000 CH-GID / 128 Zones (KWD-5000CH License Key Activation required)
- Front Panel Programming (KWD-5001FP License Key Activation required)
- microSD/microSDHC Memory Card Slot (KWD-5002SD License Key Activation required)
- Built-in Bluetooth® Module for Data (KWD-5003BT** License Key Activation required)
- 256-bit AES Encryption (KWD-AE30K/31K Encryption Module required)

DIGITAL – P25 MODE

- Conventional Features (KWD-5100CV License Key Activation required)
- Phase 1 Trunking Features (KWD-5100CV & 5101TR License Keys Activation required)
- Phase 2 Trunking Features (KWD-5100CV & 5101TR & 5102TR License Keys Activation required)
- Conventional OTAR (KWD-5103RK License Key Activation required)
- Trunking OTAR (KWD-5103RK & 5106DT License Keys Activation required)
- Conventional Voting Scan (KWD-5105VT** License Key Activation required)
- Packet Data required for Trunked OTAR/GPS/Text (KWD-5106DT License Keys Activation required)

[Available in 2Q 2015]

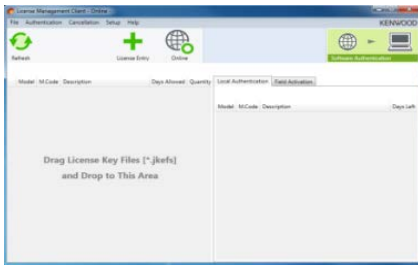
MOUNTING CONFIGURATIONS / REMOTE PANEL **

- KCH-20R Featured Control Head
- Single Remote Control Head (KRK Kit & KCT-71 Cable required)
- Dual Remote Control Heads (KCH-19/20R & KRK Kit &

| RADIO | | LIST |
|-----------|--|-----------|
| NX-5700K | VHF (136-174MHz), 50 Watts NXDN Conventional / TYPE-C Trunking | \$ 980.00 |
| NX-5800K | UHF (450-520MHz), 45 Watts NXDN Conventional / TYPE-C Trunking | \$ 980.00 |
| NX-5800K2 | UHF (380-470MHz), 45 Watts NXDN Conventional / TYPE-C Trunking | \$ 980.00 |

LICENSING SYSTEM

LIST



Note: KPT-300LMC is compatible with Windows Vista/7/8/8.1 Only. Windows XP is not supported.

 **KPT-300LMC License Management Client**

KPT-300LMC is a required software package that is used to authenticate **software** (FPU) and **radio feature license** keys for the NX-5000 Series radios.

KPT-300LMC is available as a free download from Kenwood Tools and is also supplied with applicable software, such as KPG-D1NK, KAS-12, and KPG-AE1/DE1.

NOTE: A license key is required for the KPT-300LMC to authenticate the software prior to use. To receive a license key, complete the enclosed "**Account Request Form**" and return to the Land Mobile Order Desk.

License Keys will be E-Mailed to the address provided on the Account Request Form. A hard copy will follow by mail for your records.

| | | |
|------------|---------------------------|----|
| KPT-300LMC | License Management Client | NC |
| L-5000 | KPT-300LMC License Key | NC |

SOFTWARE LICENSE OPTIONS

TO PLACE AN ORDER FOR SOFTWARE (FPU):

1. Complete the attached KPG-D1NK Software License Key Request Form.
2. Submit along with your PO to the Land Mobile Order Desk via:
 - a) E-Mail: lmrorderdesk@us.jvckenwood.com
 - b) Fax: (310) 761-8246
3. License Keys will be E-mailed to the address provided on the order form. A hard copy will follow by mail for your records.

* A unique license key is required for each PC with KPG-D1NK installed. A single license key will not authorize multiple PCs.

| | | |
|----------|---|-----------|
| KPG-D1NK | License Key for KPG-D1NK Programming Software for NX-5000 Portable/Mobile (Windows® Vista/7/8/8.1) | \$ 155.00 |
|----------|---|-----------|

P25 Trunked Programming Capability (licensed by either 1 or 2 below):

1. KPG-D1NK with System Key File (*.SKF)- See L-5005
 - For NX-5000 series radios.
 - 3-digit HEX System ID (HSID) and verifiable written authorization required from trunked system operator (SYSOP).
 - Purchase KPG-D1NK & L-5005 System Key File
 - Kenwood ships an encrypted *.SKF file on CD ROM
 - The *.SKF securely embeds/encrypts the 16-digit Network Level License ID & the HSID.
2. KPG-D1NK with Advanced System Keys (ASK's)
 - For NX-5000 series radios.
 - SYSOPs: Refer to KWD-ASK-MK Master Key
 - Dealers/contractors: Refer to KWD-ASK-AK Access Key
 - KPG-D1NK supports up to 16 KWD-ASK-AK Access Keys (16 trunked networks).

Software License Key Discount Structure

| | |
|---------------------|---------|
| 1 License Key | --- |
| 2-4 License Keys | 10% OFF |
| 5 - 14 License Keys | 35% OFF |
| 15-24 License Keys | 40% OFF |
| 25+ License Keys | 45% OFF |

RADIO FEATURE LICENSE OPTIONS

PCs registered under the same KPT-300LMC Account Registration Key (License Key) will be able to authentic Radio Features that can then be viewed / shared / managed by all registered users for the account.

*** TO PLACE AN ORDER FOR RADIO FEATURE LICENSES:**

1. Complete the attached Radio Feature Request Form.
2. Submit the completed form along with your PO to the Land Mobile Order Desk via:
 - a) E-Mail: lmrorderdesk@us.jvckenwood.com
 - b) Fax: (310) 761-8246
3. License Keys will be E-mailed to the address provided on the request form. A hard copy will follow by mail for your records.

Note: Radio Feature License Keys are not transferable from a radio to a radio. Once a Radio Feature License has been authenticated in one radio, it can not be transferred to another radio.

GENERAL RADIO FEATURES

LIST

| | | |
|------------|---|-----------|
| KWD-5000CH | License Key for 4000 CH/GID Expansion | \$ 420.00 |
| KWD-5001FP | License Key for Front Panel Programming | \$ 300.00 |
| KWD-5002SD | License Key for microSD Memory Card Slot Activation | \$ 105.00 |
| KWD-5003BT | License Key for Bluetooth Serial Port Profile [Available 2015 2Q] | \$ 35.00 |
| KWD-5004MR | License Key for Multiple RF Decks Receiver [Available 2015 2Q] | TBD |

P25 RADIO FEATURES

LIST

| | | |
|------------|---|-----------|
| KWD-5100CV | License Key for P25 Conventional | \$ 575.00 |
| KWD-5101TR | License Key for P25 Phase 1 Trunking (requires KWD-5100CV) | \$ 520.00 |
| KWD-5102TR | License Key for P25 Phase 2 Trunking (requires KWD-5100CV & KWD-5101TR) | \$ 400.00 |
| KWD-5103RK | License Key for P25 OTAR (requires KWD-5106DT for a Trunking Operation) | \$ 700.00 |
| KWD-5105VT | License Key for P25 Conventional Voting Scan [Available 2015 2Q] | \$ 120.00 |
| KWD-5106DT | License Key for P25 Packet Data (requires for Trunked OTAR/GPS/Text) | \$ 180.00 |

MOBILE INSTALLATION ACCESSORIES

LIST

| | | |
|----------|---|--------|
| KAP-2 | Horn Alert/P.A. Relay Option | 63.00 |
| KCT-23M | DC Cable (35-50W Dash mount; pos/neg. 10 ft. leads) | 31.50 |
| KCT-23M3 | DC Cable (35-50W Remote mount; pos.23 ft.; neg. 3.3. ft. leads) | 34.75 |
| KCT-46 | Ignition sense cable (plugs directly into mobile chassis ignition sense line) | 13.70 |
| KLF-2 | Line Filter (suppresses alternator whine, 25dB, 25A max). | 42.00 |
| KMB-10 | Key lock adapter | 26.30 |
| KMB-33M | Standard Mounting Bracket (same as supplied) | 14.00 |
| KPS-15 | DC Switching Power Supply (117/230 VAC; 23A max. continuous, 25A peak) | 173.00 |
| KRA-40GM | GPS Antenna | 42.00 |

MICROPHONES AND SPEAKERS

LIST

| | | |
|--------|---|-------|
| KMC-35 | MIL-SPEC Standard electret mobile microphone (8-pin mod. plug) - same as supplied | 52.50 |
| KMC-36 | MIL-SPEC Standard electret mobile microphone with 12 keypad (8-pin mod. plug) | 94.50 |
| KMC-9C | Control Station Desktop Microphone (8-pin mod. plug) Note: NOT compatible in a TDMA operation | 86.00 |
| KES-3 | External speaker (compact low profile; black case; 3.5 mm phono plug-in) | 44.25 |
| KES-5 | External speaker, 40W max input Note: requires KAP-2 (PA/HA unit) installed | 61.25 |

| ENCRYPTION MODULES | | LIST |
|------------------------------------|--|-------------|
| KWD-AE30K | AES FIPS140-2 & DES Encryption Module (Multi-Key) Order a Labor Code L-5007 if installation is required. KWD-AE30K requires: a Motorola KVL3000 Plus/4000 key loader device. KWD-AE30K is an U.S. DOC/BIS Export Controlled Item (ECCN 5A002A.1) | \$ 850.00 |
| KWD-AE31K | AES & DES Encryption Module (Multi-Key) Order a Labor Code L-5008 if installation is required. Note: Requires KPG-AE1/DE1 software key loader or Motorola KVL3000 Plus/4000 key loader device. KWD-AE31K is an U.S. DOC/BIS Export Controlled Item (ECCN 5A002A.1) | \$ 550.00 |
| KPG-AE1K | AES/DES Encryption Software Key Loader for KWD-AE31K Authentication by KPT-300LMC is required Note: KPG-AE1 is a U.S. DOC/BIS Export Controlled Item (ECCN 5D002A) | \$ 525.00 |
| KPG-DE1K | DES Encryption Software Key Loader for KWD-AE31K Authentication by KPT-300LMC is required Note: KPG-DE1 is a U.S. DOC/BIS Export Controlled Item (ECCN 5D992A.1) | \$ 368.00 |
| SERVICE RELATED ACCESSORIES | | LIST |
| KPG-46UM | USB Programming interface cable | \$ 158.50 |
| KPG-115 | Key Loader Interface Cable for Motorola KVL-3000/3000 Plus | \$ 262.50 |
| KPG-115AUT | KVL-4000 Radio Authentication Cable [Available in 2015 1Q] | TBD |
| KWD-ASK-AK | Access Key for KPG-D1NK P25 trunked programming Notes: <ul style="list-style-type: none"> • For NX-5000 series only • Must be activated by a SYSOP with KWD-ASK-MK Master Key • Must have KPG-D1NK • Battery Life: 3 years (non-serviceable; key must be replaced) | \$ 208.00 |
| KWD-ASK-MK | Master Key for activating KWD-ASK-AK Access Keys - Restricted Purchase Requirements - Notes: <ul style="list-style-type: none"> • For NX-5000 series only. • Sold to SYSOP or SYSOP authorized entities only • Must have KPG-D1NK • SYSOP must provide 3-digit HEX HSID & the 16-digit Network Level License ID to Kenwood. • Purchase KWD-ASK-AK Access Keys if needed. • Battery Life: 3 years (non-serviceable; key must be replaced) | \$ 500.00 |

INSTALLATION / TUNING CHARGES **LIST**

| | | |
|--------|---|-----------|
| L-5006 | NX-5700/5800 Programming (with basic TX/RX check) | \$ 37.50 |
| L-5007 | Install KWD-AE30K in NX-5000 series Mobile (Must purchase module separately) | \$ 75.00 |
| L-5008 | Install KWD-AE31K in NX-5000 series Mobile (Must purchase module separately) | \$ 75.00 |
| L-5005 | KPG-D1NK System Key File Note: Enables P25 Trunked system programming privileges in a KPG-D1NK. - Restricted Purchase Requirements - <ul style="list-style-type: none"> • 3-Digit HEX System ID (HSID) from SYSOP required • Must Purchase KPG-D1NK with L-5005 • Kenwood ships an encrypted *.SKF file on CD ROM • Non-SYSOP entities ordering L-5005 must provide verifiable written authorization from SYSOP to receive an *.SKF file. • The 16-digit Network Level License ID & 3-digit HEX HSID are securely encrypted & embedded in the *.SKF file. | \$ 132.00 |
| L-5015 | Install KAP-2 (Default) HR1/Internal Sp./PA | \$ 25.00 |
| L-5016 | Assemble NX-5000 Mobile for Single Remote Head Control | \$ 42.00 |

-- IMPORTANT NOTES regarding ENCRYPTION MODULES--

Encryption modules, key loaders and radios containing encryption are export controlled by the U.S. Department of Commerce Bureau of Industry & Security EAR regulations and may either require an Export License, are eligible for a License Exception (ENC) or are exportable with No License Required (NLR) depending on the country, the consignee and the intended use. High level encryption is a special commodity that may require an export license to most countries. See www.bis.gov for more information regarding export regulations. **DO NOT SHIP encryption items outside the U.S. without proper DOC/BIS Export Licenses and/or compliances.**

Kenwood may request the following information to be submitted at time of order (this information must meet Kenwood internal approvals prior to shipment even if being returned to Kenwood later:

a) Initial Destination: Initial delivery point if different from Ultimate Destination
 (customer distribution center, headquarters, dealership, manufacturer's representative)

* Business/Agency Name:

* Address:

* Contact Person Name:

* Contact Phone:

b) Ultimate Destination: Final delivery point(s); deployment/distribution

* Business/Agency Name:

* Address:

* Contact Person Name:

* Contact Phone:

c) Intended Use of Radios: Law enforcement, security, operations, etc.

KWD-AE30 AES FIPS140-2 SCM , NIST Validation & Customer Shipping

A secure delivery method direct to the end user customer is required by the NIST AES FIPS 140-2 validation rules. For U.S. Federal Government entities the SCM must ship from Kenwood USA Corporation directly to the end user customer by a trusted carrier (FEDEX, UPS or a designated Kenwood USA Corporation employee); shipping/handling by a dealer or other entity is not acceptable. This may or may not be required by local/state government agencies or business/industrial users. Please check with the end use customer about their AES encryption handling requirements before ordering. Kenwood will not be responsible for shipments of KWD-AE30K modules to erroneous destinations specified on an order.

[Table of Contents](#)

NX-200/300

NEXEDGE® VHF/UHF Digital & FM Analog Portable Radios



All NX series portables include:

- Belt Clip (KBH-11)
- Universal Connector Cap
- Instruction Manual
- Premium Warranty: 3 Years*

* All Accessories / options: 1 Year

Purchase Battery, Charger, Antenna separately

** Limited Availability for I.S. & Contract requirements only.*

* Approved by CSA International Inc. for Classes I, II & III, Div. 1, Groups C, D, E, F, G and are also approved for non-Incendive use in Class I, Div. 2, Groups A, B, C, D hazardous locations.
Note: Class I, Div 2 Group A & B Gases require use of a portable carrying case.

GENERAL FEATURES

- 5 W (136-174 MHz) Models
- 5 W (400-470, 450-520* MHz) Models
- 512 CH-GID / 128 Zones
- 64 CH-GID / 4 Zones (S Version)
- 12-Key Keypad Models
- 14 Character Alphanumeric Aliases
- Backlit Dot Matrix LCD
- Function/Status LCD Icons
- Multi-Language Display
- Date & 12/24 Hour Time Clock
- Transmit/Busy/Call Alert/Warn LED
- On/Off Volume Knob
- 16-Position Mechanical Selector
- 6 Front PF & Menu Keys
- 2 Side PF Keys
- 500 mW Speaker Audio
- Emergency Call Features
- KMC-47GPS Speaker Mic Option
- KMC-51/52 Digital Noise-Canceling Speaker Mic Option
- KPG-111D Windows® FPU
- Flash Firmware Upgrading
- MIL-STD-810 C/D/E/F/G
- IP54/55 Water & Dust Intrusion
- Immersion (IP67) Option
- PC Serial Interface
- SDM Manual Input1
- Transparent Data Mode
- Intrinsically Safe Option
- VGS-1 Voice Guide/ Voice & GPS Data Storage Option
- Color Housing Option

DIGITAL – GENERAL

- NXDN® Digital Air Interface
- AMBE+2™ VOCODER
- 6.25 & 12.5 kHz Channels
- Over-the-Air Alias
- Over-the-Air Programming
- Paging Call
- Emergency Call
- All Group Call
- Status Messaging
- Remote Stun/Kill/Check
- Short & Long Data Messages
- GPS Location with Voice
- NXDN® Scrambler Included
- DES Encryption Module Option
- AES & DES Encryption Module Option
- AES/DES Software Key Loader Option

DIGITAL – CONVENTIONAL MODE

- 64 Radio Access Numbers (RAN)
- Individual & Group Selective Call
- Mixed FM/Digital Operation
- Conventional IP Networks
- Site Roaming

DIGITAL – TRUNKING MODE

- Individual Private Call
- Group Call & Broadcast Call
- Telephone Interconnect
- Transmission Trunked Mode
- Message Trunked Mode
- Call Queuing with Priority
- Late Entry (UID & GID)
- 4 Priority Monitor ID's
- Remote Group Add
- Failsafe Mode

MULTI-SITE IP NETWORKS COMPATIBLE

- 60,000 GIDs / UIDs
- Wide Area Group Call
- Auto Roaming Registration
- Group Registration

MULTI-SYSTEM COMPATIBLE

- 8 Trunked Networks per radio (each in a zone)
- UID Lists for each network

SCAN

- Single Zone / Multi-Zone / List Scan
- Dual Priority Scan (Conventional)

ANALOG MODE – GENERAL

- 25 & 12.5 kHz Channels
- Conventional & LTR® Zones
- FleetSync®/II, MDC-1200, DTMF
- QT / DQT & Two-Tone (Conventional Zones Only)
- Voice Inversion Scrambler
- Analog Scrambler Board Capability

MPT ZONES (option)

- Single-Site Trunking
- Multi-Site Network Trunking
- 8 Network Capacity
- Network Roaming / Registration

FleetSync®/II (FM)

- PTT ID ANI / Caller ID
- Selective / Group Call
- Emergency Status / Text Messages

MDC-1200

- PTT ID ANI / Caller ID
- Emergency / Radio Check & Inhibit

| RADIO | | LIST |
|-----------|---|--------|
| NX-200K | 136-174MHz 5W, 14 characters Alphanumeric LCD, 6 Control Keys | 684.00 |
| NX-200K2 | 136-174MHz 5W, 14 characters Alphanumeric LCD, Full Keypad | 734.00 |
| NX-200SK | 136-174MHz 5W, Non-Display | 625.00 |
| NX-300K | 450-520MHz 5W, 14 characters Alphanumeric LCD, 6 Control Keys | 684.00 |
| NX-300K2 | 400-470MHz 5W, 14 characters Alphanumeric LCD, 6 Control Keys | 684.00 |
| NX-300K3 | 450-520MHz 5W, 14 characters Alphanumeric LCD, Full Keypad | 734.00 |
| NX-300K4 | 400-470MHz 5W, 14 characters Alphanumeric LCD, Full Keypad | 734.00 |
| NX-300SK2 | 400-470MHz 5W, Non-Display | 625.00 |

| RADIO - CONT'D | | LIST |
|--|--|-------------|
| IP67 (Immersion) Package Models | | |
| NX-200-WK | 136-174MHz 5W, 14 characters Alphanumeric LCD, 6 Control Keys [see note 1] | 867.00 |
| NX-200-WK2 | 136-174MHz 5W, 14 characters Alphanumeric LCD, Full Keypad [see note 1] | 917.00 |
| NX-300-WK | 450-520MHz 5W, 14 characters Alphanumeric LCD, 6 Control Keys [see note 1] | 867.00 |
| NX-300-WK2 | 400-470MHz 5W, 14 characters Alphanumeric LCD, 6 Control Keys [see note 1] | 867.00 |
| NX-300-WK3 | 450-520MHz 5W, 14 characters Alphanumeric LCD, Full Keypad [see note 1] | 917.00 |
| NX-300-WK4 | 400-470MHz 5W, 14 characters Alphanumeric LCD, Full Keypad [see note 1] | 917.00 |
| IP67 Custom Color Radio Housing | | |
| NX-200-WK-YH | NX-200-WK with Yellow Housing Option Installed [see note 1] | 934.00 |
| NX-200-WK-OH | NX-200-WK with Orange Housing Option Installed [see note 1] | 934.00 |
| NX-300-WK-YH | NX-300-WK with Yellow Housing Option Installed [see note 1] | 934.00 |
| NX-300-WK-OH | NX-300-WK with Orange Housing Option Installed [see note 1] | 934.00 |
| NX-300-WK2-YH | NX-300-WK2 with Yellow Housing Option Installed [see note 1] | 934.00 |
| NX-300-WK2-OH | NX-300-WK2 with Orange Housing Option Installed [see note 1] | 934.00 |

| FACTORY MUTUAL (FM) APPROVED MODELS | LIST |
|--|-------------|
|--|-------------|

Must Order L-1101 & an Intrinsically Safe Battery per radio

| | | |
|--|--|--------|
| NX-200-ISK | 136-174MHz 5W, 14 characters Alphanumeric LCD, 6 Control Keys | 684.00 |
| NX-200-ISK2 | 136-174MHz 5W, 14 characters Alphanumeric LCD, Full Keypad | 734.00 |
| NX-200-ISSK | 136-174MHz 5W, Non Display | 625.00 |
| NX-300-ISK | 450-520MHz 5W, 14 characters Alphanumeric LCD, 6 Control Keys | 684.00 |
| NX-300-ISK2 | 400-470MHz 5W, 14 characters Alphanumeric LCD, 6 Control Keys | 684.00 |
| NX-300-ISK3 | 450-520MHz 5W, 14 characters Alphanumeric LCD, Full Keypad | 734.00 |
| NX-300-ISK4 | 400-470MHz 5W, 14 characters Alphanumeric LCD, Full Keypad | 734.00 |
| NX-300-ISSK2 | 400-470MHz 5W, Non Display | 625.00 |
| IP67 (Immersion) Package Models | | |
| NX-200-ISWK | 136-174MHz 5W, 14 characters Alphanumeric LCD, 6 Control Keys [see note 1] | 867.00 |
| NX-200-ISWK2 | 136-174MHz 5W, 14 characters Alphanumeric LCD, Full Keypad [see note 1] | 917.00 |
| NX-300-ISWK | 450-520MHz 5W, 14 characters Alphanumeric LCD, 6 Control Keys [see note 1] | 867.00 |
| NX-300-ISWK2 | 400-470MHz 5W, 14 characters Alphanumeric LCD, 6 Control Keys [see note 1] | 867.00 |
| NX-300-ISWK3 | 450-520MHz 5W, 14 characters Alphanumeric LCD, Full Keypad [see note 1] | 917.00 |
| NX-300-ISWK4 | 400-470MHz 5W, 14 characters Alphanumeric LCD, Full Keypad [see note 1] | 917.00 |
| IP67 Custom Color Radio Housing | | |
| NX-200-ISWKYH | NX-200-WK with Yellow Housing Option Installed [see note 1] | 934.00 |
| NX-200-ISWKOH | NX-200-WK with Orange Housing Option Installed [see note 1] | 934.00 |
| NX-300-ISWKYH | NX-300-WK with Yellow Housing Option Installed [see note 1] | 934.00 |
| NX-300-ISWKOH | NX-300-WK with Orange Housing Option Installed [see note 1] | 934.00 |
| NX-300-ISWK2YH | NX-300-WK2 with Yellow Housing Option Installed [see note 1] | 934.00 |
| NX-300-ISWK2OH | NX-300-WK2 with Orange Housing Option Installed [see note 1] | 934.00 |

[note 1]: these models are stocked in minimum quantities. Please anticipate a minimum 45-90 day lead time and call order desk to verify availability. Service must be performed at one of the 3 Kenwood National Service Centers to maintain certification up to 3 years of Product's Limited Warranty period.

| ANTENNAS | LIST | |
|-----------------|--|-------|
| KRA-26M | VHF helical antenna 146-162 MHz | 14.00 |
| KRA-26M2 | VHF helical antenna 162-174 MHz | 14.00 |
| KRA-26M3 | VHF helical antenna 136-150 MHz | 14.00 |
| KRA-27M | UHF whip antenna 440-490 MHz | 14.00 |
| KRA-27M2 | UHF whip antenna 470-520 MHz | 14.00 |
| KRA-27M3 | UHF whip antenna 400-450 MHz | 14.00 |
| KRA-22M | VHF low-profile helical antenna 148-162 MHz | 13.70 |
| KRA-22M2 | VHF low-profile helical antenna 162-174 MHz | 13.70 |
| KRA-22M3 | VHF Low-profile helical antenna 136-150 MHz | 13.70 |
| KRA-23M | UHF low-profile helical antenna 450-490 MHz | 13.70 |
| KRA-23M2 | UHF low-profile helical antenna 470-512 MHz | 13.70 |
| KRA-23M3 | UHF low-profile helical antenna 403-430 MHz | 13.70 |
| KRA-25 | High gain VHF helically loaded whip antenna 148-162 MHz | 34.25 |
| KRA-28 | Broad-band VHF helically loaded whip antenna 140-170 MHz | 42.00 |

| BATTERIES AND CHARGERS | | LIST |
|-------------------------------|--|-------------|
| KNB-47L | 1950 mAh, Li-ion battery - requires KSC-32/326K charger [Immersion Option compatible] | 105.00 |
| KNB-48L | 2550 mAh, Li-ion battery - requires KSC-32/326K charger [Immersion Option compatible] | 122.50 |
| KNB-50NC | 2000 mAh, Ni-MH battery - requires KSC-32/326K charger [Intrinsically Safe Option] [Immersion Option compatible] | 157.50 |
| KBP-7 | AA Alkaline Refillable Battery Pack (6 AA; 9V) cells not included Note: the color of the case is orange | 68.50 |
| KSC-32 | Rapid rate single unit charger for KNB-31A/32N/33L/41NC/43L/47L/48L/50NC Note: Includes 110/220V auto-switching AC adapter with U.S.-style line cord plug; requires plug adapter for 220V Euro-style outlets (not supplied). | 70.00 |
| KSC-326K | Rapid rate 6-unit charger for KNB-31A/32N/33L/41NC/43L/47L/48L/50NC | 630.00 |
| KMB-30M | Wall Mount Bracket for KSC-326K/256K | 33.75 |
| KMB-23 | Six Unit Charger Adapter for the KSC-16/20/24/25/25L/32 chargers (chargers not included) | 191.00 |
| KVC-15 | Rapid rate DC vehicular charger adapter for the KSC-32 (chargers not included; includes KSC-mobile bracket & cigarette lighter cable DC adapter) | 119.00 |
| KVC-20L | Vehicular D.C. Charger for 180/5**0/, NX Portables with Li-ion or Li Polymer Battery | 497.00 |

| CARRYING ACCESSORIES | | LIST |
|-----------------------------|--|-------------|
| KBH-11 | Spring action belt clip (2.5") | 14.70 |
| KBH-8DS | Leather swivel belt loop with portable D-Ring attachment | 26.30 |
| KLH-6SW | Leather swivel belt loop / detachable swivel D-Ring back | 22.00 |
| KLH-137ST | Firemen's Heavy-Duty Leather Shoulder Strap for a Heavy-Duty Leather Case (KLH-75B/76B/78B/92/122/123/133/148/154) | 36.75 |
| KLH-148K | Heavy duty leather carrying case for NX-200/300/TK-5220/5320 (Non DTMF keypad models) | 44.25 |
| KLH-148K2 | Heavy duty leather carrying case for NX-200/300/TK-5220/5320 (DTMF keypad models) | 44.25 |
| KLH-149K | Nylon carrying case for NX-200/300/TK-5220/5320 (Non DTMF keypad models) | 26.30 |
| KLH-149K2 | Nylon carrying case for NX-200/300/TK-5220/5320 (DTMF keypad models) | 26.30 |

| SPECIAL COLOR HOUSING | | LIST |
|------------------------------|---|-------------|
| KWD-YH20-NX | Yellow Housing Kit for NX-x00 portables (6 Control Keys Version Only) Order L-1714 for Factory Install. (required for Intrinsically Safe & IP67 radio orders) | 40.00 |
| KWD-OH20-NX | Orange Housing Kit for NX-x00 portables (6 Control Keys Version Only) Order L-1739 for Factory Install. (required for Intrinsically Safe & IP67 radio orders) | 40.00 |

| MICROPHONES & AUDIO ACCESSORIES | | LIST |
|---|---|-------------|
| KMC-51M | MIL-SPEC, IP54/55 DSP Digital Noise-canceling Speaker Mic [see note 2] | 250.00 |
| KMC-52W | MIL-SPEC, IP67 (Immersion) DSP Digital Noise-canceling Speaker Mic [see note 2] Note: Radio does not have an IP67 Immersion option; meets MIL STD810 rain standards | 300.00 |
| [note 2]: To adjust microphone settings different from factory default, download KPG-147NC configuration software and special configuration firmware from Kenwood Tools (no charge). | | |
| KMC-47GPS | GPS Speaker Microphone [Immersion Option compatible] | 290.00 |
| KMC-40 | MIL-SPEC, Speaker Mic. with Antenna Connector [Intrinsically Safe Approved Accessory] Note: 5/16" Coax cable hex wrench included (antenna is not included). | 250.00 |
| KMC-41M | MIL-SPEC, IP54/55 Noise-canceling Speaker Mic [Intrinsically Safe Approved Accessory] | 96.50 |
| KMC-42WM | MIL-SPEC, IP67 (Immersion) Noise-canceling Speaker Mic [Intrinsically Safe Approved Accessory] Note: Radio does not have an IP67 Immersion option; meets MIL STD810 rain standards | 114.00 |
| KEP-1 | 3.5mm earphone kit for KMC-25/26/41M/42WM Speaker Mics [Intrinsically Safe Approved Accessory] | 52.50 |
| KCT-30 | 2.5mm Audio Accessory Adapter for KEP-3/4 [Intrinsically Safe Approved Accessory] | 64.00 |
| KCT-51 | Hirose 6-pin Adapter (adapts KVL/aftermarket audio acc. to portable connector) [Intrinsically Safe Approved Accessory] | 215.00 |
| KEP-3 | 30" Earphone kit w/ 2.5mm plug for KCT-30 [Intrinsically Safe Approved Accessory] | 51.50 |
| KEP-4 | 48" Earphone kit w/ 2.5mm plug for KCT-30 [Intrinsically Safe Approved Accessory] | 54.75 |
| KHS-11BE | 2-wire palm mic w/earphone, universal connector (Beige) [Intrinsically Safe Approved Accessory] | 156.50 |

| MICROPHONES & AUDIO ACCESSORIES - CONT'D | | LIST |
|---|--|-------------|
| KHS-11BL | 2-wire palm mic w/earphone, universal connector (Black) [Intrinsically Safe Approved Accessory] | 156.50 |
| KHS-12BE | 3-wire mini lapel mic w/earphone, universal connector (Beige) [Intrinsically Safe Approved Accessory] | 184.00 |
| KHS-12BL | 3-wire mini lapel mic w/earphone, universal connector (Black) [Intrinsically Safe Approved Accessory] | 184.00 |
| KHS-14 | Lt. Wt. Single muff headset w/boom mic & In-line PTT [Intrinsically Safe Approved Accessory] | 126.00 |
| KHS-15-BH | Hvy-duty noise reduction behind-the-headset w/noise cancelling boom mic & in-line PTT [Intrinsically Safe Approved Accessory] | 420.00 |
| KHS-15-OH | Hvy-duty noise reduction over-the-headset w/noise cancelling boom mic & in-line PTT [Intrinsically Safe Approved Accessory] | 368.00 |

| FIRMWARE OPTIONS | | LIST |
|-------------------------|--|-------------|
| KWD-P25C | P25 Flash upgrade; NX-200/300/700/800 Must order L-1662 Note: KWD-P25C will be Kenwood factory installed only (units must be returned for upgrade) | 792.00 |

| SOFTWARE OPTIONS | | LIST |
|-------------------------|---|-------------|
| KPG-150AP | NEXEDGE OTAP Manager Windows Software. • License Includes 10 radios / 1 Serial Port* • To add more radios/serial ports, you must contact Kenwood Systems Division [1-800-TRUNKING] | 550.00 |
| KPG-151AE | AES/DES Encryption Software Key Loader for KWD-DE21K/KWD-AE21K Note: KPG-151AE is a U.S. DOC/BIS Export Controlled Item (ECCN 5D002A) - See IMPORTANT NOTES - | 525.00 |

| OPTION MODULES | | LIST |
|-----------------------|---|-------------|
| KCT-48VU | External Vibration Unit [Intrinsically Safe Approved Accessory] Note: Audio accessories cannot be used when this option installed. | 49.00 |
| KCT-57MS | Man-Down Internal Tilt Switch (Non-Mercury) [Intrinsically Safe Approved Accessory]- Must be Kenwood installed for I.S. Order L-1093 for NXDN®/FleetSync® operations | 22.00 |
| KWD-AE20K | AES FIPS140-2 & DES Encryption Module for TK-5*10/5*20 & NX-*00/*10 Portables & Mobiles (except K7 & S Portable) [Intrinsically Safe Approved Accessory] - Order a Labor Code L-1717 if installation is required. KWD-AE20K requires: a Motorola KVL3000 Plus key loader device. KWD-AE20K is an U.S. DOC/BIS Export Controlled Item (ECCN 5A002A.1) - See IMPORTANT NOTES - | 998.00 |
| KWD-AE21K | AES & DES Encryption Module for TK-5*10/5*20 & NX-*00/*10 Portables & Mobiles (except K7 & S Portable) [Intrinsically Safe Approved Accessory] - Order a Labor Code (L-1718) if installation is required. Note: Requires KPG-151AE software key loader or Motorola KVL3000 Plus key loader device. KWD-AE21K is an U.S. DOC/BIS Export Controlled Item (ECCN 5A002A.1) - See IMPORTANT NOTES - | 998.00 |
| KWD-DE21K | DES Encryption Module for TK-5*10/5*20 & NX-*00/*10 Portables & Mobiles (except S Portable) [Intrinsically Safe Approved Accessory] - Order a Labor Code (L-1719) if installation is required Note: Requires KPG-151AE software key loader or Motorola KVL3000 Plus key loader device. KWD-DE21K is a U.S. DOC/BIS Export Controlled Item (ECCN 5A992A) - See IMPORTANT NOTES - | 578.00 |
| VGS-1 | Voice Guide and Storage Unit [Intrinsically Safe Approved Accessory] | 87.50 |

| SERVICE RELATED ACCESSORIES | | LIST |
|------------------------------------|--|-------------|
| KPG-111DNK | Windows® Programming Software for NX-200/210/300/410/411/700/800/900/901 (Compliant with FCC Part 90 Narrowbanding) | 103.25 |
| KPG-36UM | USB Programming interface cable | 158.50 |

| INSTALLATION / TUNING CHARGES | | LIST |
|--------------------------------------|--|-------------|
| L-961 | Assemble KMB-23 with six KSC-32K's (Rapid Rate, 120 Volt version only) | 17.00 |
| L-1084 | NX-200(S)/300(S) Programming (with basic TX/RX check) | 37.50 |
| L-1087 | Install VGS-1 Voice Guide & Storage Unit | 25.00 |
| L-1093 | NX-200(S)/300(S) Portable KCT-57MS Installation (for NXDN® / FleetSync®) | 20.00 |
| L-1100 | Multi-Channel Encoder Modification | 25.00 |
| L-1101 | Configure NX-200/300 for Intrinsically Safe Must order an I.S. battery | 70.00 |
| L-1662 | NX-200/300 P25 Conventional Software Upgrade Must order a KWD-P25C firmware option | N/C |
| L-1714 | Assemble Yellow Housing KWD-YH20-NX with NX-200K/300K/300K3 Portable | 27.00 |
| L-1717 | Install KWD-AE20K in NX-200/300 Portables (Must purchase module separately) | 75.00 |
| L-1718 | Install KWD-AE21K in NX-200/300 Portables (Must purchase module separately) | 75.00 |
| L-1719 | Install KWD-DE21K in NX-200/300 Portables (Must purchase module separately) | 75.00 |
| L-1739 | Assemble Orange Housing KWD-OH20-NX with NX-200K/300K/300K3 Portable | 27.00 |

| MPT FIRMWARE/ACCESSORIES/TUNING | | LIST |
|--|--|-------------|
| KPG-143DNK | Windows® Programming Software for NX series MPT (Compliant with FCC Part 90 Narrowbanding) (Dealer Level License ID included) Note: Must order L-1727 for Network Level License ID & programming privileges | 103.25 |
| KWD-NX10MPT | MPT Trunking Field Upgrade Kit for NX series radio Must order L-1729 Note: Not compatible with any other firmware options. Radio does not retain LTR trunking features once the MPT option is installed. | 66.70 |
| L-1726 | Install MPT option in NX series radio | 25.00 |
| L-1727 | Network Level License ID for KPG-143D(N) NX series Programmer | 158.33 |
| L-1728 | Retrofit Install of MPT option in NX series radio For previously purchased NX series radios. Order L-1728 through LMR order desk/rep. Ship radios to attn: Kenwood LMR Tuning, Long Beach for installation. Include Kenwood order number for L-1728 provided by order desk & copy of company P.O. or P.O. number. Note: see NX series MPT Introduction Sales Bulletin for details | 85.00 |
| L-1729 | NX Series Radio MPT Firmware FIELD-UPGRADE (Must purchase KWD-NX10MPT separately) | NC |
| L-1730 | Install KCT-57MS (for MPT Emergency Call) | 20.00 |

PassPort® for NX-200/300 Series Portables

PassPort® Options for NEW Radio Orders (Kenwood-installed)

| | | |
|------------|---|--------|
| KPG-163DNK | Programming software for NX-200/300/700/800 with PassPort®/NEXEDGE® Options Installed (12.5 /6.25 CH bandwidths only) • Programs NEXEDGE, PassPort®, LTR & analog Conventional modes. • Not for use on a standard NEXEDGE radios • KPG-111D(N) Must be installed in PC prior to installing KPG-163DNK. | 165.00 |
| L-1743 | Install PassPort®-Classic / NEXEDGE option in NX- 200/300/700/800 • Order one per radio • KPG-163DNK required to program radio | 80.00 |
| L-1744 | Install PassPort®-Enhanced / NEXEDGE Option in NX- 200/300/700/800 • Order one per radio • KPG-163DNK required to program radio | 108.35 |
| PGM-NX-PP | PassPort ESN Generator device for NX-200/300/700/800 Note: PGM-NX-PP is stocked in minimum quantities. Please anticipate a minimum of 30 day lead time and call order desk to verify availability. • The TK-x180 PassPort ESN Generator device is NOT compatible for NX-x00 ESN loads. • The PGM-NX-PP requires older KPG-36AM (portable) & KPG-46AM (mobile) radio program interface cables with serial DB9 and an aftermarket DB9F-to-DB25M adapter ("KPG-XXUM" USB style cables are not compatible). | 200.00 |

PassPort® Options for Dealer/Operator Field Conversions (Field-installation kits) - Information on following page

PassPort® Options for Dealer/Operator Field Conversions (Field-installation kits)

| | | |
|------------|---|--------|
| KPG-163DNK | Programming software for NX-200/300/700/800 with PassPort®/NEXEDGE® Options Installed (12.5 /6.25 CH bandwidths only) <ul style="list-style-type: none"> • Programs NEXEDGE, PassPort®, LTR & analog Conventional modes. • Not for use on a standard NEXEDGE radios • KPG-111D(N) Must be installed in PC prior to installing KPG-163DNK. | 165.00 |
| L-1745 | Field Retrofit PassPort®-Classic / NEXEDGE option for NX-200/300/700/800 (order one option per the number of ESNs required) <ul style="list-style-type: none"> • ESN activation file with ordered number of ESNs and firmware will be shipped on a CD ROM. Allow 15 business days ARO. • KPG-163DNK required to program radio • Requires PGM-NX-PP PassPort ESN Generator device • Note: The TK-x180 PassPort ESN Generator device is NOT compatible for NX-x00 ESN loads. | 80.00 |
| L-1746 | Field Retrofit PassPort®-Enhanced / NEXEDGE Option for NX-200/300/700/800 orders (order option one per the number of ESNs required) <ul style="list-style-type: none"> • ESN activation file with ordered number of ESNs and firmware will be shipped on a CD ROM. Allow 15 business days ARO. • KPG-163DNK required to program radio • Requires PGM-NX-PP PassPort ESN Generator device • Note: The TK-x180 PassPort ESN Generator device is NOT compatible for NX-x00 ESN loads. | 108.35 |
| PGM-NX-PP | PassPort ESN Generator device for NX-200/300/700/800 Note: PGM-NX-PP is stocked in minimum quantities. Please anticipate a minimum of 30 day lead time and call order desk to verify availability. <ul style="list-style-type: none"> • The TK-x180 PassPort ESN Generator device is NOT compatible for NX-x00 ESN loads. • The PGM-NX-PP requires older KPG-36AM (portable) & KPG-46AM (mobile) radio program interface cables with serial DB9 and an aftermarket DB9F-to-DB25M adapter ("KPG-XXUM" USB style cables are not compatible). | 200.00 |

-- IMPORTANT NOTES --

Encryption modules, key loaders and radios containing encryption are export controlled by the U.S. Department of Commerce Bureau of Industry & Security EAR regulations and may either require an Export License, are eligible for a License Exception (ENC) or are exportable with No License Required (NLR) depending on the country, the consignee and the intended use. High level encryption is a special commodity that may require an export license to most countries. See www.bis.gov for more information regarding export regulations. DO NOT SHIP encryption items outside the U.S. without proper DOC/BIS Export Licenses and/or compliances.

Kenwood may request the following information to be submitted at time of order (this information must meet Kenwood internal approvals prior to shipment even if being returned to Kenwood later:

- a) Initial Destination:** Initial delivery point if different from Ultimate Destination (customer distribution center, headquarters, dealership, manufacturer's representative)
 - * Business/Agency Name:
 - * Address:
 - * Contact Person Name:
 - * Contact Phone:
- b) Ultimate Destination:** Final delivery point(s); deployment/distribution
 - * Business/Agency Name:
 - * Address:
 - * Contact Person Name:
 - * Contact Phone:
- c) Intended Use of Radios:** Law enforcement, security, operations, etc.

KWD-AE20 AES FIPS140-2 SCM , NIST Validation & Customer Shipping

A secure delivery method direct to the end user customer is required by the NIST AES FIPS 140-2 validation rules. For U.S. Federal Government entities the SCM must ship from Kenwood USA Corporation directly to the end user customer by a trusted carrier (FEDEX, UPS or a designated Kenwood USA Corporation employee); shipping/handling by a dealer or other entity is not acceptable. This may or may not be required by local/state government agencies or business/industrial users. Please check with the end use customer about their AES encryption handling requirements before ordering. Kenwood will not be responsible for shipments of KWD-AE20K modules to erroneous destinations specified on an order.

NX-200G/300G

[Table of Contents](#)

NEXEDGE® VHF/UHF Digital & FM Analog Portable Radios (w/ built-in GPS)



All NX-G series portables include:

- Belt Clip (KBH-11)
- Universal Connector Cap
- Instruction Manual
- Premium Warranty: 3 Years*

* All Accessories / options: 1 Year

Purchase Battery, Charger, Antenna separately

GENERAL FEATURES

- 5 W (136-174 MHz) Models
- 5 W (400-470, 450-520 MHz) Models
- 512 CH-GID / 128 Zones
- 12-Key Keypad Models
- 14 Character Alphanumeric Aliases
- Backlit Dot Matrix LCD
- Function/Status LCD Icons
- Multi-Language Display
- Date & 12/24 Hour Time Clock
- Transmit/Busy/Call Alert/Warn LED
- On/Off Volume Knob
- 16-Position Mechanical Selector
- 6 Front PF & Menu Keys
- 2 Side PF Keys
- 500 mW Speaker Audio
- Emergency Call Features
- Built-in GPS Unit
(KRA-43G/44G is required for GPS operation)
- KMC-51/52 Digital Noise-Canceling Speaker Mic Option
- KPG-111D Windows® FPU
- Flash Firmware Upgrading
- MIL-STD-810 C/D/E/F/G
- IP54/55 Water & Dust Intrusion
- Immersion (IP67) Option
- PC Serial Interface
- SDM Manual Input1
- Transparent Data Mode
- VGS-1 Voice Guide/ Voice & GPS Data Storage Option
- Color Housing Option

DIGITAL – GENERAL

- NXDN® Digital Air Interface
- AMBE+2™ VOCODER
- 6.25 & 12.5 kHz Channels
- Over-the-Air Alias
- Over-the-Air Programming
- Paging Call
- Emergency Call
- All Group Call
- Status Messaging
- Remote Stun/Kill/Check
- Short & Long Data Messages
- GPS Location with Voice
- NXDN® Scrambler Included
- DES Encryption Module Option
- AES & DES Encryption Module Option
- AES/DES Software Key Loader Option

DIGITAL – CONVENTIONAL MODE

- 64 Radio Access Numbers (RAN)
- Individual & Group Selective Call
- Mixed FM/Digital Operation
- Conventional IP Networks
- Site Roaming

DIGITAL – TRUNKING MODE

- Individual Private Call
- Group Call & Broadcast Call
- Telephone Interconnect
- Transmission Trunked Mode
- Message Trunked Mode
- Call Queuing with Priority
- Late Entry (UID & GID)
- 4 Priority Monitor ID's
- Remote Group Add
- Failsoft Mode

MULTI-SITE IP NETWORKS COMPATIBLE

- 60,000 GIDs / UIDs
- Wide Area Group Call
- Auto Roaming Registration
- Group Registration

MULTI-SYSTEM COMPATIBLE

- 8 Trunked Networks per radio (each in a zone)
- UID Lists for each network

SCAN

- Single Zone / Multi-Zone / List Scan
- Dual Priority Scan (Conventional)

ANALOG MODE – GENERAL

- 25 & 12.5 kHz Channels
- Conventional & LTR® Zones
- FleetSync®/II, MDC-1200, DTMF
- QT / DQT & Two-Tone (Conventional Zones Only)
- Voice Inversion Scrambler
- Analog Scrambler Board Capability

FleetSync®/II (FM)

- PTT ID ANI / Caller ID
- Selective / Group Call
- Emergency Status / Text Messages

MDC-1200

- PTT ID ANI / Caller ID
- Emergency / Radio Check & Inhibit

| RADIO | | LIST |
|-----------|---|--------|
| NX-200GK | 136-174MHz 5W, 14 characters Alphanumeric LCD, 6 Control Keys | 684.00 |
| NX-200GK2 | 136-174MHz 5W, 14 characters Alphanumeric LCD, Full Keypad | 734.00 |
| NX-300GK | 450-520MHz 5W, 14 characters Alphanumeric LCD, 6 Control Keys | 684.00 |
| NX-300GK2 | 400-470MHz 5W, 14 characters Alphanumeric LCD, 6 Control Keys | 684.00 |
| NX-300GK3 | 450-520MHz 5W, 14 characters Alphanumeric LCD, Full Keypad | 734.00 |
| NX-300GK4 | 400-470MHz 5W, 14 characters Alphanumeric LCD, Full Keypad | 734.00 |

| RADIO - CONT'D | | LIST |
|--|--|-------------|
| IP67 (Immersion) Package Models | | |
| NX-200-WGK | 136-174MHz 5W, 14 characters Alphanumeric LCD, 6 Control Keys [see note 1] | 867.00 |
| NX-200-WGK2 | 136-174MHz 5W, 14 characters Alphanumeric LCD, Full Keypad [see note 1] | 917.00 |
| NX-300-WGK | 450-520MHz 5W, 14 characters Alphanumeric LCD, 6 Control Keys [see note 1] | 867.00 |
| NX-300-WGK2 | 400-470MHz 5W, 14 characters Alphanumeric LCD, 6 Control Keys [see note 1] | 867.00 |
| NX-300-WGK3 | 450-520MHz 5W, 14 characters Alphanumeric LCD, Full Keypad [see note 1] | 917.00 |
| NX-300-WGK4 | 400-470MHz 5W, 14 characters Alphanumeric LCD, Full Keypad [see note 1] | 917.00 |
| IP67 Custom Color Radio Housing | | |
| NX-200-WGKYH | NX-200-WK with Yellow Housing Option Installed [see note 1] | 934.00 |
| NX-200-WGKOH | NX-200-WK with Orange Housing Option Installed [see note 1] | 934.00 |
| NX-300-WGKYH | NX-300-WK with Yellow Housing Option Installed [see note 1] | 934.00 |
| NX-300-WGKOH | NX-300-WK with Orange Housing Option Installed [see note 1] | 934.00 |
| NX-300-WGK2YH | NX-300-WK2 with Yellow Housing Option Installed [see note 1] | 934.00 |
| NX-300-WGK2OH | NX-300-WK2 with Orange Housing Option Installed [see note 1] | 934.00 |

[note 1]: these models are stocked in minimum quantities. Please anticipate a minimum 45-90 day lead time and call order desk to verify availability. Service must be performed at one of the 3 Kenwood National Service Centers to maintain certification up to 3 years of Product's Limited Warranty period.

| ANTENNAS | | LIST |
|-----------------|--|-------------|
| KRA-43GM | VHF helical antenna 146-162 MHz (w/GPS) | 17.40 |
| KRA-43GM2 | VHF helical antenna 162-174 MHz (w/GPS) | 17.40 |
| KRA-43GM3 | VHF helical antenna 136-150 MHz (w/GPS) | 17.40 |
| KRA-44GM | UHF helical antenna 440-490 MHz (w/GPS) | 17.40 |
| KRA-44GM2 | UHF helical antenna 470-520 MHz (w/GPS) | 17.40 |
| KRA-44GM3 | UHF helical antenna 400-450 MHz (w/GPS) | 17.40 |
| KRA-26M | VHF helical antenna 146-162 MHz | 14.00 |
| KRA-26M2 | VHF helical antenna 162-174 MHz | 14.00 |
| KRA-26M3 | VHF helical antenna 136-150 MHz | 14.00 |
| KRA-27M | UHF whip antenna 440-490 MHz | 14.00 |
| KRA-27M2 | UHF whip antenna 470-520 MHz | 14.00 |
| KRA-27M3 | UHF whip antenna 400-450 MHz | 14.00 |
| KRA-22M | VHF low-profile helical antenna 148-162 MHz | 13.70 |
| KRA-22M2 | VHF low-profile helical antenna 162-174 MHz | 13.70 |
| KRA-22M3 | VHF Low-profile helical antenna 136-150 MHz | 13.70 |
| KRA-23M | UHF low-profile helical antenna 450-490 MHz | 13.70 |
| KRA-23M2 | UHF low-profile helical antenna 470-512 MHz | 13.70 |
| KRA-23M3 | UHF low-profile helical antenna 403-430 MHz | 13.70 |
| KRA-25 | High gain VHF helically loaded whip antenna 148-162 MHz | 34.25 |
| KRA-28 | Broad-band VHF helically loaded whip antenna 140-170 MHz | 42.00 |

| BATTERIES AND CHARGERS | | LIST |
|-------------------------------|--|-------------|
| KNB-47L | 1950 mAh, Li-ion battery - requires KSC-32/326K charger [Immersion Option compatible] | 105.00 |
| KNB-48L | 2550 mAh, Li-ion battery - requires KSC-32/326K charger [Immersion Option compatible] | 122.50 |
| KBP-7 | AA Alkaline Refillable Battery Pack (6 AA; 9V) cells not included Note: the color of the case is orange | 68.50 |
| KSC-32 | Rapid rate single unit charger for KNB-31A/32N/33L/41NC/43L/47L/48L/50NC Note: Includes 110/220V auto-switching AC adapter with U.S.-style line cord plug; requires plug adapter for 220V Euro-style outlets (not supplied). | 70.00 |
| KSC-326K | Rapid rate 6-unit charger for KNB-31A/32N/33L/41NC/43L/47L/48L/50NC | 630.00 |
| KMB-30M | Wall Mount Bracket for KSC-326K/256K | 33.75 |
| KMB-23 | Six Unit Charger Adapter for the KSC-16/20/24/25/25L/32 chargers (chargers not included) | 191.00 |

| BATTERIES AND CHARGERS CONT'D | | LIST |
|--|---|-------------|
| KVC-15 | Rapid rate DC vehicular charger adapter for the KSC-32 (chargers not included; includes KSC-mobile bracket & cigarette lighter cable DC adapter) | 119.00 |
| KVC-20L | Vehicular D.C. Charger for 180/5**0/, NX Portables with Li-ion or Li Polymer Battery | 497.00 |
| CARRYING ACCESSORIES | | LIST |
| KBH-11 | Spring action belt clip (2.5") | 14.70 |
| KBH-8DS | Leather swivel belt loop with portable D-Ring attachment | 26.30 |
| KLH-6SW | Leather swivel belt loop / detachable swivel D-Ring back | 22.00 |
| KLH-137ST | Firemen's Heavy-Duty Leather Shoulder Strap for a Heavy-Duty Leather Case (KLH-75B/76B/78B/79B//92/122/123/133/148/154) | 36.75 |
| KLH-148K | Heavy duty leather carrying case for NX-200/300/TK-5220/5320 (Non DTMF keypad models) | 44.25 |
| KLH-148K2 | Heavy duty leather carrying case for NX-200/300/TK-5220/5320 (DTMF keypad models) | 44.25 |
| KLH-149K | Nylon carrying case for NX-200/300/TK-5220/5320 (Non DTMF keypad models) | 26.30 |
| KLH-149K2 | Nylon carrying case for NX-200/300/TK-5220/5320 (DTMF keypad models) | 26.30 |
| SPECIAL COLOR HOUSING | | LIST |
| KWD-YH20-NX | Yellow Housing Kit for NX-x00 portables (6 Control Keys Version Only) Order L-1714 for Factory Install. (required for Intrinsically Safe & IP67 radio orders) | 40.00 |
| KWD-OH20-NX | Orange Housing Kit for NX-x00 portables (6 Control Keys Version Only) Order L-1739 for Factory Install. (required for Intrinsically Safe & IP67 radio orders) | 40.00 |
| MICROPHONES & AUDIO ACCESSORIES | | LIST |
| KMC-51M | MIL-SPEC, IP54/55 DSP Digital Noise-canceling Speaker Mic [see note 2] | 250.00 |
| KMC-52W | MIL-SPEC, IP67 (Immersion) DSP Digital Noise-canceling Speaker Mic [see note 2] Note: Radio does not have an IP67 Immersion option; meets MIL STD810 rain standards [note 2]: To adjust microphone settings different from factory default, download KPG-147NC configuration software and special configuration firmware from Kenwood Tools (no charge). | 300.00 |
| KMC-47GPS | GPS Speaker Microphone [Immersion Option compatible] | 290.00 |
| KMC-41M | MIL-SPEC, IP54/55 Noise-canceling Speaker Mic | 96.50 |
| KMC-42WM | MIL-SPEC, IP67 (Immersion) Noise-canceling Speaker Mic Note: Radio does not have an IP67 Immersion option; meets MIL STD810 rain standards | 114.00 |
| KEP-1 | 3.5mm earphone kit for KMC-25/26/41M/42WM Speaker Mics | 52.50 |
| KCT-30 | 2.5mm Audio Accessory Adapter for KEP-3/4 | 64.00 |
| KCT-51 | Hirose 6-pin Adapter (adapts KVL/aftermarket audio acc. to portable connector) | 215.00 |
| KEP-3 | 30" Earphone kit w/ 2.5mm plug for KCT-30 | 51.50 |
| KEP-4 | 48" Earphone kit w/ 2.5mm plug for KCT-30 | 54.75 |
| KHS-11BE | 2-wire palm mic w/earphone, universal connector (Beige) | 156.50 |
| KHS-11BL | 2-wire palm mic w/earphone, universal connector (Black) | 156.50 |
| KHS-12BE | 3-wire mini lapel mic w/earphone, universal connector (Beige) | 184.00 |
| KHS-12BL | 3-wire mini lapel mic w/earphone, universal connector (Black) | 184.00 |
| KHS-14 | Lt. Wt. Single muff headset w/boom mic & In-line PTT | 126.00 |
| KHS-15-BH | Hvy-duty noise reduction behind-the-headset w/noise cancelling boom mic & in-line PTT | 420.00 |
| KHS-15-OH | Hvy-duty noise reduction over-the-headset w/noise cancelling boom mic & in-line PTT | 368.00 |

| SOFTWARE OPTIONS | | LIST |
|-------------------------|--|-------------|
| KPG-150AP | NEXEDGE OTAP Manager Windows Software. • License Includes 10 radios / 1 Serial Port* • To add more radios/serial ports, you must contact Kenwood Systems Division [1-800-TRUNKING] | 550.00 |
| KPG-151AE | AES/DES Encryption Software Key Loader for KWD-DE21K/KWD-AE21K Note: KPG-151AE is a U.S. DOC/BIS Export Controlled Item (ECCN 5D002A) - See IMPORTANT NOTES - | 525.00 |

| OPTION MODULES | | LIST |
|-----------------------|--|-------------|
| KCT-48VU | External Vibration Unit Note: Audio accessories cannot be used when this option installed. | 49.00 |
| KCT-57MS | Man-Down Internal Tilt Switch (Non-Mercury) Order L-1093 for NXDN®/FleetSync® operations | 22.00 |
| KWD-AE20K | AES FIPS140-2 & DES Encryption Module for TK-5*10/5*20 & NX-*00/*10 Portables & Mobiles (except K7 & S Portable) Order a Labor Code L-1717 if installation is required. [see Note 3] KWD-AE20K requires: a Motorola KVL3000 Plus key loader device. KWD-AE20K is a U.S. DOC/BIS Export Controlled Item (ECCN 5A002A.1) - See IMPORTANT NOTES - | 998.00 |
| KWD-AE21K | AES & DES Encryption Module for TK-5*10/5*20 & NX-*00/*10 Portables & Mobiles (except K7 & S Portable) [see Note 3] Order a Labor Code (L-1718) if installation is required. Note: Requires KPG-151AE software key loader or Motorola KVL3000 Plus key loader device. KWD-AE21K is a U.S. DOC/BIS Export Controlled Item (ECCN 5A002A.1) - See IMPORTANT NOTES - | 998.00 |
| KWD-DE21K | DES Encryption Module for TK-5*10/5*20 & NX-*00/*10 Portables & Mobiles (except S Portable) [see Note 3] Order a Labor Code (L-1719) if installation is required Note: Requires KPG-151AE software key loader or Motorola KVL3000 Plus key loader device. KWD-DE21K is a U.S. DOC/BIS Export Controlled Item (ECCN 5A992A) - See IMPORTANT NOTES - | 578.00 |
| VGS-1 | Voice Guide and Storage Unit [see Note 3] | 87.50 |

[note 3]: To install an AES/DES module, a DES module, or a VGS unit, a GPS unit must be removed.

| SERVICE RELATED ACCESSORIES | | LIST |
|------------------------------------|--|-------------|
| KPG-111DNK (Ver 4.4 or newer) | Windows® Programming Software for NX-200/210/300/410/411/700/800/900/901 (Compliant with FCC Part 90 Narrowbanding) | 103.25 |
| KPG-36UM | USB Programming interface cable | 158.50 |

| INSTALLATION / TUNING CHARGES | | LIST |
|--------------------------------------|--|-------------|
| L-961 | Assemble KMB-23 with six KSC-32K's (Rapid Rate, 120 Volt version only) | 17.00 |
| L-1084 | NX-200(S)/300(S) Programming (with basic TX/RX check) | 37.50 |
| L-1087 | Install VGS-1 Voice Guide & Storage Unit | 25.00 |
| L-1093 | NX-200(S)/300(S) Portable KCT-57MS Installation (for NXDN® / FleetSync®) | 20.00 |
| L-1100 | Multi-Channel Encoder Modification | 25.00 |
| L-1714 | Assemble Yellow Housing KWD-YH20-NX with NX-200K/300K/300K3 Portable | 27.00 |
| L-1717 | Install KWD-AE20K in NX-200/300 Portables (Must purchase module separately) | 75.00 |
| L-1718 | Install KWD-AE21K in NX-200/300 Portables (Must purchase module separately) | 75.00 |
| L-1719 | Install KWD-DE21K in NX-200/300 Portables (Must purchase module separately) | 75.00 |
| L-1739 | Assemble Orange Housing KWD-OH20-NX with NX-200K/300K/300K3 Portable | 27.00 |

-- IMPORTANT NOTES --

Encryption modules, key loaders and radios containing encryption are export controlled by the U.S. Department of Commerce Bureau of Industry & Security EAR regulations and may either require an Export License, are eligible for a License Exception (ENC) or are exportable with No License Required (NLR) depending on the country, the consignee and the intended use. High level encryption is a special commodity that may require an export license to most countries. See www.bis.gov for more information regarding export regulations. DO NOT SHIP encryption items outside the U.S. without proper DOC/BIS Export Licenses and/or compliances.

Kenwood may request the following information to be submitted at time of order (this information must meet Kenwood internal approvals prior to shipment even if being returned to Kenwood later:

a) Initial Destination: Initial delivery point if different from Ultimate Destination (customer distribution center, headquarters, dealership, manufacturer's representative)

* Business/Agency Name:

* Address:

* Contact Person Name:

* Contact Phone:

b) Ultimate Destination: Final delivery point(s); deployment/distribution

* Business/Agency Name:

* Address:

* Contact Person Name:

* Contact Phone:

c) Intended Use of Radios: Law enforcement, security, operations, etc.

KWD-AE20 AES FIPS140-2 SCM , NIST Validation & Customer Shipping

A secure delivery method direct to the end user customer is required by the NIST AES FIPS 140-2 validation rules. For U.S. Federal Government entities the SCM must ship from Kenwood USA Corporation directly to the end user customer by a trusted carrier (FEDEX, UPS or a designated Kenwood USA Corporation employee); shipping/handling by a dealer or other entity is not acceptable. This may or may not be required by local/state government agencies or business/industrial users. Please check with the end use customer about their AES encryption handling requirements before ordering. Kenwood will not be responsible for shipments of KWD-AE20K modules to erroneous destinations specified on an order.

NX-210

NEXEDGE® VHF Digital & FM Analog Portable Radio



210 series portable include:

- Belt Clip (KBH-11)
- Universal Connector Cap
- Instruction Manual
- Premium Warranty: 3 Years*

* All Accessories / options: 1 Year

Order packages to include Battery, Charger & Antenna, or purchase Battery, Charger, and Antenna separately.

GENERAL FEATURES

- 5 W (136-174 MHz) Model
- 512 CH-GID / 128 Zones
- 12-Key Keypad Model
- 14 Character Alphanumeric Aliases
- Backlit Dot Matrix LCD
- Function/Status LCD Icons
- Multi-Language Display
- Date & 12/24 Hour Time Clock
- Transmit/Busy/Call Alert/Warn LED
- On/Off Volume Knob
- 6 Front PF & Menu Keys
- 2 Side PF Keys
- Emergency/AUX Key
- 500 mW Speaker Audio
- KMC-47GPS Speaker Mic Option
- KPG-111D Windows® FPU
- Flash Firmware Upgrading
- MIL-STD-810 C/D/E/F/G
- MIL-STD "Driven-Rain"
- IP54/55 Water & Dust Intrusion
- PC Serial Interface
- SDM Manual Input
- Transparent Data Mode
- Intrinsically Safe Option
- VGS-1 Voice Guide/Voice & GPS Data Storage Option

DIGITAL – GENERAL

- NXDN® Digital Air Interface
- AMBE+2™ VOCODER
- 6.25 & 12.5 kHz Channels
- Over-the-Air Alias
- Over-the-Air Programming
- Paging Call
- Emergency Call
- All Group Call
- Status Messaging
- Remote Stun/Kill
- Remote Check
- Short & Long Data Messages
- GPS Location with Voice
- NXDN® Scrambler Included
- DES Encryption Module Option
- AES & DES Encryption Module Option
- AES/DES Software Key Loader Option

DIGITAL – CONVENTIONAL MODE

- 64 Radio Access Numbers (RAN)
- Individual & Group Selective Call
- Mixed FM/Digital Operation
- Conventional IP Networks
- Site Roaming

DIGITAL – TRUNKING MODE

- Individual Private Call
- Group Call & Broadcast Call
- Telephone Interconnect
- Transmission Trunked Mode
- Message Trunked Mode
- Call Queuing with Priority
- Late Entry (UID & GID)
- 4 Priority Monitor ID's
- Remote Group Add
- Failsoft Mode

MULTI-SITE IP NETWORKS COMPATIBLE

- 60,000 GIDs / UIDs
- Wide Area Group Call
- Auto Roaming Registration
- Group Registration

SCAN

- Single Zone / Multi-Zone / List Scan
- Dual Priority Scan (Conventional)

ANALOG MODE – GENERAL

- 25 & 12.5 kHz Channels
- Conventional & LTR® Zones
- FleetSync®/II, MDC-1200, DTMF
- QT / DQT & Two-Tone (Conventional Zones Only)
- Voice Inversion Scrambler
- Analog Scrambler Board Capability

FleetSync®/II (FM)

- PTT ID ANI / Caller ID
- Selective / Group Call
- Emergency Status / Text Messages

MDC-1200

- PTT ID ANI / Caller ID
- Emergency / Radio Check & Inhibit

* Approved by CSA International Inc. for Classes I, II & III, Div. 1, Groups C, D, E, F, G and are also approved for non-Incendive use in Class I, Div. 2, Groups A, B, C, D hazardous locations.
Note: Class I, Div 2 Group A & B Gases require use of a portable carrying case.

| PACKAGE | LIST |
|---|-------------|
| NX-210K2-LKP 136-174MHz 5W, 14 characters Alphanumeric LCD, 6 Control Keys, Full Keypad VHF Li-Ion Battery Package (NX-210K2 + KNB-33L + KSC-32 + KBH-11 + KRA-26M) | 923.00 |
| RADIO | LIST |
| NX-210K2 136-174MHz 5W, 14 characters Alphanumeric LCD, 6 Control Keys, Full Keypad | 734.00 |

CSA APPROVED I.S. MODEL

LIST

Must Order L-1750 & an Intrinsically Safe Battery per radio

| | | |
|-------------|--|--------|
| NX-210-ISK2 | 136-174MHz 5W, 14 characters Alphanumeric LCD, 6 Control Keys, Full Key (I.S.) | 734.00 |
|-------------|--|--------|

ANTENNAS

LIST

| | | |
|----------|--|-------|
| KRA-26M | VHF helical antenna 146-162 MHz | 14.00 |
| KRA-26M2 | VHF helical antenna 162-174 MHz | 14.00 |
| KRA-26M3 | VHF helical antenna 136-150 MHz | 14.00 |
| KRA-22M | VHF low-profile helical antenna 148-162 MHz | 13.70 |
| KRA-22M2 | VHF low-profile helical antenna 162-174 MHz | 13.70 |
| KRA-22M3 | VHF Low-profile helical antenna 136-150 MHz | 13.70 |
| KRA-25 | High gain VHF helically loaded whip antenna 148-162 MHz | 34.25 |
| KRA-28 | Broad-band VHF helically loaded whip antenna 140-170 MHz | 42.00 |

BATTERIES AND CHARGERS

LIST

| | | |
|-----------------|---|--------|
| KNB-54N | 2500 mAh, Ni-MH battery - requires KSC-32/326K charger | 87.50 |
| KNB-33L | 2000 mAh, Li-ion battery - requires KSC-32/326K charger | 105.00 |
| KNB-41NC-CSA-US | 2500 mAh, Ni-MH battery - requires KSC-32/326K charger [CSA Intrinsically Safe Option] | 136.50 |
| KNB-43L | 3300 mAh, Li-Polymer battery - requires KSC-32/326K charger | 163.00 |
| KNB-49PL | 4500 mAh, Primary Lithium battery Note: Non-Rechargeable (please recycle all batteries properly) 10 year Shelf Life (approx. 1% charge degradation per year when properly stored: +50 °F to +86 °F @ less than 70% humidity) | 84.00 |
| KBP-6 | AA Alkaline Refillable Battery Pack (6 AA; 9V) cells not included Note: the color of the case is orange | 68.50 |
| KSC-32 | Rapid rate single unit charger for KNB-31A/32N/33L/41NC/43L/47L/48L/50NC Note: Includes 110/220V auto-switching AC adapter with U.S.-style line cord plug; requires plug adapter for 220V Euro-style outlets (not supplied). | 70.00 |
| KSC-326K | Rapid rate 6-unit charger for KNB-31A/32N/33L/41NC/43L/47L/48L/50NC | 630.00 |
| KMB-30M | Wall Mount Bracket for KSC-326K/256K | 33.75 |
| KMB-23 | Six Unit Charger Adapter for the KSC-16/20/24/25/25L/32 chargers (chargers not included) | 191.00 |
| KVC-15 | Rapid rate DC vehicular charger adapter for the KSC-32 (chargers not included; includes KSC-mobile bracket & cigarette lighter cable DC adapter) | 119.00 |
| KVC-18 | Vehicular D.C. Charger for 180/5*10 Portables with NiCd or NiMH Battery | 446.50 |
| KVC-20L | Vehicular D.C. Charger for 180/5**0/, NX Portables with Li-ion or Li Polymer Battery | 497.00 |

CARRYING ACCESSORIES

LIST

| | | |
|-----------|--|-------|
| KBH-10 | Low profile spring action belt clip (for use with KNB-33L Only) | 8.35 |
| KBH-11 | Spring action belt clip (2.5") | 14.70 |
| KBH-8DS | Leather swivel belt loop with portable D-Ring attachment | 26.30 |
| KLH-6SW | Leather swivel belt loop / detachable swivel D-Ring back | 22.00 |
| KLH-137ST | Firemen's Heavy-Duty Leather Shoulder Strap for a Heavy-Duty Leather Case (KLH-75B/76B/78B/79B//92/122/123/133/148/154) | 36.75 |
| KLH-154K2 | Heavy duty leather carrying case for NX-210K2/410K2/411K2 Note: No belt loop flap is included. Must order KLH-6SW for belt loop. | 44.25 |
| KWR-1 | Water resistant bag | 29.85 |

| MICROPHONES & AUDIO ACCESSORIES | | LIST |
|--|--|-------------|
| KMC-51M | MIL-SPEC, IP54/55 DSP Digital Noise-canceling Speaker Mic [see note 1] [Intrinsically Safe Approved Accessory] * CSA Intrinsically Safe Approved except for Group C gases | 250.00 |
| KMC-52W | MIL-SPEC, IP67 (Immersion) DSP Digital Noise-canceling Speaker Mic [see note 1] Note: Radio does not have an IP67 Immersion option; meets MIL STD810 rain standards [Intrinsically Safe Approved Accessory] * CSA Intrinsically Safe Approved except for Group C gases [note 1]: To adjust microphone settings different from factory default, download KPG-147NC configuration software and special configuration firmware from Kenwood Tools (no charge). | 300.00 |
| KMC-47GPS | GPS Speaker Microphone [Intrinsically Safe Approved Accessory] * CSA Intrinsically Safe Approved except for Group C gases | 290.00 |
| KMC-40 | MIL-SPEC, Speaker Mic. with Antenna Connector [Intrinsically Safe Approved Accessory] Note: 5/16" Coax cable hex wrench included (antenna is not included). | 250.00 |
| KMC-41M | MIL-SPEC, IP54/55 Noise-canceling Speaker Mic [Intrinsically Safe Approved Accessory] | 96.50 |
| KMC-42WM | MIL-SPEC, IP67 (Immersion) Noise-canceling Speaker Mic [Intrinsically Safe Approved Accessory] Note: Radio does not have an IP67 Immersion option; meets MIL STD810 rain standards | 114.00 |
| KEP-1 | 3.5mm earphone kit for KMC-25/26/41M/42WM Speaker Mics [Intrinsically Safe Approved Accessory] | 52.50 |
| KCT-30 | 2.5mm Audio Accessory Adapter for KEP-3/4 [Intrinsically Safe Approved Accessory] | 64.00 |
| KCT-51 | Hirose 6-pin Adapter (adapts KVL/aftermarket audio acc. to portable connector) [Intrinsically Safe Approved Accessory] | 215.00 |
| KEP-3 | 30" Earphone kit w/ 2.5mm plug for KCT-30 [Intrinsically Safe Approved Accessory] | 51.50 |
| KEP-4 | 48" Earphone kit w/ 2.5mm plug for KCT-30 [Intrinsically Safe Approved Accessory] | 54.75 |
| KHS-11BE | 2-wire palm mic w/earphone, universal connector (Beige) [Intrinsically Safe Approved Accessory] | 156.50 |
| KHS-11BL | 2-wire palm mic w/earphone, universal connector (Black) [Intrinsically Safe Approved Accessory] | 156.50 |
| KHS-12BE | 3-wire mini lapel mic w/earphone, universal connector (Beige) [Intrinsically Safe Approved Accessory] | 184.00 |
| KHS-12BL | 3-wire mini lapel mic w/earphone, universal connector (Black) [Intrinsically Safe Approved Accessory] | 184.00 |
| KHS-14 | Lt. Wt. Single muff headset w/boom mic & In-line PTT [Intrinsically Safe Approved Accessory] | 126.00 |
| KHS-15-BH | Hvy-duty noise reduction behind-the-headset w/noise cancelling boom mic & in-line PTT [Intrinsically Safe Approved Accessory] | 420.00 |
| KHS-15-OH | Hvy-duty noise reduction over-the-headset w/noise cancelling boom mic & in-line PTT [Intrinsically Safe Approved Accessory] | 368.00 |

| SOFTWARE OPTIONS | | LIST |
|-------------------------|---|-------------|
| KPG-150AP | NEXEDGE OTAP Manager Windows Software. • License Includes 10 radios / 1 Serial Port* • To add more radios/serial ports, you must contact Kenwood Systems Division [1-800-TRUNKING] | 550.00 |
| KPG-151AE | AES/DES Encryption Software Key Loader for KWD-DE21K/KWD-AE21K Note: KPG-151AE is a U.S. DOC/BIS Export Controlled Item (ECCN 5D002A) - See IMPORTANT NOTES - | 525.00 |

| OPTION MODULES | | LIST |
|--------------------------------------|--|-------------|
| KCT-48VU | External Vibration Unit [Intrinsically Safe Approved Accessory] Note: Audio accessories cannot be used when this option installed. | 49.00 |
| KCT-57MS | Man-Down Internal Tilt Switch (Non-Mercury) [Intrinsically Safe Approved Accessory]- Must be Kenwood installed for I.S. | 22.00 |
| KWD-AE20K | AES FIPS140-2 & DES Encryption Module for TK-5*10/5*20 & NX-*00/*10 Portables & Mobiles (except K7 Portable) [Intrinsically Safe Approved] - Order a Labor Code L-1723 if installation is required. KWD-AE20K requires: a Motorola KVL3000 Plus key loader device. KWD-AE20K is an U.S. DOC/BIS Export Controlled Item (ECCN 5A002A.1) - See IMPORTANT NOTES - | 998.00 |
| KWD-AE21K | AES & DES Encryption Module for TK-5*10/5*20 & NX-*00/*10 Portables & Mobiles (except K7 Portable) [Intrinsically Safe Approved] - Order a Labor Code (L-1724) if installation is required. Note: Requires KPG-151AE software key loader or Motorola KVL3000 Plus key loader device. KWD-AE21K is an U.S. DOC/BIS Export Controlled Item (ECCN 5A002A.1) - See IMPORTANT NOTES - | 998.00 |
| KWD-DE21K | DES Encryption Module for TK-5*10/5*20 & NX-*00/*10 Portables & Mobiles [Intrinsically Safe Approved] - Order a Labor Code (L-1725) if installation is required Note: Requires KPG-151AE software key loader or Motorola KVL3000 Plus key loader device. KWD-DE21K is a U.S. DOC/BIS Export Controlled Item (ECCN 5A992A) - See IMPORTANT NOTES - | 578.00 |
| VGS-1 | Voice Guide and Storage Unit [Intrinsically Safe Approved Accessory] | 87.50 |
| SERVICE RELATED ACCESSORIES | | LIST |
| KPG-111DNK | Windows® Programming Software for NX-200/210/300/410/411/700/800/900/901 (Compliant with FCC Part 90 Narrowbanding) | 103.25 |
| KPG-36UM | USB Programming interface cable | 158.50 |
| INSTALLATION / TUNING CHARGES | | LIST |
| L-961 | Assemble KMB-23 with six KSC-32K's (Rapid Rate, 120 Volt version only) | 17.00 |
| L-1633 | NX-210 Programming (with basic TX/RX check) | 37.50 |
| L-1667 | Install VGS-1 Voice Guide & Storage Unit in NX-210 | 25.00 |
| L-1671 | NX-210/410/411 Portable KCT-57MS Installation (for NXDN® / FleetSync®) | 20.00 |
| L-1723 | Install KWD-AE20K in NX-210/410/411 Portables (Must purchase module separately) | 75.00 |
| L-1724 | Install KWD-AE21K in NX-210/410/411 Portables (Must purchase module separately) | 75.00 |
| L-1725 | Install KWD-DE21K in NX-210/410/411 Portables (Must purchase module separately) | 75.00 |
| L-1750 | Configure NX-210/410/411 for Intrinsically Safe Must order an I.S. battery, KNB-41NC-CSA-US | 70.00 |

-- IMPORTANT NOTES --

Encryption modules, key loaders and radios containing encryption are export controlled by the U.S. Department of Commerce Bureau of Industry & Security EAR regulations and may either require an Export License, are eligible for a License Exception (ENC) or are exportable with No License Required (NLR) depending on the country, the consignee and the intended use. High level encryption is a special commodity that may require an export license to most countries. See www.bis.gov for more information regarding export regulations. DO NOT SHIP encryption items outside the U.S. without proper DOC/BIS Export Licenses and/or compliances.

Kenwood may request the following information to be submitted at time of order (this information must meet Kenwood internal approvals prior to shipment even if being returned to Kenwood later:

a) Initial Destination: Initial delivery point if different from Ultimate Destination (customer distribution center, headquarters, dealership, manufacturer's representative)

* Business/Agency Name:

* Address:

* Contact Person Name:

* Contact Phone:

b) Ultimate Destination: Final delivery point(s); deployment/distribution

* Business/Agency Name:

* Address:

* Contact Person Name:

* Contact Phone:

c) Intended Use of Radios: Law enforcement, security, operations, etc.

KWD-AE20 AES FIPS140-2 SCM , NIST Validation & Customer Shipping

A secure delivery method direct to the end user customer is required by the NIST AES FIPS 140-2 validation rules. For U.S. Federal Government entities the SCM must ship from Kenwood USA Corporation directly to the end user customer by a trusted carrier (FEDEX, UPS or a designated Kenwood USA Corporation employee); shipping/handling by a dealer or other entity is not acceptable. This may or may not be required by local/state government agencies or business/industrial users. Please check with the end use customer about their AES encryption handling requirements before ordering. Kenwood will not be responsible for shipments of KWD-AE20K modules to erroneous destinations specified on an order.

NX-210GK

NEXEDGE® VHF Digital & FM Analog Portable Radio



210G series portable include:

- Belt Clip (KBH-11)
- Universal Connector Cap
- Instruction Manual
- Premium Warranty: 3 Years*

* All Accessories / options: 1 Year

Order packages to include Battery, Charger & Antenna, or purchase Battery, Charger, and Antenna separately.

GENERAL FEATURES

- 5 W (136-174 MHz) Model
- 512 CH-GID / 128 Zones
- 12-Key Keypad Model
- 14 Character Alphanumeric Aliases
- Backlit Dot Matrix LCD
- Function/Status LCD Icons
- Multi-Language Display
- Date & 12/24 Hour Time Clock
- Transmit/Busy/Call Alert/Warn LED
- On/Off Volume Knob
- 6 Front PF & Menu Keys
- 2 Side PF Keys
- Emergency/AUX Key
- 500 mW Speaker Audio
- Built-In GPS Unit
- KPG-111D Windows® FPU
- Flash Firmware Upgrading
- MIL-STD-810 C/D/E/F/G
- MIL-STD "Driven-Rain"
- IP54/55 Water & Dust Intrusion
- PC Serial Interface
- SDM Manual Input
- Transparent Data Mode
- VGS-1 Voice Guide/Voice & GPS Data Storage Option*

DIGITAL – GENERAL

- NXDN® Digital Air Interface
- AMBE+2™ VOCODER
- 6.25 & 12.5 kHz Channels
- Over-the-Air Alias
- Over-the-Air Programming
- Paging Call
- Emergency Call
- All Group Call
- Status Messaging
- Remote Stun/Kill
- Remote Check
- Short & Long Data Messages
- GPS Location with Voice
- NXDN® Scrambler Included
- DES Encryption Module Option*
- AES & DES Encryption Module Option*
- AES/DES Software Key Loader Option

DIGITAL – CONVENTIONAL MODE

- 64 Radio Access Numbers (RAN)
- Individual & Group Selective Call
- Mixed FM/Digital Operation
- Conventional IP Networks
- Site Roaming

DIGITAL – TRUNKING MODE

- Individual Private Call
- Group Call & Broadcast Call
- Telephone Interconnect
- Transmission Trunked Mode
- Message Trunked Mode
- Call Queuing with Priority
- Late Entry (UID & GID)
- 4 Priority Monitor ID's
- Remote Group Add
- Failsoft Mode

MULTI-SITE IP NETWORKS COMPATIBLE

- 60,000 GIDs / UIDs
- Wide Area Group Call
- Auto Roaming Registration
- Group Registration

SCAN

- Single Zone / Multi-Zone / List Scan
- Dual Priority Scan (Conventional)

ANALOG MODE – GENERAL

- 25 & 12.5 kHz Channels
- Conventional & LTR® Zones
- FleetSync®/II, MDC-1200, DTMF
- QT / DQT & Two-Tone (Conventional Zones Only)
- Voice Inversion Scrambler
- Analog Scrambler Board Capability

FleetSync®/II (FM)

- PTT ID ANI / Caller ID
- Selective / Group Call
- Emergency Status / Text Messages

MDC-1200

- PTT ID ANI / Caller ID
- Emergency / Radio Check & Inhibit

* Must remove GPS module to utilize these options

| PACKAGE | LIST |
|--|-------------|
| NX-210GK2-LKP 136-174MHz 5W, 14 characters Alphanumeric LCD, 6 Control Keys, Full Keypad VHF Li-Ion Battery Package (NX-210K2 + KNB-33L + KSC-32 + KBH-11 + KRA-26M) | 923.00 |
| RADIO | LIST |
| NX-210GK2 136-174MHz 5W, 14 characters Alphanumeric LCD, 6 Control Keys, Full Keypad | 734.00 |

| ANTENNAS | | LIST |
|-----------------|--|-------------|
| KRA-43GM | VHF helical antenna 146-162 MHz (w/GPS) | 17.40 |
| KRA-43GM2 | VHF helical antenna 162-174 MHz (w/GPS) | 17.40 |
| KRA-43GM3 | VHF helical antenna 136-150 MHz (w/GPS) | 17.40 |
| KRA-26M | VHF helical antenna 146-162 MHz | 14.00 |
| KRA-26M2 | VHF helical antenna 162-174 MHz | 14.00 |
| KRA-26M3 | VHF helical antenna 136-150 MHz | 14.00 |
| KRA-22M | VHF low-profile helical antenna 148-162 MHz | 13.70 |
| KRA-22M2 | VHF low-profile helical antenna 162-174 MHz | 13.70 |
| KRA-22M3 | VHF Low-profile helical antenna 136-150 MHz | 13.70 |
| KRA-25 | High gain VHF helically loaded whip antenna 148-162 MHz | 34.25 |
| KRA-28 | Broad-band VHF helically loaded whip antenna 140-170 MHz | 42.00 |

| BATTERIES AND CHARGERS | | LIST |
|-------------------------------|---|-------------|
| KNB-54N | 2500 mAh, Ni-MH battery - requires KSC-32/326K charger | 87.50 |
| KNB-33L | 2000 mAh, Li-ion battery - requires KSC-32/326K charger | 105.00 |
| KNB-43L | 3300 mAh, Li-Polymer battery - requires KSC-32/326K charger | 163.00 |
| KNB-49PL | 4500 mAh, Primary Lithium battery Note: Non-Rechargeable (please recycle all batteries properly) 10 year Shelf Life (approx. 1% charge degradation per year when properly stored: +50 °F to +86 °F @ less than 70% humidity) | 84.00 |
| KBP-6 | AA Alkaline Refillable Battery Pack (6 AA; 9V) cells not included Note: the color of the case is orange | 68.50 |
| KSC-32 | Rapid rate single unit charger for KNB-31A/32N/33L/41NC/43L/47L/48L/50NC Note: Includes 110/220V auto-switching AC adapter with U.S.-style line cord plug; requires plug adapter for 220V Euro-style outlets (not supplied). | 70.00 |
| KSC-326K | Rapid rate 6-unit charger for KNB-31A/32N/33L/41NC/43L/47L/48L/50NC | 630.00 |
| KMB-30M | Wall Mount Bracket for KSC-326K/256K | 33.75 |
| KMB-23 | Six Unit Charger Adapter for the KSC-16/20/24/25/25L/32 chargers (chargers not included) | 191.00 |
| KVC-15 | Rapid rate DC vehicular charger adapter for the KSC-32 (chargers not included; includes KSC-mobile bracket & cigarette lighter cable DC adapter) | 119.00 |
| KVC-18 | Vehicular D.C. Charger for 180/5*10 Portables with NiCd or NiMH Battery | 446.50 |
| KVC-20L | Vehicular D.C. Charger for 180/5**0/, NX Portables with Li-ion or Li Polymer Battery | 497.00 |

| CARRYING ACCESSORIES | | LIST |
|-----------------------------|--|-------------|
| KBH-10 | Low profile spring action belt clip (for use with KNB-33L Only) | 8.35 |
| KBH-11 | Spring action belt clip (2.5") | 14.70 |
| KBH-8DS | Leather swivel belt loop with portable D-Ring attachment | 26.30 |
| KLH-6SW | Leather swivel belt loop / detachable swivel D-Ring back | 22.00 |
| KLH-137ST | Firemen's Heavy-Duty Leather Shoulder Strap for a Heavy-Duty Leather Case (KLH-75B/76B/78B/79B//92/122/123/133/148/154) | 36.75 |
| KLH-154K2 | Heavy duty leather carrying case for NX-210K2/410K2/411K2 Note: No belt loop flap is included. Must order KLH-6SW for belt loop. | 44.25 |
| KWR-1 | Water resistant bag | 29.85 |

| MICROPHONES & AUDIO ACCESSORIES | | LIST |
|---|---|-------------|
| KMC-51M | MIL-SPEC, IP54/55 DSP Digital Noise-canceling Speaker Mic [see note 1] | 250.00 |
| KMC-52W | MIL-SPEC, IP67 (Immersion) DSP Digital Noise-canceling Speaker Mic [see note 1] Note: Radio does not have an IP67 Immersion option; meets MIL STD810 rain standards | 300.00 |
| [note 1]: To adjust microphone settings different from factory default, download KPG-147NC configuration software and special configuration firmware from Kenwood Tools (no charge). | | |
| KMC-41M | MIL-SPEC, IP54/55 Noise-canceling Speaker Mic | 96.50 |
| KMC-42WM | MIL-SPEC, IP67 (Immersion) Noise-canceling Speaker Mic Note: Radio does not have an IP67 Immersion option; meets MIL STD810 rain standards | 114.00 |
| KEP-1 | 3.5mm earphone kit for KMC-25/26/41M/42WM Speaker Mics | 52.50 |
| KCT-30 | 2.5mm Audio Accessory Adapter for KEP-3/4 | 64.00 |
| KCT-51 | Hirose 6-pin Adapter (adapts KVL/aftermarket audio acc. to portable connector) | 215.00 |
| KEP-3 | 30" Earphone kit w/ 2.5mm plug for KCT-30 | 51.50 |
| KEP-4 | 48" Earphone kit w/ 2.5mm plug for KCT-30 | 54.75 |
| KHS-11BE | 2-wire palm mic w/earphone, universal connector (Beige) | 156.50 |
| KHS-11BL | 2-wire palm mic w/earphone, universal connector (Black) | 156.50 |
| KHS-12BE | 3-wire mini lapel mic w/earphone, universal connector (Beige) | 184.00 |
| KHS-12BL | 3-wire mini lapel mic w/earphone, universal connector (Black) | 184.00 |
| KHS-14 | Lt. Wt. Single muff headset w/boom mic & In-line PTT | 126.00 |
| KHS-15-BH | Hvy-duty noise reduction behind-the-headset w/noise cancelling boom mic & in-line PTT | 420.00 |
| KHS-15-OH | Hvy-duty noise reduction over-the-headset w/noise cancelling boom mic & in-line PTT | 368.00 |

| SOFTWARE OPTIONS | | LIST |
|-------------------------|--|-------------|
| KPG-150AP | NEXEDGE OTAP Manager Windows Software. • License Includes 10 radios / 1 Serial Port* • To add more radios/serial ports, you must contact Kenwood Systems Division [1-800-TRUNKING] | 550.00 |
| KPG-151AE | AES/DES Encryption Software Key Loader for KWD-DE21K/KWD-AE21K Note: KPG-151AE is a U.S. DOC/BIS Export Controlled Item (ECCN 5D002A) - See IMPORTANT NOTES - | 525.00 |

| OPTION MODULES | | LIST |
|-----------------------|---|-------------|
| KCT-48VU | External Vibration Unit Note: Audio accessories cannot be used when this option installed. | 49.00 |
| KCT-57MS | Man-Down Internal Tilt Switch (Non-Mercury) | 22.00 |
| KWD-AE20K | AES FIPS140-2 & DES Encryption Module for TK-5*10/5*20 & NX-*00/*10 Portables & Mobiles (except K7 Portable) KWD-AE20K requires: a Motorola KVL3000 Plus key loader device. KWD-AE20K is an U.S. DOC/BIS Export Controlled Item (ECCN 5A002A.1) - See IMPORTANT NOTES - | 998.00 |
| KWD-AE21K | AES & DES Encryption Module for TK-5*10/5*20 & NX-*00/*10 Portables & Mobiles (except K7 Portable) Note: Requires KPG-151AE software key loader or Motorola KVL3000 Plus key loader device. KWD-AE21K is an U.S. DOC/BIS Export Controlled Item (ECCN 5A002A.1) - See IMPORTANT NOTES - | 998.00 |
| KWD-DE21K | DES Encryption Module for TK-5*10/5*20 & NX-*00/*10 Portables & Mobiles Note: Requires KPG-151AE software key loader or Motorola KVL3000 Plus key loader device. KWD-DE21K is a U.S. DOC/BIS Export Controlled Item (ECCN 5A992A) - See IMPORTANT NOTES - | 578.00 |
| VGS-1 | Voice Guide and Storage Unit | 87.50 |

| SERVICE RELATED ACCESSORIES | | LIST |
|------------------------------------|---|-------------|
| KPG-111DNK | Windows® Programming Software for NX-200/210/300/410/411/700/800/900/901 Note: Version 4.40 is required to program "G" models | 103.25 |
| KPG-36UM | USB Programming interface cable | 158.50 |

| INSTALLATION / TUNING CHARGES | | LIST |
|--------------------------------------|--|-------------|
| L-961 | Assemble KMB-23 with six KSC-32K's (Rapid Rate, 120 Volt version only) | 17.00 |
| L-1633 | NX-210 Programming (with basic TX/RX check) | 37.50 |
| L-1667 | Install VGS-1 Voice Guide & Storage Unit in NX-210 | 25.00 |
| L-1671 | NX-210/410/411 Portable KCT-57MS Installation (for NXDN® / FleetSync®) | 20.00 |
| L-1723 | Install KWD-AE20K in NX-210/410/411 Portables (Must purchase module separately) | 75.00 |
| L-1724 | Install KWD-AE21K in NX-210/410/411 Portables (Must purchase module separately) | 75.00 |
| L-1725 | Install KWD-DE21K in NX-210/410/411 Portables (Must purchase module separately) | 75.00 |

-- IMPORTANT NOTES --

Encryption modules, key loaders and radios containing encryption are export controlled by the U.S. Department of Commerce Bureau of Industry & Security EAR regulations and may either require an Export License, are eligible for a License Exception (ENC) or are exportable with No License Required (NLR) depending on the country, the consignee and the intended use. High level encryption is a special commodity that may require an export license to most countries. See www.bis.gov for more information regarding export regulations. DO NOT SHIP encryption items outside the U.S. without proper DOC/BIS Export Licenses and/or compliances.

Kenwood may request the following information to be submitted at time of order (this information must meet Kenwood internal approvals prior to shipment even if being returned to Kenwood later:

- a) Initial Destination:** Initial delivery point if different from Ultimate Destination (customer distribution center, headquarters, dealership, manufacturer's representative)
 - * Business/Agency Name:
 - * Address:
 - * Contact Person Name:
 - * Contact Phone:
- b) Ultimate Destination:** Final delivery point(s); deployment/distribution
 - * Business/Agency Name:
 - * Address:
 - * Contact Person Name:
 - * Contact Phone:
- c) Intended Use of Radios:** Law enforcement, security, operations, etc.

KWD-AE20 AES FIPS140-2 SCM , NIST Validation & Customer Shipping

A secure delivery method direct to the end user customer is required by the NIST AES FIPS 140-2 validation rules. For U.S. Federal Government entities the SCM must ship from Kenwood USA Corporation directly to the end user customer by a trusted carrier (FEDEX, UPS or a designated Kenwood USA Corporation employee); shipping/handling by a dealer or other entity is not acceptable. This may or may not be required by local/state government agencies or business/industrial users. Please check with the end use customer about their AES encryption handling requirements before ordering. Kenwood will not be responsible for shipments of KWD-AE20K modules to erroneous destinations specified on an order.

NX-220 / 320

NEXEDGE® VHF/UHF Digital & FM Analog Portable Radios



All 20 series NX portables include:

- Belt Clip (KBH-12)
- 2-PIN Connector Cap
- Instruction Manual
- Premium Warranty: 3 Years*

* All Accessories / options: 1 Year

Order packages to include Battery, Charger & Antenna, or purchase Battery, Charger, and Antenna separately.

--- Must Order **L-1732** for Intrinsically Safe Option ---
* Approved for Classes I, II & III, Div. 1, Groups C, D, E, F, G and are also approved for non-Incendive use in Classes I, II & III Div. 2, Groups A, B, C, D, F, G hazardous locations.

GENERAL FEATURES

- 5 W (136-174 MHz) Models
- 5 W (400-470, 450-520 MHz) Models
- 260 CH-GID / 128 Zones
- 64 CH-GID / 4 Zones (Non Display Version)
- 12-Key Keypad Models
- 8 Character Alphanumeric Aliases
- Backlit LCD & Keys
- Function/Status LCD Icons
- Transmit/Busy/Call Alert/Warn LED
- On/Off Volume Knob
- 16-Position Mechanical Selector
- 4 Front PF Keys
- 3 Side PF Keys
- Emergency/AUX Key
- Built-in Motion Sensor
- 500 mW Speaker Audio
- Zone/CH# Voice Announcement
- KMC-48GPS Speaker Mic Option
- KPG-141D Windows® FPU
- Flash Firmware Upgrading
- MIL-STD-810 C/D/E/F/G
- IP54/55 Water & Dust Intrusion
- PC Serial Interface
- SDM Manual Input
- Transparent Data Mode

DIGITAL – GENERAL

- NXDN® Digital Air Interface
- AMBE+2™ VOCODER
- 6.25 & 12.5 kHz Channels
- Over-the-Air Alias
- Over-the-Air Programming
- Paging Call
- Emergency Call
- All Group Call
- Status Messaging
- Remote Stun/Kill/Check
- Short & Long Data Messages
- GPS Location with Voice
- NXDN® Scrambler Included

DIGITAL – CONVENTIONAL MODE

- 64 Radio Access Numbers (RAN)
- Individual & Group Selective Call
- Mixed FM/Digital Operation
- Conventional IP Networks
- Site Roaming

DIGITAL – TRUNKING MODE

- Individual Private Call
- Group Call & Broadcast Call
- Telephone Interconnect
- Transmission Trunked Mode
- Message Trunked Mode
- Call Queuing with Priority
- Late Entry (UID & GID)
- 4 Priority Monitor ID's
- Remote Group Add
- Failsafe Mode

MULTI-SITE IP NETWORKS COMPATIBLE

- 60,000 GIDs / UIDs
- Wide Area Group Call
- Auto Roaming Registration
- Group Registration

MULTI-SYSTEM COMPATIBLE

- 8 Trunked Networks per radio (each in a zone)
- UID Lists for each network

SCAN

- Single Zone / Multi-Zone / List Scan
- Single Priority Scan (Conventional)

ANALOG MODES – GENERAL

- 12.5 kHz Channels
- Conventional & LTR® Zones
- FleetSync®/II, MDC-1200, DTMF
- QT/DQT/Two-Tone (Conventional Zones Only)
- Voice Inversion Scrambler (16 Codes)

MPT ZONES (option)

- Single-Site Trunking
- Multi-Site Network Trunking
- 8 Network Capacity
- Network Roaming / Registration

FleetSync®/II

- PTT ID ANI / Caller ID
- Selective / Group Call
- Emergency, Status & Text Messages

MDC-1200

- PTT ID ANI / Caller ID
- Emergency, Radio Check & Inhibit

| Li-ion VALUE PACKAGES | | | | LIST |
|------------------------------|------------------------------|--|--|-------------|
| NX-220K2-SLKVP | VHF Li-ion Value Pack | (NX-220K2 + KNB-55L + KSC-25L + KRA-26M) | | 675.80 |
| NX-220K2-LKVP | VHF Hi-Cap Li-ion Value Pack | (NX-220K2 + KNB-57L + KSC-25L + KRA-26M) | | 713.80 |
| NX-320K2-SLKVP | UHF Li-ion Value Pack | (NX-320K2 + KNB-55L + KSC-25L + KRA-27M) | | 675.80 |
| NX-320K2-LKVP | UHF Hi-Cap Li-ion Value Pack | (NX-320K2 + KNB-57L + KSC-25L + KRA-27M) | | 713.80 |

| PACKAGES | | | | LIST |
|-----------------|---------------------------|---|--|-------------|
| NX-220K2-NKP | VHF Basic Package | (NX-220K2 + KNB-56N + KSC-30 + KRA-26M) | | 664.00 |
| NX-220K2-SLKP | VHF Standard Slim Package | (NX-220K2 + KNB-55L + KSC-25 + KRA-26M) | | 689.50 |
| NX-220K2-LKP | VHF Premium Package | (NX-220K2 + KNB-57L + KSC-25 + KRA-26M) | | 727.50 |
| NX-320K2-NKP | UHF Basic Package | (NX-320K2 + KNB-56N + KSC-30 + KRA-27M) | | 664.00 |
| NX-320K2-SLKP | UHF Standard Slim Package | (NX-320K2 + KNB-55L + KSC-25 + KRA-27M) | | 689.50 |
| NX-320K2-LKP | UHF Premium Package | (NX-320K2 + KNB-57L + KSC-25 + KRA-27M) | | 727.50 |

| RADIO | | LIST |
|--------------|---|-------------|
| NX-220K | 136-174 MHz 5W, 64 CH | 470.00 |
| NX-220K2 | 136-174 MHz 5W, 260 CH, 8 characters Alphanumeric LCD, 4 PF Keys | 553.50 |
| NX-220K3 | 136-174 MHz 5W, 260 CH, 8 characters Alphanumeric LCD, 4 PF Keys, Full Keypad | 603.50 |
| NX-320K | 450-520 MHz 5W, 64 CH | 470.00 |
| NX-320K2 | 450-520 MHz 5W, 260 CH, 8 characters Alphanumeric LCD, 4 PF Keys | 553.50 |
| NX-320K3 | 450-520 MHz 5W, 260 CH, 8 characters Alphanumeric LCD, 4 PF Keys, Full Keypad | 603.50 |
| NX-320K4 | 400-470 MHz 5W, 64 CH | 470.00 |
| NX-320K5 | 400-470 MHz 5W, 260 CH, 8 characters Alphanumeric LCD, 4 PF Keys | 553.50 |
| NX-320K6 | 400-470 MHz 5W, 260 CH, 8 characters Alphanumeric LCD, 4 PF Keys, Full Keypad | 603.50 |

| SGS US I.S. APPROVED MODELS | | LIST |
|--|---|-------------|
| Must Order L-1732 & an Intrinsically Safe Battery per radio | | |
| NX-220-ISK | 136-174 MHz 5W, 64 CH | 470.00 |
| NX-220-ISK2 | 136-174 MHz 5W, 260 CH, 8 characters Alphanumeric LCD, 4 PF Keys | 553.50 |
| NX-220-ISK3 | 136-174 MHz 5W, 260 CH, 8 characters Alphanumeric LCD, 4 PF Keys, Full Keypad | 603.50 |
| NX-320-ISK | 450-520 MHz 5W, 64 CH | 470.00 |
| NX-320-ISK2 | 450-520 MHz 5W, 260 CH, 8 characters Alphanumeric LCD, 4 PF Keys | 553.50 |
| NX-320-ISK3 | 450-520 MHz 5W, 260 CH, 8 characters Alphanumeric LCD, 4 PF Keys, Full Keypad | 603.50 |
| NX-320-ISK4 | 400-470 MHz 5W, 64 CH | 470.00 |
| NX-320-ISK5 | 400-470 MHz 5W, 260 CH, 8 characters Alphanumeric LCD, 4 PF Keys | 553.50 |
| NX-320-ISK6 | 400-470 MHz 5W, 260 CH, 8 characters Alphanumeric LCD, 4 PF Keys, Full Keypad | 603.50 |

| ANTENNAS | | LIST |
|-----------------|--|-------------|
| KRA-22M | VHF Low-profile helical antenna 148-162 MHz | 13.70 |
| KRA-22M2 | VHF Low -profile helical antenna 162-174 MHz | 13.70 |
| KRA-22M3 | VHF Low-profile helical antenna 136-150 MHz | 13.70 |
| KRA-23M | UHF Low-profile helical antenna 450-490 MHz | 13.70 |
| KRA-23M2 | UHF Low-profile helical antenna 470-512 MHz | 13.70 |
| KRA-23M3 | UHF Low-profile helical antenna 403-430 MHz | 13.70 |
| KRA-26M | VHF helical antenna 146-162 MHz | 14.00 |
| KRA-26M2 | VHF helical antenna 162-174 MHz | 14.00 |
| KRA-26M3 | VHF helical antenna 136-150 MHz | 14.00 |
| KRA-27M | UHF whip antenna 440-490 MHz | 14.00 |
| KRA-27M2 | UHF whip antenna 470-520 MHz | 14.00 |
| KRA-27M3 | UHF whip antenna 400-450 MHz | 14.00 |

| BATTERIES AND CHARGERS | | LIST |
|-------------------------------|---|-------------|
| KBP-5 | AA Alkaline Refillable Battery Pack (6 AA; 9V) cells not included | 49.00 |
| KNB-40LCV | 1950 mAh, Li-ion battery - requires KSC-25/25L/256K charger [Intrinsically Safe Option] | 112.00 |
| KNB-55L | 1480 mAh, Li-ion battery - requires KSC-25/25L/256K charger | 60.00 |
| KNB-56N | 1400 mAh, Ni-MH battery | 65.00 |
| KNB-57L | 2000 mAh, Li-ion battery - requires KSC-25/25L/256K charger | 98.00 |
| KSC-25L | 100~240 volt rapid rate single unit charger for KNB-35L/40LC(V)/55L/57L Li-ion Battery | 48.30 |
| KSC-25 | 110 volt Rapid rate single unit charger for KNB-25A/26N/35L/40LC(V)/55L/56N/57L | 62.00 |
| KSC-30 | 110 volt Regular rate single unit charger for KNB-25A/26N/56N | 31.50 |

| BATTERIES AND CHARGERS - CONT'D | | LIST |
|--|---|-------------|
| KSC-256K | Rapid rate 6-Unit charger for KNB-25A/26N/35L/40LC(V)/55L/56N/57L | 630.00 |
| KMB-30M | Wall Mount Bracket for KSC-326K/256K | 33.75 |
| KMB-16 | Six Unit Charger Adapter for the KSC-16/20/24/25/25L/30 chargers (chargers not included) | 173.00 |
| KMB-23 | Six Unit Charger Adapter for the KSC-16/20/24/25/25L/32 chargers (chargers not included) | 191.00 |
| KVC-3 | Vehicular charger adapter for the KSC-15/17/19/25L/30 chargers (chargers not included) | 63.00 |
| KVC-4 | Vehicular charger adapter for the KSC-16/18/20/24/25 chargers (chargers not included) | 84.00 |

| CARRYING ACCESSORIES | | LIST |
|-----------------------------|--|-------------|
| KBH-12 | Spring action belt clip | 8.35 |
| KBH-13DS | Leather swivel belt loop with portable D-Ring attachment | 28.85 |
| KLH-179K | Heavy-Duty Leather Case w/Swivel Belt Loop for NX-220K/320K/K4 (Non Display) | 49.00 |
| KLH-179K2 | Heavy-Duty Leather Case w/Swivel Belt Loop for NX-220K2/320K2/K5 (Display) | 49.00 |
| KLH-179K3 | Heavy-Duty Leather Case w/Swivel Belt Loop for NX-220K3/320K3/K6 (Full Keypad) | 49.00 |
| KLH-180K | Nylon carrying case for NX-220K/320K/K4 (Non Display) | 26.30 |
| KLH-180K2 | Nylon carrying case for NX-220K2/320K2/K5 (Display) | 26.30 |
| KLH-180K3 | Nylon carrying case for NX-220K3/320K3/K6 (Full Keypad) | 26.30 |
| KWR-1 | Water resistant bag | 29.85 |

| MICROPHONES & AUDIO ACCESSORIES | | LIST |
|--|---|-------------|
| KMC-48GPS | GPS Speaker Microphone [Intrinsically Safe Approval Accessory] | 265.00 |
| KMC-45 | MIL-SPEC, IP54/55 Speaker microphone (Built-in 2.5mm miniature earphone jack) [Intrinsically Safe Approval Accessory] | 86.00 |
| KMC-21 | Compact speaker microphone [Intrinsically Safe Approval Accessory] | 51.50 |
| KEP-2 | 2.5mm earphone kit for KMC-17/45 Speaker Mic [Intrinsically Safe Approval Accessory] | 52.50 |
| KHS-7 | Single muff headset w/boom mic [Intrinsically Safe Approval Accessory] | 70.00 |
| KHS-7A | Lt. Wt Single muff headset w/boom mic & in-line PTT [Intrinsically Safe Approval Accessory] | 105.00 |
| KHS-8BL | Two-Wire palm mic w/earphone (black) | 103.25 |
| KHS-9BL | Three-Wire lapel mic w/earphone (black) | 166.00 |
| KHS-10-BH | Hvy-duty noise reduction behind-the-headset w/noise cancelling boom mic & in-line PTT [Intrinsically Safe Approval Accessory] | 368.00 |
| KHS-10-OH | Hvy-duty noise reduction over-the-headset w/noise cancelling boom mic & in-line PTT [Intrinsically Safe Approval Accessory] | 336.00 |
| KHS-22 | Behind-the-Head Headset with flexible boom mic and in-line PTT single ear receiver (low profile wire head band) | 41.00 |
| KHS-23 | 2-Wire Cell-style Earbud Clip/PTT Palm Mic (medium duty) | 55.50 |
| KHS-25 | Headset w/ D-Ring Ear Hanger w/ PTT & Boom Mic | 24.50 |
| KHS-26 | Clip Mic w/earphone | 28.00 |
| KHS-27 | D-Ring Ear Hanger w/PTT & Mic | 24.50 |
| KHS-31 | C-Ring Ear Hanger w/PTT & Mic | 30.00 |

| SOFTWARE OPTIONS | | LIST |
|-------------------------|--|-------------|
| KPG-150AP | NEXEDGE OTAP Manager Windows Software. • License Includes 10 radios / 1 Serial Port* • To add more radios/serial ports, you must contact Kenwood Systems Division [1-800-TRUNKING] | 550.00 |
| KWD-MS10 | Stationary & Motion Detection Must Order L-1700 to activate this feature. | 60.00 |

| | |
|------------------------------------|-------------|
| SERVICE RELATED ACCESSORIES | LIST |
|------------------------------------|-------------|

| | | |
|------------|--|--------|
| KPG-141DNK | Windows® Programming Software for NX-220/320 (Compliant with FCC Part 90 Narrowbanding) | 103.25 |
| KPG-22UM | USB Programming interface cable | 158.50 |

| | |
|--------------------------------------|-------------|
| INSTALLATION / TUNING CHARGES | LIST |
|--------------------------------------|-------------|

| | | |
|--------|--|-------|
| L-836 | Assemble KMB-16 with six KSC-25/25L | 15.00 |
| L-961 | Assemble KMB-23 with six KSC-24/25/25L/32 (Rapid Rate, 120 Volt versions only) | 17.00 |
| L-1699 | NX-220/320 Programming (with basic TX/RX check) | 37.50 |
| L-1700 | NX-220/320 KWD-MS10 Activation | N/C |
| L-1732 | Configure NX-220/320 for Intrinsically Safe Must Order an I.S. Battery | 70.00 |

| | |
|--|-------------|
| MPT FIRMWARE/ACCESSORIES/TUNING | LIST |
|--|-------------|

| | | |
|-------------|--|--------|
| KPG-143DNK | Windows® Programming Software for NX series MPT (Compliant with FCC Part 90 Narrowbanding) (Dealer Level License ID included) Note: Must order L-1727 for Network Level License ID & programming privileges | 103.25 |
| KWD-NX10MPT | MPT Trunking Field Upgrade Kit for NX series radio Must order L-1729 Note: Not compatible with any other firmware options. Radio does not retain LTR trunking features once the MPT option is installed. | 66.70 |
| L-1726 | Install MPT option in NX series radio | 25.00 |
| L-1727 | Network Level License ID for KPG-143D(N) NX series Programmer | 158.33 |
| L-1728 | Retrofit Install of MPT option in NX series radio For previously purchased NX series radios. Order L-1728 through LMR order desk/rep. Ship radios to attn: Kenwood LMR Tuning, Long Beach for installation. Include Kenwood order number for L-1728 provided by order desk & copy of company P.O. or P.O. number. Note: see NX series MPT Introduction Sales Bulletin for details | 85.00 |
| L-1729 | NX Series Radio MPT Firmware FIELD-UPGRADE (Must purchase KWD-NX10MPT separately) | NC |
| L-1730 | Install KCT-57MS (for MPT Emergency Call) | 20.00 |

-- IMPORTANT NOTES --

Encryption modules, key loaders and radios containing encryption are export controlled by the U.S. Department of Commerce Bureau of Industry & Security EAR regulations and may either require an Export License, are eligible for a License Exception (ENC) or are exportable with No License Required (NLR) depending on the country, the consignee and the intended use. High level encryption is a special commodity that may require an export license to most countries. See www.bis.gov for more information regarding export regulations. DO NOT SHIP encryption items outside the U.S. without proper DOC/BIS Export Licenses and/or compliances.

Kenwood may request the following information to be submitted at time of order (this information must meet Kenwood internal approvals prior to shipment even if being returned to Kenwood later:

a) Initial Destination: Initial delivery point if different from Ultimate Destination
(customer distribution center, headquarters, dealership, manufacturer's representative)

* Business/Agency Name:

* Address:

* Contact Person Name:

* Contact Phone:

b) Ultimate Destination: Final delivery point(s); deployment/distribution

* Business/Agency Name:

* Address:

* Contact Person Name:

* Contact Phone:

c) Intended Use of Radios: Law enforcement, security, operations, etc.

KWD-AE20 AES FIPS140-2 SCM , NIST Validation & Customer Shipping

A secure delivery method direct to the end user customer is required by the NIST AES FIPS 140-2 validation rules. For U.S. Federal Government entities the SCM must ship from Kenwood USA Corporation directly to the end user customer by a trusted carrier (FEDEX, UPS or a designated Kenwood USA Corporation employee); shipping/handling by a dealer or other entity is not acceptable. This may or may not be required by local/state government agencies or business/industrial users. Please check with the end use customer about their AES encryption handling requirements before ordering. Kenwood will not be responsible for shipments of KWD-AE20K modules to erroneous destinations specified on an order.

[Table of Contents](#)

NX-240VK / 340UK

NEXEDGE® VHF/UHF Digital & FM Analog Portable Radios



All 40 series NX portables include:

- Li-ion Battery (KNB-45L)
- Fast Charger (KSC-35SK)
- Antenna [KRA-26M(VHF)/27M(UHF)]
- Belt Clip (KBH-10)
- 2-PIN Connector Cap
- Instruction Manual
- Premium Warranty: 3 Years*

* All Accessories / options: 1 Year

GENERAL FEATURES

- 5 W (136-174 MHz) VHF
- 5 W (450-520, 400-470 MHz) UHF
- Max. 16 CH per Zone
- 2 Conventional Zones
- Transmit / Busy / Call Alert / Scan / Warn LED
- 4-Color LED (Blue/Red/Green/Orange)
- On/Off Volume Knob
- 2 PF Keys
- 1.0 W Speaker Audio
- 16-Position Mechanical Selector
- Zone / CH# Voice Announcement
- KMC-48GPS Speaker Mic Option
- VOX Ready
- Emergency Call Features
- Lone Worker Alert (per CH)
- Time Out Timer
- Busy Channel Lockout
- Low Battery Warning
- Battery Saver
- KPG-170DB Windows FPU
- Wireless Cloning
- Password Protected
- MIL-STD-810 C/D/E/F/G
- IP-54/55 Water & Dust Intrusion

GENERAL FEATURES

- NXDN® Digital Air Interface
- AMBE+2™ VOCODER
- 6.25 kHz Channels
- Over-the-Air Alias (TX Only)
- Paging Call
- Emergency Call
- All Group Call
- Status Messaging
- Remote Stun/Kill
- Remote Check
- GPS Location with Voice

DIGITAL – CONVENTIONAL MODE

- 64 Radio Access Numbers (RAN)
- Individual & Group Selective Call
- Site Roaming

SCAN

- Single Zone Scan
- Single Priority Scan (Conventional)

ANALOG MODES – GENERAL

- 12.5 kHz Channels
- Conventional Zones
- FleetSync®/II, MDC-1200, DTMF
- QT/DQT/Two-Tone (Conv. Zones Only)
- Voice Inversion Scrambler (16 Codes)

FleetSync®/II

- PTT ID ANI
- Selective / Group Call
- Paging Call
- Emergency Status
- Send GPS Data

MDC-1200

- PTT ID ANI / Caller ID
- Emergency, Radio Check & Inhibit

| RADIO | | LIST |
|--------------|-------------------------------------|-------------|
| NX-240VK | 136-174 MHz VHF 5W, 16 Ch / 2 Zones | 392.00 |
| NX-340UK | 450-520 MHz UHF 5W, 16 Ch / 2 Zones | 409.00 |
| NX-340UK2 | 400-470 MHz UHF 5W, 16 Ch / 2 Zones | 409.00 |

| ANTENNAS | | LIST |
|-----------------|-------------------------------------|-------------|
| KRA-26M | VHF helical antenna 146-162 MHz | 14.00 |
| KRA-26M2 | VHF helical antenna 162-174 MHz | 14.00 |
| KRA-26M3 | VHF helical antenna 136-150 MHz | 14.00 |
| KRA-27M | UHF whip antenna 440-490 MHz | 14.00 |
| KRA-27M2 | UHF whip antenna 470-520 MHz | 14.00 |
| KRA-27M3 | UHF whip antenna 403-430 MHz | 14.00 |
| KRA-41M | VHF stubby antenna 148-162 MHz | 13.70 |
| KRA-41M2 | VHF stubby antenna 162-174 MHz | 13.70 |
| KRA-41M3 | VHF stubby antenna 136-150 MHz | 13.70 |
| KRA-42M | UHF stubby antenna 440-490 MHz | 13.70 |
| KRA-42M2 | UHF stubby antenna 470-520 MHz | 13.70 |
| KRA-42M3 | UHF stubby antenna 403-430 MHz | 13.70 |
| KRA-22M | VHF low profile antenna 148-162 MHz | 13.70 |
| KRA-22M2 | VHF low profile antenna 162-174 MHz | 13.70 |

| ANTENNAS - CONT'D | | LIST |
|--------------------------|---|-------------|
| KRA-22M3 | VHF Low-profile helical antenna 136-150 MHz | 13.70 |
| KRA-23M | UHF low profile antenna 450-490 MHz | 13.70 |
| KRA-23M2 | UHF low profile antenna 470-520 MHz | 13.70 |
| KRA-23M3 | UHF low profile antenna 403-430 MHz | 13.70 |

| BATTERIES AND CHARGERS | | LIST |
|-------------------------------|---|-------------|
| KMB-28 | Six Unit Charger Adapter for the KSC-23BK/28/35SK chargers (chargers not included) Note: The six KSC-xx AC wall Adapters are NOT used in the KMB-28 installation A supplied in-line AC-DC switching power supply with six DC plugs supply the six installed KSC-xx charger bases. This unit is lower profile and less weight than similar Kenwood six unit charger adapters. Dimensions: 10.6(W) x 2.4(H) x 9.5(D) inches, Weight: approx. 10 lbs. (loaded with chargers/radios) | 208.50 |
| KNB-45L | 2000 mAh, Li-ion battery - requires KSC-35K/SK charger | 63.00 |
| KNB-69L | 2550 mAh, Li-ion battery - requires KSC-35K/SK charger | 75.00 |
| KNB-29N | 1500 mAh, NiMH battery - requires KSC-43K charger | 36.75 |
| KSC-35SK | 110~220 volt Fast rate single unit charger for KNB-45L/69L | 31.50 |
| KSC-43K | 110~220 volt Fast rate single unit charger for KNB-29N/45L/69L | 36.70 |
| KVC-22 | 110~220 volt Fast rate DC vehicular charger adapter for KSC-35SK charger & KNB-45L Li-ion battery (charger not included) | 36.70 |

| CARRYING ACCESSORIES | | LIST |
|-----------------------------|--|-------------|
| KBH-10 | Spring action belt clip | 8.35 |
| KBH-8DS | Leather swivel belt loop with portable D-Ring attachment | 26.30 |
| KLH-6SW | Leather swivel belt loop / detachable swivel D-Ring back | 22.00 |
| KLH-187 | Nylon case for TK-*200/*202/*300/*302/*400/*402 Series | 14.70 |

| MICROPHONES & AUDIO ACCESSORIES | | LIST |
|--|---|-------------|
| KMC-45 | MIL-SPEC, IP54/55 Speaker microphone (Built-in 2.5mm miniature earphone jack) | 86.00 |
| KMC-48GPS | GPS Speaker Microphone | 265.00 |
| KEP-2 | 2.5mm earphone kit for KMC-17/45 Speaker Mic | 52.50 |
| KMC-21 | Compact speaker microphone | 51.50 |
| KEP-2 | 2.5mm earphone kit for KMC-17/45 Speaker Mic | 52.50 |
| KHS-10-BH | Hvy-duty noise reduction behind-the-headset w/noise cancelling boom mic & in-line PTT | 368.00 |
| KHS-10-OH | Hvy-duty noise reduction over-the-headset w/noise cancelling boom mic & in-line PTT | 336.00 |
| KHS-7 | Single muff headset w/boom mic | 70.00 |
| KHS-7A | Lt. Wt Single muff headset w/boom mic & in-line PTT | 105.00 |
| KHS-8BL | Two-Wire palm mic w/earphone (black) | 103.25 |
| KHS-9BL | Three-Wire lapel mic w/earphone (black) | 166.00 |
| KHS-22 | Behind-the-Head Headset with flexible boom mic and in-line PTT single ear receiver (low profile wire head band) | 41.00 |
| KHS-23 | 2-Wire Cell-style Earbud Clip/PTT Palm Mic (medium duty) | 55.50 |
| KHS-25 | Headset w/ D-Ring Ear Hanger w/ PTT & Boom Mic | 24.50 |
| KHS-26 | Clip Mic w/earphone | 28.00 |
| KHS-27 | D-Ring Ear Hanger w/PTT & Mic | 24.50 |
| KHS-31 | C-Ring Ear Hanger w/PTT & Mic | 30.00 |

| SERVICE RELATED ACCESSORIES | | LIST |
|------------------------------------|--|-------------|
| KPG-170DK | Windows® Programming Software for NX-240V/340U (Compliant with FCC Part 90 Narrowbanding) | 103.25 |
| KPG-22UM | USB Programming interface cable | 158.50 |

| INSTALLATION / TUNING CHARGES | | LIST |
|--------------------------------------|---|-------------|
| L-1767 | NX-240V/340U Programming (with basic TX/RX check) | 37.50 |

NX-410/411

NEXEDGE® 800/900 MHz Digital & FM Analog Portable Radio



410 portable includes:

- Belt Clip (KBH-11)
- Universal Connector Cap
- Instruction Manual
- Premium Warranty: 3 Years*

* All Accessories / options: 1 Year

Order packages to include Battery, Charger & Antenna, or purchase Battery, Charger, and Antenna separately.

* Approved by CSA International Inc. for Classes I, II & III, Div. 1, Groups C, D, E, F, G and are also approved for non-Incendive use in Class I, Div. 2, Groups A, B, C, D hazardous locations.

Note: Class I, Div 2 Group A & B Gases require use of a portable carrying case.

GENERAL FEATURES

- 3.0 W (806-870 MHz) Model
- 2.5 W (896-941 MHz) Model
- 512 CH-GID / 128 Zones
- 12-Key Keypad
- 14 Character Alphanumeric Aliases
- Backlit Dot Matrix LCD
- Function/Status LCD Icons
- Multi-Language Display
- Date & 12/24 Hour Time Clock
- Transmit/Busy/Call Alert/Warn LED
- On/Off Volume Knob
- 6 Front PF & Menu Keys
- 2 Side PF Keys
- Emergency/AUX Key
- 500 mW Speaker Audio
- KMC-47GPS Speaker Mic Option
- KPG-111D Windows® FPU
- Flash Firmware Upgrading
- MIL-STD-810 C/D/E/F/G
- IP54/55 Water & Dust Intrusion
- PC Serial Interface
- SDM Manual Input
- Transparent Data Mode
- VGS-1 Voice Guide/Voice & GPS Data Storage Option

DIGITAL – GENERAL

- NXDN® Digital Air Interface
- AMBE+2™ VOCODER
- 6.25 & 12.5 kHz Channels
- Over-the-Air Alias
- Over-the-Air Programming
- Paging Call
- Emergency Call
- All Group Call
- Status Messaging
- Remote Stun/Kill/Check
- Short & Long Data Messages
- GPS Location with Voice
- NXDN® Scrambler Included
- DES Encryption Module Option
- AES & DES Encryption Module Option
- AES/DES Software Key Loader Option

DIGITAL – CONVENTIONAL MODE

- 64 Radio Access Numbers (RAN)
- Individual & Group Selective Call
- Mixed FM/Digital Operation
- Conventional IP Networks
- Site Roaming

DIGITAL – TRUNKING MODE

- Individual Private Call
- Group Call & Broadcast Call
- Transmission Trunked Mode
- Message Trunked Mode
- Call Queuing with Priority
- Late Entry (UID & GID)
- 4 Priority Monitor ID's
- Remote Group Add
- Failsoft Mode

MULTI-SITE IP NETWORKS COMPATIBLE

- 60,000 GIDs / UIDs
- Wide Area Group Call
- Auto Roaming Registration
- Group Registration

MULTI-SYSTEM COMPATIBLE

- 8 Trunked Networks per radio (each in a zone)
- UID Lists for each network

SCAN

- Single Zone / Multi-Zone / List Scan
- Dual Priority Scan (Conventional)

ANALOG MODES – GENERAL

- 25** & 12.5 kHz Channels
- NPSPAC Channels**
- Conventional & LTR® Zones
- FleetSync®/II, MDC-1200, DTMF
- QT / DQT (Conventional Zones Only)
- Voice Inversion Scrambler
- Analog Scrambler Board Capability

MPT ZONES (option)

- Single-Site Trunking
- Multi-Site Network Trunking
- 8 Network Capacity
- Network Roaming / Registration

FleetSync®/II

- PTT ID ANI / Caller ID
- Selective / Group Call
- Emergency, Status & Text Messages

MDC-1200

- PTT ID ANI / Caller ID
- Emergency, Radio Check & Inhibit

** 800 MHz model only.

| PACKAGE | | LIST |
|--------------|---|----------|
| NX-410K2-LKP | 806-870MHz 3W, 14 characters Alphanumeric LCD, 6 Control Keys, Full Keypad Li-Ion Battery Package (NX-410K2 + KNB-33L + KSC-32 + KBH-11 + KRA-24M) | 1,061.75 |
| NX-411K2-LKP | 896-941MHz 2.5W, 14 characters Alphanumeric LCD, 6 Control Keys, Full Keypad Li-Ion Battery Package (NX-411K2 + KNB-33L + KSC-32 + KBH-11 + KRA-38K) | 1,060.00 |

| RADIO | | LIST |
|----------|--|--------|
| NX-410K2 | 806-870MHz 3W, 14 characters Alphanumeric LCD, 6 Control Keys, Full Keypad | 850.00 |
| NX-411K2 | 896-941MHz 2.5W, 14 characters Alphanumeric LCD, 6 Control Keys, Full Keypad | 850.00 |

CSA APPROVED I.S. MODEL **LIST**

Must Order L-1750 & an Intrinsically Safe Battery per radio

| | | |
|-------------|--|--------|
| NX-410-ISK2 | 806-870MHz 3W, 14 characters Alphanumeric LCD, 6 Control Keys, Full Key (I.S.) | 850.00 |
| NX-411-ISK2 | 896-941MHz 2.5W, 14 characters Alphanumeric LCD, 6 Control Keys, Full Key (I.S.) | 850.00 |

ANTENNAS **LIST**

| | | |
|---------|--|-------|
| KRA-24M | 800 MHz Whip Antenna 1/4 wave end feed | 36.75 |
| KRA-32K | 700/800 MHz Whip Antenna | 35.00 |
| KRA-36 | 700/800 MHz Stubby Antenna | 25.00 |
| KRA-38K | 800/900 MHz Whip Antenna | 35.00 |
| KRA-39 | 900 MHz Stubby Antenna | 25.00 |

BATTERIES AND CHARGERS **LIST**

| | | |
|-----------------|---|--------|
| KNB-54N | 2500 mAh, Ni-MH battery - requires KSC-32/326K charger | 87.50 |
| KNB-33L | 2000 mAh, Li-ion battery - requires KSC-32/326K charger | 105.00 |
| KNB-41NC-CSA-US | 2500 mAh, Ni-MH battery - requires KSC-32/326K charger [CSA Intrinsically Safe Option] | 136.50 |
| KNB-43L | 3300 mAh, Li-Polymer battery - requires KSC-32/326K charger | 163.00 |
| KNB-49PL | 4500 mAh, Primary Lithium battery Note: Non-Rechargeable (please recycle all batteries properly) 10 year Shelf Life (approx. 1% charge degradation per year when properly stored: +50 °F to +86 °F @ less than 70% humidity) | 84.00 |
| KBP-6 | AA Alkaline Refillable Battery Pack (6 AA; 9V) cells not included Note: the color of the case is orange | 68.50 |
| KSC-32 | Rapid rate single unit charger for KNB-31A/32N/33L/41NC/43L/47L/48L/50NC Note: Includes 110/220V auto-switching AC adapter with U.S.-style line cord plug; requires plug adapter for 220V Euro-style outlets (not supplied). | 70.00 |
| KSC-326K | Rapid rate 6-unit charger for KNB-31A/32N/33L/41NC/43L/47L/48L/50NC | 630.00 |
| KMB-30M | Wall Mount Bracket for KSC-326K/256K | 33.75 |
| KMB-23 | Six Unit Charger Adapter for the KSC-16/20/24/25/25L/32 chargers (chargers not included) | 191.00 |
| KVC-15 | Rapid rate DC vehicular charger adapter for the KSC-32 (chargers not included; includes KSC-mobile bracket & cigarette lighter cable DC adapter) | 119.00 |
| KVC-18 | Vehicular D.C. Charger for 180/5*10/ NX-*10 Portables with NiCd or NiMH Battery | 446.50 |
| KVC-20L | Vehicular D.C. Charger for 180/5**0/ NX Portables with Li-ion or Li Polymer Battery | 497.00 |

CARRYING ACCESSORIES **LIST**

| | | |
|-----------|--|-------|
| KBH-10 | Low profile spring action belt clip (for use with KNB-33L Only) | 8.35 |
| KBH-11 | Spring action belt clip (2.5") | 14.70 |
| KBH-8DS | Leather swivel belt loop with portable D-Ring attachment | 26.30 |
| KLH-6SW | Leather swivel belt loop / detachable swivel D-Ring back | 22.00 |
| KLH-137ST | Firemen's Heavy-Duty Leather Shoulder Strap for a Heavy-Duty Leather Case (KLH-75B/76B/78B/79B/92/122/123/133/148/154) | 36.75 |
| KLH-154K2 | Heavy duty leather carrying case for NX-210K2/410K2/411K2 Note: No belt loop flap is included. Must order KLH-6SW for belt loop. | 44.25 |
| KWR-1 | Water resistant bag | 29.85 |

MICROPHONES & AUDIO ACCESSORIES **LIST**

| | | |
|---------|---|--------|
| KMC-51M | MIL-SPEC, IP54/55 DSP Digital Noise-canceling Speaker Mic [see note 1] [Intrinsically Safe Approved Accessory] * CSA Intrinsically Safe Approved except for Group C gases | 250.00 |
| KMC-52W | MIL-SPEC, IP67 (Immersion) DSP Digital Noise-canceling Speaker Mic [see note 1] Note: Radio does not have an IP67 Immersion option; meets MIL STD810 rain standards [Intrinsically Safe Approved Accessory] * CSA Intrinsically Safe Approved except for Group C gases [note 1]: To adjust microphone settings different from factory default, download KPG-147NC configuration software and special configuration firmware from Kenwood Tools (no charge). | 300.00 |

| MICROPHONES & AUDIO ACCESSORIES - CONT'D | | LIST |
|---|--|-------------|
| KMC-47GPS | GPS Speaker Microphone [Intrinsically Safe Approved Accessory] * CSA Intrinsically Safe Approved except for Group C gases | 290.00 |
| KMC-40 | MIL-SPEC, Speaker Mic. with Antenna Connector [Intrinsically Safe Approved Accessory] Note: 5/16" Coax cable hex wrench included (antenna is not included). | 250.00 |
| KMC-41M | MIL-SPEC, IP54/55 Noise-canceling Speaker Mic [Intrinsically Safe Approved Accessory] | 96.50 |
| KMC-42WM | MIL-SPEC, IP67 (Immersion) Noise-canceling Speaker Mic [Intrinsically Safe Approved Accessory] Note: Radio does not have an IP67 Immersion option; meets MIL STD810 rain standards | 114.00 |
| KEP-1 | 3.5mm earphone kit for KMC-25/26/41M/42WM Speaker Mics [Intrinsically Safe Approved Accessory] | 52.50 |
| KCT-30 | 2.5mm Audio Accessory Adapter for KEP-3/4 [Intrinsically Safe Approved Accessory] | 64.00 |
| KCT-51 | Hirose 6-pin Adapter (adapts KVL/aftermarket audio acc. to portable connector) [Intrinsically Safe Approved Accessory] | 215.00 |
| KEP-3 | 30" Earphone kit w/ 2.5mm plug for KCT-30 [Intrinsically Safe Approved Accessory] | 51.50 |
| KEP-4 | 48" Earphone kit w/ 2.5mm plug for KCT-30 [Intrinsically Safe Approved Accessory] | 54.75 |
| KHS-11BE | 2-wire palm mic w/earphone, universal connector (Beige) [Intrinsically Safe Approved Accessory] | 156.50 |
| KHS-11BL | 2-wire palm mic w/earphone, universal connector (Black) [Intrinsically Safe Approved Accessory] | 156.50 |
| KHS-12BE | 3-wire mini lapel mic w/earphone, universal connector (Beige) [Intrinsically Safe Approved Accessory] | 184.00 |
| KHS-12BL | 3-wire mini lapel mic w/earphone, universal connector (Black) [Intrinsically Safe Approved Accessory] | 184.00 |
| KHS-14 | Lt. Wt. Single muff headset w/boom mic & In-line PTT [Intrinsically Safe Approved Accessory] | 126.00 |
| KHS-15-BH | Hvy-duty noise reduction behind-the-headset w/noise cancelling boom mic & in-line PTT [Intrinsically Safe Approved Accessory] | 420.00 |
| KHS-15-OH | Hvy-duty noise reduction over-the-headset w/noise cancelling boom mic & in-line PTT [Intrinsically Safe Approved Accessory] | 368.00 |

| SOFTWARE OPTIONS | | LIST |
|-------------------------|---|-------------|
| KPG-150AP | NEXEDGE OTAP Manager Windows Software. • License Includes 10 radios / 1 Serial Port* • To add more radios/serial ports, you must contact Kenwood Systems Division [1-800-TRUNKING] | 550.00 |
| KPG-151AE | AES/DES Encryption Software Key Loader for KWD-DE21K/KWD-AE21K Note: KPG-151AE is a U.S. DOC/BIS Export Controlled Item (ECCN 5D002A) - See IMPORTANT NOTES - | 525.00 |

| OPTION MODULES | | LIST |
|-----------------------|---|-------------|
| KWD-AE20K | AES FIPS140-2 & DES Encryption Module for TK-5*10/5*20 & NX-*00/*10 Portables & Mobiles (except K7 Portable) [Intrinsically Safe Approved] - Order a Labor Code L-1723 if installation is required. KWD-AE20K requires: a Motorola KVL3000 Plus key loader device. KWD-AE20K is an U.S. DOC/BIS Export Controlled Item (ECCN 5A002A.1) - See IMPORTANT NOTES - | 998.00 |
| KWD-AE21K | AES & DES Encryption Module for TK-5*10/5*20 & NX-*00/*10 Portables & Mobiles (except K7 Portable) [Intrinsically Safe Approved] - Order a Labor Code (L-1724) if installation is required. Note: Requires KPG-151AE software key loader or Motorola KVL3000 Plus key loader device. KWD-AE21K is an U.S. DOC/BIS Export Controlled Item (ECCN 5A002A.1) - See IMPORTANT NOTES - | 998.00 |

| OPTION MODULES - CONT'D | | LIST |
|--------------------------------|---|-------------|
| KWD-DE21K | DES Encryption Module for TK-5*10/5*20 & NX-*00/*10 Portables & Mobiles [Intrinsically Safe Approved] - Order a Labor Code (L-1725) if installation is required Note: Requires KPG-151AE software key loader or Motorola KVL3000 Plus key loader device. KWD-DE21K is a U.S. DOC/BIS Export Controlled Item (ECCN 5A992A) - See IMPORTANT NOTES - | 578.00 |
| KCT-48VU | External Vibration Unit [Intrinsically Safe Approved Accessory] Note: Audio accessories cannot be used when this option installed. | 49.00 |
| KCT-57MS | Man-Down Internal Tilt Switch (Non-Mercury) [Intrinsically Safe Approved Accessory]- Must be Kenwood installed for I.S. | 22.00 |
| VGS-1 | Voice Guide and Storage Unit [Intrinsically Safe Approved Accessory] | 87.50 |

| SERVICE RELATED ACCESSORIES | | LIST |
|------------------------------------|--|-------------|
| KPG-111DNK | Windows® Programming Software for NX-200/210/300/410/411/700/800/900/901 (Compliant with FCC Part 90 Narrowbanding) | 103.25 |
| KPG-36UM | USB Programming interface cable | 158.50 |

| INSTALLATION / TUNING CHARGES | | LIST |
|--------------------------------------|---|-------------|
| L-961 | Assemble KMB-23 with six KSC-32K's (Rapid Rate, 120 Volt version only) | 17.00 |
| L-1667 | Install VGS-1 Voice Guide & Storage Unit in NX-210/410/411 | 25.00 |
| L-1671 | NX-210/410/411 Portable KCT-57MS Installation (for NXDN® / FleetSync®) | 20.00 |
| L-1691 | NX-410/411 Programming (with basic TX/RX check) | 37.50 |
| L-1723 | Install KWD-AE20K in NX-210/410/411 Portables (Must purchase module separately) | 75.00 |
| L-1724 | Install KWD-AE21K in NX-210/410/411 Portables (Must purchase module separately) | 75.00 |
| L-1725 | Install KWD-DE21K in NX-210/410/411 Portables (Must purchase module separately) | 75.00 |
| L-1750 | Configure NX-210/410/411 for Intrinsically Safe Must order an I.S. battery, KNB-41NC-CSA-US | 70.00 |

| MPT FIRMWARE/ACCESSORIES/TUNING | | LIST |
|--|--|-------------|
| KPG-143DNK | Windows® Programming Software for NX series MPT (Compliant with FCC Part 90 Narrowbanding) (Dealer Level License ID included) Note: Must order L-1727 for Network Level License ID & programming privileges | 103.25 |
| KWD-NX10MPT | MPT Trunking Field Upgrade Kit for NX series radio Must order L-1729 Note: Not compatible with any other firmware options. Radio does not retain LTR trunking features once the MPT option is installed. | 66.70 |
| L-1726 | Install MPT option in NX series radio | 25.00 |
| L-1727 | Network Level License ID for KPG-143D(N) NX series Programmer | 158.33 |
| L-1728 | Retrofit Install of MPT option in NX series radio For previously purchased NX series radios. Order L-1728 through LMR order desk/rep. Ship radios to attn: Kenwood LMR Tuning, Long Beach for installation. Include Kenwood order number for L-1728 provided by order desk & copy of company P.O. or P.O. number. Note: see NX series MPT Introduction Sales Bulletin for details | 85.00 |
| L-1729 | NX Series Radio MPT Firmware FIELD-UPGRADE (Must purchase KWD-NX10MPT separately) | NC |
| L-1730 | Install KCT-57MS (for MPT Emergency Call) | 20.00 |

-- IMPORTANT NOTES --

Encryption modules, key loaders and radios containing encryption are export controlled by the U.S. Department of Commerce Bureau of Industry & Security EAR regulations and may either require an Export License, are eligible for a License Exception (ENC) or are exportable with No License Required (NLR) depending on the country, the consignee and the intended use. High level encryption is a special commodity that may require an export license to most countries. See www.bis.gov for more information regarding export regulations. DO NOT SHIP encryption items outside the U.S. without proper DOC/BIS Export Licenses and/or compliances.

Kenwood may request the following information to be submitted at time of order (this information must meet Kenwood internal approvals prior to shipment even if being returned to Kenwood later:

a) Initial Destination: Initial delivery point if different from Ultimate Destination (customer distribution center, headquarters, dealership, manufacturer's representative)

* Business/Agency Name:

* Address:

* Contact Person Name:

* Contact Phone:

b) Ultimate Destination: Final delivery point(s); deployment/distribution

* Business/Agency Name:

* Address:

* Contact Person Name:

* Contact Phone:

c) Intended Use of Radios: Law enforcement, security, operations, etc.

KWD-AE20 AES FIPS140-2 SCM , NIST Validation & Customer Shipping

A secure delivery method direct to the end user customer is required by the NIST AES FIPS 140-2 validation rules. For U.S. Federal Government entities the SCM must ship from Kenwood USA Corporation directly to the end user customer by a trusted carrier (FEDEX, UPS or a designated Kenwood USA Corporation employee); shipping/handling by a dealer or other entity is not acceptable. This may or may not be required by local/state government agencies or business/industrial users. Please check with the end use customer about their AES encryption handling requirements before ordering. Kenwood will not be responsible for shipments of KWD-AE20K modules to erroneous destinations specified on an order.

NX- 420
NEXEDGE® 800MHz Digital & Analog Portable Radio



All 420 series NX portables include:

- Belt Clip (KBH-12)
- Antenna (KRA-38K)
- 2-PIN Connector Cap
- Instruction Manual
- Premium Warranty: 3 Years*

* All Accessories / options: 1 Year

Order packages to include Battery, & Charger, or purchase Battery, & Charger separately.

--- Must Order **L-1732**
for Intrinsically Safe Option ---
* Approved for Classes I, II & III,
Div. 1, Groups C, D, E, F, G
and are also approved for
non-Incendive use in Classes I, II & III
Div. 2, Groups A, B, C, D, F, G
hazardous locations.

GENERAL FEATURES

- 3.0 W (806 - 870 MHz)
- 260 CH-GID / 128 Zones
- 4 Front PF Keys, 12-Key Keypad
- 8 Character Alphanumeric Aliases
- Backlit LCD & Keys
- Function / Status LCD Icons
- Transmit / Busy / Call Alert / Warn LED
- On / Off Volume Knob
- 16-Position Selector
- 3 Side PF Keys
- Emergency / AUX Key
- Built-in Motion Sensor
- 500 mW Speaker Audio
- Zone / CH# Voice Announcement
- KMC-48GPS Speaker Mic Option
- KPG-141D/DN Windows® FPU
- Flash Firmware Upgrading
- MIL-STD-810 C/D/E/F/G
- IP54/55 Dust & Water Intrusion
- PC Serial Interface
- SDM Manual Input
- Transparent Data Mode

DIGITAL – GENERAL

- NXDN® Digital Air Interface
- AMBE+2™ VOCODER
- 6.25 & 12.5 kHz Channels
- Over-the-Air Alias
- Over-the-Air Programming
- Paging Call
- Emergency Call
- All Group Call
- Status Messaging
- Remote Stun / Kill/Check
- Short & Long Data Messages
- GPS Location with Voice
- NXDN® Scrambler Included

DIGITAL – CONVENTIONAL MODE

- 64 Radio Access Numbers (RAN)
- Individual & Group Selective Call
- Mixed FM / Digital Operation
- Conventional IP Networks
- Site Roaming

DIGITAL – TRUNKING MODE

- Individual Private Call
- Group Call & Broadcast Call
- Telephone Interconnect
- Transmission Trunked Mode
- Message Trunked Mode
- Call Queuing with Priority
- Late Entry (UID & GID)
- 4 Priority Monitor ID's
- Remote Re-Grouping
- Failsafe Mode

MULTI-SITE IP NETWORKS COMPATIBLE

- 60,000 GIDs / UIDs
- Wide Area Group Call
- Auto Roaming Registration
- Group Registration

MULTI-SYSTEM COMPATIBLE

- 8 Trunked Networks per radio (each in a zone)
- UID Lists for each network

SCAN

- Single Zone / Multi-Zone / List Scan
- Single Priority Scan (Conventional)

ANALOG MODES – GENERAL

- 25 & 12.5 kHz Channels
- NPSAP Channels
- Conventional & LTR® Zones
- FleetSync® / II, MDC-1200, DTMF
- QT / DQT (Conventional Zones only)
- Voice Inversion Scrambler (16 Codes)

MPT ZONES (option)

- Single-Site Trunking
- Multi-Site Network Trunking
- 8 Network Capacity
- Network Roaming / Registration

FleetSync®/II

- PTT ID ANI / Caller ID
- Selective / Group Call
- Emergency, Status & Text Messages

MDC-1200

- PTT ID ANI / Caller ID
- Emergency, Radio Check & Inhibit

| Li-ion VALUE PACKAGES | | LIST |
|------------------------------|---|-------------|
| NX-420K3-SLKP | Li-ion Value Pack (NX-420K3 + KNB-55L + KSC-25L) | 658.30 |
| NX-420K3-LKVP | Hi-Cap Li-ion Value Pack (NX-420K3 + KNB-57L + KSC-25L) | 696.30 |

| PACKAGES | | LIST |
|-----------------|---|-------------|
| NX-420K3-SLKP | Standard Slim Package (NX-420K3 + KNB-55L + KSC-25) | 672.00 |
| NX-420K3-LKP | Premium Package (NX-420K3 + KNB-57L + KSC-25) | 710.00 |

| RADIO | | LIST |
|--------------|---|-------------|
| NX-420K3 | 806 - 870 MHz 3W, 260 CH, 8 characters Alphanumeric LCD, 4 PF Keys, Full Keypad | 550.00 |

SGS US I.S. APPROVED MODELS **LIST**

Must Order L-1732 & an Intrinsically Safe Battery per radio

| | | |
|-------------|---|--------|
| NX-420-ISK3 | 806 - 870 MHz 3W, 260 CH, 8 characters Alphanumeric LCD, 4 PF Keys, Full Keypad | 550.00 |
|-------------|---|--------|

ANTENNAS **LIST**

| | | |
|---------|--|-------|
| KRA-24M | 800 MHz Whip Antenna 1/4 wave end feed | 36.75 |
| KRA-32K | 700/800 MHz Whip Antenna | 35.00 |
| KRA-36 | 700/800 MHz Stubby Antenna | 25.00 |
| KRA-38K | 800/900 MHz Whip Antenna | 35.00 |

BATTERIES AND CHARGERS **LIST**

| | | |
|-----------|---|--------|
| KBP-5 | AA Alkaline Refillable Battery Pack (6 AA; 9V) cells not included | 49.00 |
| KMB-16 | Six Unit Charger Adapter for the KSC-16/20/24/25/25L/30 chargers (chargers not included) | 173.00 |
| KMB-23 | Six Unit Charger Adapter for the KSC-16/20/24/25/25L/32 chargers (chargers not included) | 191.00 |
| KMB-30M | Wall Mount Bracket for KSC-326K/256K | 33.75 |
| KNB-40LCV | 1950 mAh, Li-ion battery - requires KSC-25/25L/256K charger [Intrinsically Safe Option] | 112.00 |
| KNB-55L | 1480 mAh, Li-ion battery - requires KSC-25/25L/256K charger | 60.00 |
| KNB-56N | 1400 mAh, Ni-MH battery | 65.00 |
| KNB-57L | 2000 mAh, Li-ion battery - requires KSC-25/25L/256K charger | 98.00 |
| KSC-25 | 110 volt Rapid rate single unit charger for KNB-25A/26N/35L/40LC(V)/55L/56N/57L | 62.00 |
| KSC-256K | Rapid rate 6-Unit charger for KNB-25A/26N/35L/40LC(V)/55L/56N/57L | 630.00 |
| KSC-25L | 100~240 volt rapid rate single unit charger for KNB-35L/40LC(V)/55L/57L Li-ion Battery | 48.30 |
| KSC-30 | 110 volt Regular rate single unit charger for KNB-25A/26N/56N | 31.50 |
| KVC-4 | Vehicular charger adapter for the KSC-16/18/20/24/25 chargers (chargers not included) | 84.00 |

CARRYING ACCESSORIES **LIST**

| | | |
|-----------|--|-------|
| KBH-12 | Spring action belt clip | 8.35 |
| KBH-13DS | Leather swivel belt loop with portable D-Ring attachment | 28.85 |
| KLH-179K3 | Heavy-Duty Leather Case w/Swivel Belt Loop for NX-220K3/320K3/K6/420K3 (Full Keypad) | 49.00 |
| KLH-180K3 | Nylon carrying case for NX-220K3/320K3/K6/420K3 (Full Keypad) | 26.30 |
| KWR-1 | Water resistant bag | 29.85 |

MICROPHONES & AUDIO ACCESSORIES **LIST**

| | | |
|-----------|---|--------|
| KMC-48GPS | GPS Speaker Microphone [Intrinsically Safe Approval Accessory] | 265.00 |
| KMC-45 | MIL-SPEC, IP54/55 Speaker microphone (Built-in 2.5mm miniature earphone jack) [Intrinsically Safe Approval Accessory] | 86.00 |
| KMC-21 | Compact speaker microphone [Intrinsically Safe Approval Accessory] | 51.50 |
| KEP-2 | 2.5mm earphone kit for KMC-17/45 Speaker Mic [Intrinsically Safe Approval Accessory] | 52.50 |
| KHS-7 | Single muff headset w/boom mic [Intrinsically Safe Approval Accessory] | 70.00 |
| KHS-7A | Lt. Wt Single muff headset w/boom mic & in-line PTT [Intrinsically Safe Approval Accessory] | 105.00 |
| KHS-8BL | Two-Wire palm mic w/earphone (black) | 103.25 |
| KHS-9BL | Three-Wire lapel mic w/earphone (black) | 166.00 |

| MICROPHONES & AUDIO ACCESSORIES - CONT'D | | LIST |
|---|---|-------------|
| KHS-10-BH | Hvy-duty noise reduction behind-the-headset w/noise cancelling boom mic & in-line PTT [Intrinsically Safe Approval Accessory] | 368.00 |
| KHS-10-OH | Hvy-duty noise reduction over-the-headset w/noise cancelling boom mic & in-line PTT [Intrinsically Safe Approval Accessory] | 336.00 |
| KHS-22 | Behind-the-Head Headset with flexible boom mic and in-line PTT single ear receiver (low profile wire head band) | 41.00 |
| KHS-23 | 2-Wire Cell-style Earbud Clip/PTT Palm Mic (medium duty) | 55.50 |
| KHS-25 | Headset w/ D-Ring Ear Hanger w/ PTT & Boom Mic | 24.50 |
| KHS-26 | Clip Mic w/earphone | 28.00 |
| KHS-27 | D-Ring Ear Hanger w/PTT & Mic | 24.50 |
| KHS-31 | C-Ring Ear Hanger w/PTT & Mic | 30.00 |

| SOFTWARE OPTIONS | | LIST |
|-------------------------|--|-------------|
| KPG-150AP | NEXEDGE OTAP Manager Windows Software. • License Includes 10 radios / 1 Serial Port* • To add more radios/serial ports, you must contact Kenwood Systems Division [1-800-TRUNKING] | 550.00 |
| KWD-MS10 | Stationary & Motion Detection Must Order L-1700 to activate this feature. | 60.00 |

| SERVICE RELATED ACCESSORIES | | LIST |
|------------------------------------|--|-------------|
| KPG-141DNK | Windows® Programming Software for NX-220/320/420 (Compliant with FCC Part 90 Narrowbanding) | 103.25 |
| KPG-22UM | USB Programming interface cable | 158.50 |

| INSTALLATION / TUNING CHARGES | | LIST |
|--------------------------------------|--|-------------|
| L-836 | Assemble KMB-16 with six KSC-25/25L | 15.00 |
| L-961 | Assemble KMB-23 with six KSC-24/25/25L/32 (Rapid Rate, 120 Volt versions only) | 17.00 |
| L-1699 | NX-220/320/420 Programming (with basic TX/RX check) | 37.50 |
| L-1700 | NX-220/320/420 KWD-MS10 Activation | N/C |
| L-1732 | Configure NX-220/320/420 for Intrinsically Safe Must Order an I.S. Battery | 70.00 |

| MPT FIRMWARE/ACCESSORIES/TUNING | | LIST |
|--|--|-------------|
| KPG-143DNK | Windows® Programming Software for NX series MPT (Compliant with FCC Part 90 Narrowbanding) (Dealer Level License ID included) Note: Must order L-1727 for Network Level License ID & programming privileges | 103.25 |
| KWD-NX10MPT | MPT Trunking Field Upgrade Kit for NX series radio Must order L-1729 Note: Not compatible with any other firmware options. Radio does not retain LTR trunking features once the MPT option is installed. | 66.70 |
| L-1726 | Install MPT option in NX series radio | 25.00 |
| L-1727 | Network Level License ID for KPG-143D(N) NX series Programmer | 158.33 |
| L-1728 | Retrofit Install of MPT option in NX series radio For previously purchased NX series radios. Order L-1728 through LMR order desk/rep. Ship radios to attn: Kenwood LMR Tuning, Long Beach for installation. Include Kenwood order number for L-1728 provided by order desk & copy of company P.O. or P.O. number. Note: see NX series MPT Introduction Sales Bulletin for details | 85.00 |
| L-1729 | NX Series Radio MPT Firmware FIELD-UPGRADE (Must purchase KWD-NX10MPT separately) | NC |
| L-1730 | Install KCT-57MS (for MPT Emergency Call) | 20.00 |

-- IMPORTANT NOTES --

Encryption modules, key loaders and radios containing encryption are export controlled by the U.S. Department of Commerce Bureau of Industry & Security EAR regulations and may either require an Export License, are eligible for a License Exception (ENC) or are exportable with No License Required (NLR) depending on the country, the consignee and the intended use. High level encryption is a special commodity that may require an export license to most countries. See www.bis.gov for more information regarding export regulations. DO NOT SHIP encryption items outside the U.S. without proper DOC/BIS Export Licenses and/or compliances.

Kenwood may request the following information to be submitted at time of order (this information must meet Kenwood internal approvals prior to shipment even if being returned to Kenwood later:

a) Initial Destination: Initial delivery point if different from Ultimate Destination (customer distribution center, headquarters, dealership, manufacturer's representative)

* Business/Agency Name:

* Address:

* Contact Person Name:

* Contact Phone:

b) Ultimate Destination: Final delivery point(s); deployment/distribution

* Business/Agency Name:

* Address:

* Contact Person Name:

* Contact Phone:

c) Intended Use of Radios: Law enforcement, security, operations, etc.

KWD-AE20 AES FIPS140-2 SCM , NIST Validation & Customer Shipping

A secure delivery method direct to the end user customer is required by the NIST AES FIPS 140-2 validation rules. For U.S. Federal Government entities the SCM must ship from Kenwood USA Corporation directly to the end user customer by a trusted carrier (FEDEX, UPS or a designated Kenwood USA Corporation employee); shipping/handling by a dealer or other entity is not acceptable. This may or may not be required by local/state government agencies or business/industrial users. Please check with the end use customer about their AES encryption handling requirements before ordering. Kenwood will not be responsible for shipments of KWD-AE20K modules to erroneous destinations specified on an order.

[Table of Contents](#)

TK-190
Low Band VHF Portable Radio



190 series portables include:

- Belt Clip
- Universal Connector Cap
- Instruction Manual
- Channel Selector
- Mechanical stop & dressing plate
- Standard Warranty: 2 Years*

* All Accessories / options: 1 Year

*Purchase Battery, Charger
 & Antenna, Separately*

GENERAL FEATURES

- 6 W (29.7-37.0, 35.0-50.0 MHz)
- 16 Channels
- QT / DQT
- Priority Scan
- 7-Character Alphanumeric Aliases
- Lighted 13-Segment LCD
- Inverting LCD Display
- 3-Digit Sub-Display
- Function / Status LCD Icons
- Transmit / Busy / Call Alert / Warn LED
- 2 Top Panel PF keys
- 2 Side PF Keys
- Orange Emergency / AUX Key (side)
- 2-Position PF Toggle Switch (top)
- 500 mW Speaker Audio
- Encryption / ANI Board Control
- Emergency Call Features
- Emergency Man-Down Option

- Two-Tone Decode
- Operator Selectable Tone
- DTMF Encode / Decode
- Time Out Timer
- Busy Channel Lockout
- Low Battery Alert
- Battery Saver
- Weather-sealed ACC Connector
- MIL-Spec Speaker Mic Options
- Windows® Programming & Tuning
- Windows® Firmware Uploading
- Front Panel Test / Tune
- Cloning
- MIL-STD-810 C/D/E/G
- MIL-STD "Driven-Rain"

| RADIO | | LIST |
|--------------|--|-------------|
| TK-190K | VHF Low Band 29.7 – 37.0 MHz 6W, 16 Channels | 674.00 |
| TK-190K2 | VHF Low Band 35.0 – 50.0 MHz 6W, 16 Channels | 674.00 |

Important Notice:
 If this transceiver is programmed for more than one channel, the transmit frequencies must be within a 500 kHz range.
 The physical condition of the antenna may affect the radio's performance. If the original KRA-21 antenna is worn, bent or damaged, immediately have your Kenwood authorized dealer replace the antenna with a new, properly adjusted KRA-21 antenna. Failure to follow these instructions may cause poor performance, damage to your transceiver, and may also place excess transmitter energy on the metal portions of your radio, which could make the transceiver uncomfortable to handle when transmitting. When transmitting, if your hand feels uncomfortable, contact your Kenwood dealer for a transceiver inspection, and possible antenna replacement.

| ANTENNA | | LIST |
|----------------|--|-------------|
| KRA-21 | Tunable VHF Low Band helical antenna 29.7-50MHz. Note: Antenna band width is 1 MHz Caution: the TK-190 antenna must be cut per the antennas cutting chart and instructions. Failure to do so will result in a poorly matched antenna, poor performance and most probably excessive and damage in the transmitters final power amplifier circuit. | 42.00 |

| BATTERIES AND CHARGERS | | LIST |
|-------------------------------|--|-------------|
| KNB-22N | 2100 mAh, Ni-MH battery - requires KSC-24 charger | 73.50 |
| KNB-51NC | 2100 mAh, Ni-MH battery - requires KSC-24 charger [Intrinsically Safe Approved Accessory] | 114.00 |
| KNB-52N | 1400 mAh, Ni-MH battery | 67.00 |
| KBP-4 | AA Alkaline Refillable Battery Pack (12 AA; 9V) cells not included | 43.00 |
| KSC-19 | 110 volt Regular rate single unit desk charger for KNB-16/17A/17B/52N | 36.75 |
| KSC-24 | 110 volt Rapid rate single unit charger for KNB-14/15/16/17A/17B/20N/21N/22N/22NC/52N | 62.00 |
| KMB-16 | Six Unit Charger Adapter for the KSC-16/20/24/25/25L/30 chargers (chargers not included) | 173.00 |
| KMB-23 | Six Unit Charger Adapter for the KSC-16/20/24/25/25L/32 chargers (chargers not included) | 191.00 |
| KVC-3 | Vehicular charger adapter for the KSC-15/17/19/25L/30 chargers (chargers not included) | 63.00 |
| KVC-4 | Vehicular charger adapter for the KSC-16/18/20/24/25 chargers (chargers not included) | 84.00 |

| CARRYING ACCESSORIES | | LIST |
|-----------------------------|--|-------------|
| KBH-10 | Spring action belt clip | 8.35 |
| KBH-8DS | Leather swivel belt loop with portable D-Ring attachment | 26.30 |
| KLH-6SW | Leather swivel belt loop / detachable swivel D-Ring back | 22.00 |
| KLH-78B | Heavy duty leather carrying case for TK-190/290/390/5400 (Non DTMF keypad models) | 44.25 |
| KLH-88 | Cordura Nylon carrying case for TK-190/290/390/5400 (Non DTMF keypad models) | 26.30 |
| KLH-137ST | Firemen's Heavy-Duty Leather Shoulder Strap for a Heavy-Duty Leather Case (KLH-75B/76B/78B/79B//92/122/123/133/148/154) | 36.75 |
| KLH-141 | Extra Heavy-Duty Cordura Nylon carrying case for TK-190/290/390 (all battery packs; no keypad access) | 34.75 |

| MICROPHONES & AUDIO ACCESSORIES | | LIST |
|--|---|-------------|
| KEP-1 | 3.5mm earphone kit for KMC-25/26/41M/42WM Speaker Mics [Intrinsically Safe Approved Accessory] | 52.50 |
| KCT-30 | 2.5mm Audio Accessory Adapter for KEP-3/4 [Intrinsically Safe Approved Accessory] | 64.00 |
| KEP-3 | 30" Earphone kit w/ 2.5mm plug for KCT-30 [Intrinsically Safe Approved Accessory] | 51.50 |
| KEP-4 | 48" Earphone kit w/ 2.5mm plug for KCT-30 [Intrinsically Safe Approved Accessory] | 54.75 |
| KMC-25A | MIL-SPEC, Noise canceling Speaker mic [Intrinsically Safe Approved Accessory] Note: KMC-25 is not compatible with the TK-190 due to the effects of RF on it at low band frequencies; the KMC-25A is the compatible model. The KMC-26 Speaker microphone with antenna connector CANNOT be used due to the inadequate ground plane properties on a speaker microphone at low band frequencies (the TK-190 does not have an RF pin on its accessory connector). | 96.50 |
| KHS-11BE | 2-wire palm mic w/earphone, universal connector (Beige) [Intrinsically Safe Approved Accessory] | 156.50 |
| KHS-11BL | 2-wire palm mic w/earphone, universal connector (Black) [Intrinsically Safe Approved Accessory] | 156.50 |
| KHS-12BE | 3-wire mini lapel mic w/earphone, universal connector (Beige) [Intrinsically Safe Approved Accessory] | 184.00 |
| KHS-12BL | 3-wire mini lapel mic w/earphone, universal connector (Black) [Intrinsically Safe Approved Accessory] | 184.00 |
| KHS-14 | Lt. Wt. Single muff headset w/boom mic & In-line PTT [Intrinsically Safe Approved Accessory] | 126.00 |
| KHS-15-BH | Hvy-duty noise reduction behind-the-headset w/noise cancelling boom mic & in-line PTT [Intrinsically Safe Approved Accessory] | 420.00 |
| KHS-15-OH | Hvy-duty noise reduction over-the-headset w/noise cancelling boom mic & in-line PTT [Intrinsically Safe Approved Accessory] | 368.00 |

| OPTION MODULES | | LIST |
|-----------------------|---|-------------|
| KCT-57MS | Man-Down Internal Tilt Switch (Non-Mercury) [Intrinsically Safe Approved Accessory] - Must be Kenwood installed for I.S. Order L-1618 for FleetSync® operations | 22.00 |

| SERVICE RELATED ACCESSORIES | | LIST |
|------------------------------------|---|-------------|
| KPG-36UM | USB Programming interface cable | 158.50 |
| KPG-59DK | Windows® Program Software for TK-190/6110 (Version 2.00) | 68.50 |
| ***** | Contact Kenwood Parts for Price and Availability 800-367-7514 on the following: | |
| E30-3325-05 | Portable-to-Portable Cloning cable (For TK-190/290/390/480/481 Only) | --- |

| INSTALLATION / TUNING CHARGES | | LIST |
|--------------------------------------|---|-------------|
| L-836 | Assemble KMB-16 with six KSC-20's/24's | 15.00 |
| L-837 | Install KNB-21N/22N/22NC/51NC/52N battery | 0.00 |
| L-870 | Simultaneous transpond and alert feature up-grade for 90-series mobiles & portables | 50.00 |
| L-911 | TK-190/TK-6110 Programming (with basic TX/RX check) | 25.00 |
| L-914 | Cut KRA-21 Low Band Antenna | 10.00 |
| L-961 | Assemble KMB-23 with six KSC-32K's (Rapid Rate, 120 Volt version only) | 17.00 |
| L-1060 | 80/90 PORTABLE KCT-57MS INSTALLATION (FOR FLEETSYNC) | 20.00 |

TK-290 / 390
VHF / UHF FM Transceivers



GENERAL FEATURES

- 5 W (136-174 MHz)
- 4 W (450-490 MHz)
- 160 Channels / 16 Channel Groups
- QT / DQT
- Dual Priority Scan
- Single & Multi-Group Scan
- 7-Character Alphanumeric Aliases
- Lighted 13-Segment LCD
- Inverting LCD Display
- 3-Digit Sub-Display
- Function / Status LCD Icons
- Transmit / Busy / Call Alert / Warn LED
- 2 Top Panel PF keys
- 2 Side PF Keys
- Orange Emergency / AUX Key (side)
- 2-Position PF Toggle Switch (top)
- 12-Key DTMF Keypad Models
- 500 mW Speaker Audio
- Companded Audio
- Encryption / ANI Board Control
- Emergency Call Features
- Emergency Man-Down Option

- Two-Tone Decode
- Operator Selectable Tone
- DTMF Encode / Decode
- Time Out Timer
- Busy Channel Lockout
- Low Battery Alert
- Battery Saver
- Weather-sealed ACC Connector
- MIL-Spec Speaker Mic Options
- Windows® Programming & Tuning
- Windows® Firmware Uploading
- Front Panel Test / Tune
- Cloning
- MIL-STD-810 C/D/E/F/G
- MIL-STD "Driven-Rain"
- MSHA Mine Safety Option**
- PA Bureau of Mine Safety Option***

FleetSync®

- PTT ID Digital ANI
- Emergency Status

All 90 series portables include:

- Belt Clip
- Universal Connector Cap
- Instruction Manual
- Channel Selector
- Mechanical stop & dressing plate
- Standard Warranty: 2 Years*

* All Accessories / options: 1 Year

*Purchase Battery, Charger
& Antenna Separately*

--- Must Order **L-102Z** for MSHA Intrinsically Safe option ---

**** MSHA Intrinsically Safe Models:** Under U.S. CFR Title 30 Part 23, APPROVAL No. 23-A060002, the TK-290/390 portable radios*** (with or without keypad models) are approved intrinsically safe for use in methane-air mixtures only with only the Kenwood 7.2V KNB-51NC battery pack and the MSHA-certified listed options/accessories. The battery pack should only be charged in fresh air

*** TK-290K/K2 & TK-390K/K4 Only (TK-390K2/K3/K6 are not MSHA approved)

--- PA Bureau of Mine Safety option is also **available through the LMR order desk** ---

***** PA Mines Intrinsically Safe Models:** Under U.S. CFR Title 30 Part 23, APPROVAL No. 23-A060002, the TK-290/390 portable radios*** (with or without keypad models) are approved intrinsically safe for use in bituminous underground coal mines only with only the Kenwood 7.2V KNB-51NC battery pack and the MSHA-certified listed options/accessories. The battery pack should only be charged in fresh air

*** TK-290K/K2 & TK-390K/K4 Only (TK-390K2/K3/K6 are not Commonwealth of PA approved)

| RADIO | | LIST |
|--------------|---|-------------|
| TK-290K | 136-174 MHz 5W, 160 Ch. w/dual priority scan [MSHA Intrinsically Safe Option] | 788.00 |
| TK-290K2 | 136-174 MHz 5W, 160 Ch. w/dual priority scan, w/DTMF keypad [MSHA Intrinsically Safe Option] | 840.00 |
| TK-390K | 450-490 MHz 4W, 160 Ch. w/dual priority scan [MSHA Intrinsically Safe Option] | 840.00 |
| TK-390K4 | 450-490 MHz 4W, 160 Ch. w/dual priority scan, w/DTMF keypad [MSHA Intrinsically Safe Option] | 893.00 |

| ANTENNAS | | LIST |
|-----------------|---------------------------------|-------------|
| KRA-14M | VHF helical antenna 148-162 MHz | 17.80 |
| KRA-14M2 | VHF helical antenna 162-174 MHz | 17.80 |
| KRA-14M3 | VHF helical antenna 136-150 MHz | 17.80 |
| KRA-15AM | UHF whip antenna 450-490 MHz | 17.80 |
| KRA-15AM2 | UHF whip antenna 470-512 MHz | 17.80 |
| KRA-15AM3 | UHF whip antenna 403-430 MHz | 17.80 |

| ANTENNAS - CONT'D | | LIST |
|--------------------------|---|-------------|
| KRA-16M | VHF stubby antenna 148-162 MHz | 13.70 |
| KRA-16M2 | VHF stubby antenna 162-174 MHz | 13.70 |
| KRA-16M3 | VHF stubby antenna 136-150 MHz | 13.70 |
| KRA-17M | UHF stubby antenna 450-490 MHz | 13.70 |
| KRA-17M2 | UHF stubby antenna 470-512 MHz | 13.70 |
| KRA-17M3 | UHF stubby antenna 403-430 MHz | 13.70 |
| KRA-22M | VHF short helical antenna 148-162 MHz | 13.70 |
| KRA-22M2 | VHF short helical antenna 162-174 MHz | 13.70 |
| KRA-22M3 | VHF short helical antenna 136-150 MHz | 13.70 |
| KRA-23M | UHF short whip antenna 450-490 MHz | 13.70 |
| KRA-23M2 | UHF short whip antenna 470-512 MHz | 13.70 |
| KRA-23M3 | UHF short whip antenna 403-430 MHz | 13.70 |
| KRA-26M | VHF helical antenna 146-162 MHz | 14.00 |
| KRA-26M2 | VHF helical antenna 162-174 MHz | 14.00 |
| KRA-26M3 | VHF helical antenna 136-150 MHz | 14.00 |
| KRA-27M | UHF whip antenna 440-490 MHz | 14.00 |
| KRA-27M2 | UHF whip antenna 470-520 MHz | 14.00 |
| KRA-27M3 | UHF whip antenna 400-450 MHz | 14.00 |
| KRA-25 | High gain VHF helically loaded whip antenna 148-162 MHz | 34.25 |

| BATTERIES AND CHARGERS | | LIST |
|-------------------------------|---|-------------|
| KNB-22N | 2100 mAh, Ni-MH battery - requires KSC-24 charger | 73.50 |
| KNB-51NC | 2100 mAh, Ni-MH battery - requires KSC-24 charger [Intrinsically Safe Approved Accessory] [MSHA Approved Accessory] | 114.00 |
| KNB-52N | 1400 mAh, Ni-MH battery | 67.00 |
| KBP-4 | AA Alkaline Refillable Battery Pack (12 AA; 9V) cells not included | 43.00 |
| KSC-19 | 110 volt Regular rate single unit desk charger for KNB-16/17A/17B/52N | 36.75 |
| KSC-24 | 110 volt Rapid rate single unit charger for KNB-14/15/16/17A/17B/20N/21N/22N/22NC/51NC/52N | 62.00 |
| KMB-16 | Six Unit Charger Adapter for the KSC-16/20/24/25/25L/30 chargers (chargers not included) | 173.00 |
| KMB-23 | Six Unit Charger Adapter for the KSC-16/20/24/25/25L/32 chargers (chargers not included) | 191.00 |
| KVC-3 | Vehicular charger adapter for the KSC-15/17/19/25L/30 chargers (chargers not included) | 63.00 |
| KVC-4 | Vehicular charger adapter for the KSC-16/18/20/24/25 chargers (chargers not included) | 84.00 |

| CARRYING ACCESSORIES | | LIST |
|-----------------------------|---|-------------|
| KBH-10 | Spring action belt clip | 8.35 |
| KBH-8DS | Leather swivel belt loop with portable D-Ring attachment | 26.30 |
| KLH-6SW | Leather swivel belt loop / detachable swivel D-Ring back | 22.00 |
| KLH-78B | Heavy duty leather carrying case for TK-190/290/390/5400 (Non DTMF keypad models) | 44.25 |
| KLH-79B | Heavy duty leather carrying case for TK-290/390/5400 (DTMF keypad models) | 44.25 |
| KLH-88 | Cordura Nylon carrying case for TK-190/290/390/5400 (Non DTMF keypad models) | 26.30 |
| KLH-89 | Cordura Nylon carrying case for TK-290/390/5400 (DTMF Keypad models) | 26.30 |
| KLH-90 | Heavy duty leather carrying case for TK-290/390/5400 (DTMF keypad models w/ KBP-4) | 44.25 |
| KLH-137ST | Firemen's Heavy-Duty Leather Shoulder Strap for a Heavy-Duty Leather Case (KLH-75B/76B/78B/79B/92/122/123/133/148/154) | 36.75 |
| KLH-141 | Extra Heavy-Duty Cordura Nylon carrying case for TK-190/290/390 (all battery packs; no keypad access) | 34.75 |

| MICROPHONES & AUDIO ACCESSORIES | | LIST |
|--|---|-------------|
| KEP-1 | 3.5mm earphone kit for KMC-25/26/41M/42WM Speaker Mics [Intrinsically Safe Approved Accessory] [MSHA Approved Accessory] | 52.50 |
| KCT-30 | 2.5mm Audio Accessory Adapter for KEP-3/4 [Intrinsically Safe Approved Accessory] | 64.00 |
| KEP-3 | 30" Earphone kit w/ 2.5mm plug for KCT-30 [Intrinsically Safe Approved Accessory] [MSHA Approved Accessory] | 51.50 |
| KEP-4 | 48" Earphone kit w/ 2.5mm plug for KCT-30 [Intrinsically Safe Approved Accessory] | 54.75 |
| KMC-25 | MIL-SPEC, Noise canceling Speaker mic [Intrinsically Safe Approved Accessory] [MSHA Approved Accessory] | 96.50 |
| KMC-41M | MIL-SPEC, IP54/55 Noise-canceling Speaker Mic [MSHA Approved Accessory] | 96.50 |
| KMC-42WM | MIL-SPEC, IP67 (Immersion) Noise-canceling Speaker Mic [MSHA Approved Accessory] Important Note: Portable radio does not have an IP67 Immersion option; meets MIL STD810 rain standards | 114.00 |
| KMC-26 | MIL-SPEC, Noise canceling Speaker mic w/Antenna Connector (ant. not incl.) [Intrinsically Safe Approved Accessory] [MSHA Approved Accessory] | 115.50 |
| KHS-11BE | 2-wire palm mic w/earphone, universal connector (Beige) [Intrinsically Safe Approved Accessory] | 156.50 |
| KHS-11BL | 2-wire palm mic w/earphone, universal connector (Black) [Intrinsically Safe Approved Accessory] | 156.50 |
| KHS-12BE | 3-wire mini lapel mic w/earphone, universal connector (Beige) [Intrinsically Safe Approved Accessory] | 184.00 |
| KHS-12BL | 3-wire mini lapel mic w/earphone, universal connector (Black) [Intrinsically Safe Approved Accessory] | 184.00 |
| KHS-14 | Lt. Wt. Single muff headset w/boom mic & In-line PTT [Intrinsically Safe Approved Accessory] | 126.00 |
| KHS-15-BH | Hvy-duty noise reduction behind-the-headset w/noise cancelling boom mic & in-line PTT [Intrinsically Safe Approved Accessory] [MSHA Approved Accessory] | 420.00 |
| KHS-15-OH | Hvy-duty noise reduction over-the-headset w/noise cancelling boom mic & in-line PTT [Intrinsically Safe Approved Accessory] [MSHA Approved Accessory] | 368.00 |
| OPTION MODULES | | LIST |
| KCT-57MS | Man-Down Internal Tilt Switch (Non-Mercury) [Intrinsically Safe Approved Accessory] - Must be Kenwood installed for I.S. Order L-1060 for FleetSync® operations | 22.00 |
| SERVICE RELATED ACCESSORIES | | LIST |
| KPG-36UM | USB Programming interface cable | 158.50 |
| KPG-38DNK | Windows® Programming Software for TK-290/390 (Compliant with FCC Part 90 Narrowbanding) Note: Self-programming function is not available. | 68.50 |
| ***** Contact Kenwood Parts for Price and Availability 800-367-7514 on the following: | | |
| E30-3325-05 | Portable-to-Portable Cloning cable (For TK-190/290/390/480/481 Only) | --- |
| INSTALLATION / TUNING CHARGES | | LIST |
| L-804 | TK-290/390 Programming (with basic TX/RX check) | 25.00 |
| L-836 | Assemble KMB-16 with six KSC-24's | 15.00 |
| L-837 | Install KNB-21N/22N/22NC/51NC/52N battery | 0.00 |
| L-870 | Simultaneous transpond and alert feature up-grade for 90-series mobiles & portables | 50.00 |
| L-961 | Assemble KMB-23 with six KSC-24/25/32 (Rapid Rate, 120 Volt versions only) | 17.00 |
| L-1027 | Configure TK-290/390 for MSHA Intrinsically Safe Must order KNB-51NC | 70.00 |
| L-1060 | 80/90 PORTABLE KCT-57MS INSTALLATION (FOR FLEETSYNC) | 20.00 |

TK-2140 / 3140

VHF/UHF Trunking / Conventional Compact Portable Radios



All 140 series portables include:

- Belt Clip (KBH-12)
- Universal Connector Cap
- Instruction Manual
- Premium Warranty: 3 Years*

* All Accessories / options: 1 Year

Order packages to include Antenna, Battery & Charger, or purchase Battery, Charger, and Antenna separately.

GENERAL FEATURES

- 5 W (136-174 MHz)
- 4 W (450-490 MHz)
- 32 Conventional & LTR® Systems
- 10 Character Alphanumeric Aliases
- Lighted Dot Matrix LCD
- 3-Digit Sub-Display
- Function / Status LCD Icons
- Transmit / Busy / Call Alert / Warn LED
- 4 Front Panel PF keys
- 2 Side PF Keys
- Orange Emergency / AUX Key
- 500 mW Speaker Audio
- Companded Audio
- Emergency Call Features
- DTMF Encode / Decode
- Time Out Timer
- Busy Channel Lockout
- LCD Battery Status Indicator
- Low Battery Alert
- Battery Saver
- Weather-sealed ACC Connector
- MIL-Spec Speaker Mic Option
- Windows® Programming & Tuning
- Windows® Firmware Uploading
- Front Panel Test / Tune
- Cloning

- MIL-STD-810 C/D/E/F/G
- MIL-STD "Driven-Rain"
- Intrinsically Safe Option*

CONVENTIONAL SYSTEMS

- 250 Channels
- QT / DQT
- Two-Tone Decode
- Operator Selectable Tone
- Single Priority Scan
- Single & Multi-Group Scan

TRUNKED SYSTEMS

- 250 GID
- Kenwood LTR® Features

FleetSync®

- PTT ID Digital ANI
- Selective Call & Group Call
- Status Messaging
- Emergency Status
- Caller ID Display
- Short Text Messages

--- Must Order **L-942** for Intrinsically Safe Option ---
* Approved for Classes I, II & III, Div. 1, Groups C, D, E, F, G hazardous locations and Non-Incendive Class I, Div. 2, Groups A, B, C & D hazardous locations.

| Li-ion VALUE PACKAGES | | | LIST |
|------------------------------|--|--|-------------|
|------------------------------|--|--|-------------|

| | | | |
|---------------|---|--|--------|
| TK-2140-SLKVP | VHF Li-ion Value Pack (TK-2140 + KNB-55L + KSC-25L + KRA-26M) | | 715.30 |
| TK-2140-LKVP | VHF Hi-Cap Li-ion Value Pack (TK-2140 + KNB-57L + KSC-25L + KRA-26M) | | 753.30 |
| TK-3140-SLKVP | UHF Li-ion Value Pack (TK-3140K + KNB-55L + KSC-25L + KRA-27M) | | 733.30 |
| TK-3140-LKVP | UHF Hi-Cap Li-ion Value Pack (TK-3140K + KNB-57L + KSC-25L + KRA-27M) | | 771.30 |

| PACKAGES | | | LIST |
|-----------------|--|--|-------------|
|-----------------|--|--|-------------|

| | | | |
|--------------|---|--|--------|
| TK-2140-NKP | VHF Basic Package (TK-2140 + KNB-56N + KSC-30 + KRA-26M) | | 703.50 |
| TK-2140-SLKP | VHF Standard Slim Package (TK-2140 + KNB-55L + KSC-25 + KRA-26M) | | 729.00 |
| TK-2140-LKP | VHF Premium Package (TK-2140 + KNB-57L + KSC-25 + KRA-26M) | | 767.00 |
| TK-3140-NKP | UHF Basic Package (TK-3140K + KNB-56N + KSC-30 + KRA-27M) | | 721.50 |
| TK-3140-SLKP | UHF Standard Slim Package (TK-3140K + KNB-55L + KSC-25 + KRA-27M) | | 747.00 |
| TK-3140-LKP | UHF Premium Package (TK-3140K + KNB-57L + KSC-25 + KRA-27M) | | 785.00 |

| RADIO | | | LIST |
|--------------|--|--|-------------|
|--------------|--|--|-------------|

| | | | |
|----------|--|--|--------|
| TK-2140 | 136-174 MHz 5W, LTR-32 Systems, CONV-250 CH. | | 593.00 |
| TK-3140K | 450-490 MHz 4W, LTR-32 Systems, CONV-250 CH. | | 611.00 |

| ANTENNAS | | LIST |
|-----------------|---|-------------|
| KRA-14M | VHF helical antenna 148-162 MHz | 17.80 |
| KRA-14M2 | VHF helical antenna 162-174 MHz | 17.80 |
| KRA-14M3 | VHF helical antenna 136-150 MHz | 17.80 |
| KRA-15AM | UHF whip antenna 450-490 MHz | 17.80 |
| KRA-15AM2 | UHF whip antenna 470-512 MHz | 17.80 |
| KRA-15AM3 | UHF whip antenna 403-430 MHz | 17.80 |
| KRA-16M | VHF stubby antenna 148-162 MHz | 13.70 |
| KRA-16M2 | VHF stubby antenna 162-174 MHz | 13.70 |
| KRA-16M3 | VHF stubby antenna 136-150 MHz | 13.70 |
| KRA-17M | UHF stubby antenna 450-490 MHz | 13.70 |
| KRA-17M2 | UHF stubby antenna 470-512 MHz | 13.70 |
| KRA-17M3 | UHF stubby antenna 403-430 MHz | 13.70 |
| KRA-22M | VHF low-profile helical antenna 148-162 MHz | 13.70 |
| KRA-22M2 | VHF low-profile helical antenna 162-174 MHz | 13.70 |
| KRA-22M3 | VHF Low-profile helical antenna 136-150 MHz | 13.70 |
| KRA-23M | UHF low-profile helical antenna 450-490 MHz | 13.70 |
| KRA-23M2 | UHF low-profile helical antenna 470-512 MHz | 13.70 |
| KRA-23M3 | UHF low-profile helical antenna 403-430 MHz | 13.70 |
| KRA-26M | VHF helical antenna 146-162 MHz | 14.00 |
| KRA-26M2 | VHF helical antenna 162-174 MHz | 14.00 |
| KRA-26M3 | VHF helical antenna 136-150 MHz | 14.00 |
| KRA-27M | UHF whip antenna 440-490 MHz | 14.00 |
| KRA-27M2 | UHF whip antenna 470-520 MHz | 14.00 |
| KRA-27M3 | UHF whip antenna 400-450 MHz | 14.00 |

| BATTERIES AND CHARGERS | | LIST |
|-------------------------------|---|-------------|
| KBP-5 | AA Alkaline Refillable Battery Pack (6 AA; 9V) cells not included | 49.00 |
| KNB-55L | 1480 mAh, Li-ion battery - requires KSC-25/25L/256K charger | 60.00 |
| KNB-56N | 1400 mAh, Ni-MH battery | 65.00 |
| KNB-57L | 2000 mAh, Li-ion battery - requires KSC-25/25L/256K charger | 98.00 |
| KNB-40LCV | 1950 mAh, Li-ion battery - requires KSC-25/25L/256K charger [Intrinsically Safe Option] | 112.00 |
| KSC-25L | 120 ~ 240 volt rapid rate single unit charger for KNB-35L/40LC(V)/55L/57L Li-ion Battery | 48.30 |
| KSC-25 | 110 volt Rapid rate single unit charger for KNB-25A/26N/35L/40LC(V)/55L/56N/57L | 62.00 |
| KSC-30 | 110 volt Regular rate single unit charger for KNB-25A/26N/56N | 31.50 |
| KSC-256K | Rapid rate 6-Unit charger for KNB-25A/26N/35L/40LC(V)/55L/56N/57L | 630.00 |
| KMB-30M | Wall Mount Bracket for KSC-326K/256K | 33.75 |
| KMB-16 | Six Unit Charger Adapter for the KSC-16/20/24/25/25L/30 chargers (chargers not included) | 173.00 |
| KMB-23 | Six Unit Charger Adapter for the KSC-16/20/24/25/25L/32 chargers (chargers not included) | 191.00 |
| KVC-3 | Vehicular charger adapter for the KSC-15/17/19/25L/30 chargers (chargers not included) | 63.00 |
| KVC-4 | Vehicular charger adapter for the KSC-16/18/20/24/25 chargers (chargers not included) | 84.00 |

| CARRYING ACCESSORIES | | LIST |
|-----------------------------|---|-------------|
| KBH-12 | Spring action belt clip | 8.35 |
| KBH-13DS | Leather swivel belt loop with portable D-Ring attachment | 28.85 |
| KLH-114 | Soft leather case for TK-2140/3140 | 44.25 |
| KLH-116 | Heavy-Duty Leather Case w/Swivel Belt Loop for TK-2140/3140 | 49.00 |
| KWR-1 | Water resistant bag | 29.85 |

| MICROPHONES & AUDIO ACCESSORIES | | LIST |
|--|---|-------------|
| KEP-1 | 3.5mm earphone kit for KMC-25/26/41M/42WM Speaker Mics [Intrinsically Safe Approved Accessory] | 52.50 |
| KCT-30 | 2.5mm Audio Accessory Adapter for KEP-3/4 [Intrinsically Safe Approved Accessory] | 64.00 |
| KEP-3 | 30" Earphone kit w/ 2.5mm plug for KCT-30 [Intrinsically Safe Approved Accessory] | 51.50 |
| KEP-4 | 48" Earphone kit w/ 2.5mm plug for KCT-30 [Intrinsically Safe Approved Accessory] | 54.75 |
| KMC-41M | MIL-SPEC, IP54/55 Noise-canceling Speaker Mic [Intrinsically Safe Approved Accessory] | 96.50 |
| KMC-42WM | MIL-SPEC, IP67 (Immersion) Noise-canceling Speaker Mic [Intrinsically Safe Approved Accessory] Note: Radio does not have an IP67 Immersion option; meets MIL STD810 rain standards | 114.00 |
| KMC-51M | MIL-SPEC, IP54/55 DSP Digital Noise-canceling Speaker Mic [see note 1] | 250.00 |
| KMC-52W | MIL-SPEC, IP67 (Immersion) DSP Digital Noise-canceling Speaker Mic [see note 1] Note: Radio does not have an IP67 Immersion option; meets MIL STD810 rain standards [note 1]: To adjust microphone settings different from factory default, download KPG-147NC configuration software and special configuration firmware from Kenwood Tools (no charge). | 300.00 |
| KHS-11BE | 2-wire palm mic w/earphone, universal connector (Beige) [Intrinsically Safe Approved Accessory] | 156.50 |
| KHS-11BL | 2-wire palm mic w/earphone, universal connector (Black) [Intrinsically Safe Approved Accessory] | 156.50 |
| KHS-12BE | 3-wire mini lapel mic w/earphone, universal connector (Beige) [Intrinsically Safe Approved Accessory] | 184.00 |
| KHS-12BL | 3-wire mini lapel mic w/earphone, universal connector (Black) [Intrinsically Safe Approved Accessory] | 184.00 |
| KHS-14 | Lt. Wt. Single muff headset w/boom mic & In-line PTT [Intrinsically Safe Approved Accessory] | 126.00 |
| KHS-15-BH | Hvy-duty noise reduction behind-the-headset w/noise cancelling boom mic & in-line PTT [Intrinsically Safe Approved Accessory] | 420.00 |
| KHS-15-OH | Hvy-duty noise reduction over-the-headset w/noise cancelling boom mic & in-line PTT [Intrinsically Safe Approved Accessory] | 368.00 |

| SERVICE RELATED ACCESSORIES | | LIST |
|------------------------------------|---|-------------|
| KPG-36UM | USB Programming interface cable | 158.50 |
| KPG-74DNK | Windows® Programming Software for TK-2140/3140 (Compatible with FCC Part 90 Narrowbanding) Note: Self-programming function is not available. | 103.25 |

| INSTALLATION / TUNING CHARGES | | LIST |
|--------------------------------------|--|-------------|
| L-836 | Assemble KMB-16 with six KSC-25/25L | 15.00 |
| L-924 | TK-2140/3140 Programming (with basic TX/RX check) | 25.00 |
| L-942 | Configure TK-2140/3140 for Intrinsically Safe Must order an I.S. battery | 70.00 |
| L-961 | Assemble KMB-23 with six KSC-24/25/25L/32 (Rapid Rate, 120 Volt versions only) | 17.00 |

FleetSync® for TK-2140/3140 Series Portables

DEALER

LIST

This radios firmware includes both FleetSync® Basic and Enhanced feature sets. However, the "FleetSync® Enhanced" features must be "activated" in the radio by purchasing the FleetSync Enhanced Option.

FleetSync® Basic Features - "Basic" features are available in each radio as shipped from Kenwood (no activation is required). The entire Basic feature set is designed to operate between other FleetSync® capable base and fleet radios. Some Basic feature sets require a base dispatch PC application software and/or dispatch hardware device for practical dispatch operations.

- 1) **PTT ANI** - digital ANI sent on each PTT using the FleetSync® ID.
- 2) **Caller ID / Caller ID Stack**- decodes an incoming PTT ID and displays the caller alphanumeric tag; Caller ID Stack stores the last 3 calls for review.
- 3) **Selective Call** - allows base-to-fleet and fleet-to-fleet selective calling via a pre-stored 100 ID list. Each ID can have an 16 character alphanumeric tag for easy selection and Caller ID recognition.
- 4) **Status Messaging** - provides up to 50 pre-stored sixteen-character alphanumeric messages permitting a base to send a larger variety of job-type messages and fleet radios to display and respond accordingly with complimentary acknowledgements. Includes special reserved statuses for: Emergency, Emergency Man-down, Emergency Mode Off, Horn Alert (mobiles) and Radio Stun/Acknowledge/Resurrect statuses.

FleetSync® Enhanced Option Features - The FleetSync® Enhanced Option must be "activated" in the radio at an extra charge by ordering labor code L-928 for a Kenwood install or by ordering the appropriate quantities of L-925/926/927, SRB08698 and KPG-65ED dealer field retrofit options. This enables the following enhanced features in addition to the Basic feature set:

- 5) **PC Serial Control (mobiles only)** - PC Serial Interface enables mobile COM port I/O serial data line for communications between an FleetSync®-capable mobile radio and a FleetSync®-compatible PC application software or a peripheral device (e.g. KDS-100).
- 6) **Short Text Messaging** - decodes, stores and displays up to four 48-character Short Text messages
- 7) **Long Text Messaging (mobiles only)** - decodes and stores one 1024-character message for output to an external MDT or decode-display device.
- 8) **FleetSync®-AVL (mobiles only)** - embeds GPS NMEA information in FleetSync® data packets and sends them to a base/control station interfaced with a FleetSync®-AVL compatible software.

To program all 140-Series radio parameters (including FleetSync® parameters):

| | | |
|--|---|--------|
| KPG-36UM | USB Programming interface cable | 158.50 |
| KPG-74DNK | Windows® Programming Software for TK-2140/3140 (Compatible with FCC Part 90 Narrowbanding) | 103.25 |
| Note: Self-programming function is not available. | | |

Kenwood Installed FleetSync® Enhanced Option

| | | |
|-------|----------------------------|-------|
| L-928 | FleetSync® Enhanced Option | 50.00 |
|-------|----------------------------|-------|

Dealer Installed FleetSync® Enhanced Options

Note: Instead of L-928, options L-925/926/927; SRB08698 Hardware Key and KPG-65ED can be purchased for dealer field installation of the FleetSync® Enhanced option

| | | |
|-----------|---|-------|
| L-925 | FleetSync® Enhanced Option (field retrofit) for 140-series; Price each for qty. 1-24 | 50.00 |
| L-926 | FleetSync® Enhanced Option (field retrofit) for 140-series; Price each for qty. 25-99 | 50.00 |
| L-927 | FleetSync® Enhanced Option (field retrofit) for 140-series; Price each for qty. 100+ | 50.00 |
| SRB08698 | Hardware Key Note: SRB08698 hardware key holds also 100 ESN's maximum; multiple keys must be purchased for orders over 100. The SRB08698 hardware key requires L-925, 926, or 927 options to be loaded into it. The hardware key requires the KPG-65ED to activate FleetSync® Enhanced Options in a 40-Series radio. The SRB08698 hardware key can be returned when empty for 50% credit. Call the LMR order desk for an RMA#. Credit will NOT be issued for the L-925/926/927 options | 87.50 |
| KPG-65EDK | FleetSync® Enhanced Option Installation Software Note: Required for L-925/926/927 & SRB08698 use. This software is re-usable on future orders of L-925/926/927 The KPG-65ED is a one-time order and may be re-used on future orders of L-925, 926, or 927. The SRB08698 hardware key must be installed on the PC parallel port for the KPG-65ED to operate | 10.50 |

TK-2170 / 3170
Compact VHF / UHF FM Portable Radios



All 170 series portables include:

- Belt Clip (KBH-12)
- 2-PIN Connector Cap
- Instruction Manual
- Standard Warranty: 2 Years*

* All Accessories / options: 1 Year

Order packages to include Battery, Charger & Antenna, or purchase Battery, Charger, and Antenna separately.

GENERAL FEATURES

- 5 W (136-174 MHz) Models
- 4 W (450-490, 400-430 MHz) Models
- Conventional Zones
- 128 Channels / 128 Zones
- Single Priority Scan
- Single & Multi-Zone Scan
- List Scan
- 8 Character Alphanumeric Aliases
- Backlit LCD
- Function / Status LCD Icons
- Transmit / Busy / Call Alert / Warn LED
- 4 Front Panel PF keys
- 3 Side PF Keys
- Orange Emergency / AUX Key
- 12-Key DTMF / PF Keypad Models
- 500 mW Audio Power
- Enhanced Kenwood Audio
- Companded Audio
- VOX Ready
- Voice Inversion Scrambler Built-in
- Encryption / ANI Board Control
- Easy Option Port (20-Pin)
- Emergency Call Features
- QT / DQT
- Two-Tone Decode
- Single / Two-Tone Encode

- Operator Selectable Tone
- DTMF Encode / Decode
- Special Alert Tone Pattern
- Call Key
- Time Out Timer
- Busy Channel Lockout
- LCD Battery Status Indicator
- Low Battery Alert
- Battery Saver
- Weather-sealed ACC Connector
- Speaker Mic Options
- Windows® Programming & Tuning
- Windows® Firmware Uploading
- Field Programming & Tuning
- Cloning
- MIL-STD-810 C/D/E/F/G
- MIL-STD "Driven-Rain"
- IP-54/55 Water & Dust Intrusion
- Intrinsically Safe Option*

FleetSync®

- PTT ID Digital ANI
- Selective Call & Group Call
- Status Messaging
- Emergency Status
- Caller ID Display
- Short Text Messages
- PC Serial Interface

--- Must Order **L-1000** for Intrinsically Safe Option ---

* Approved for Classes I, II & III, Div. 1, Groups C, D, E, F, G and are also approved for non-incendive use in Class I, Div. 2, Groups A, B, C, D hazardous locations.

Li-ion VALUE PACKAGES

LIST

| | | | |
|---------------|------------------------------|--|--------|
| TK-2170-SLKVP | VHF Li-ion Value Pack | (TK-2170K + KNB-55L + KSC-25L + KRA-26M) | 472.30 |
| TK-2170-LKVP | VHF Hi-Cap Li-ion Value Pack | (TK-2170K + KNB-57L + KSC-25L + KRA-26M) | 510.30 |
| TK-3170-SLKVP | UHF Li-ion Value Pack | (TK-3170K + KNB-55L + KSC-25L + KRA-27M) | 489.30 |
| TK-3170-LKVP | UHF Hi-Cap Li-ion Value Pack | (TK-3170K + KNB-57L + KSC-25L + KRA-27M) | 527.30 |

PACKAGES

LIST

| | | | |
|--------------|---------------------------|---|--------|
| TK-2170-NKP | VHF Basic Package | (TK-2170K + KNB-56N + KSC-30 + KRA-26M) | 460.50 |
| TK-2170-SLKP | VHF Standard Slim Package | (TK-2170K + KNB-55L + KSC-25 + KRA-26M) | 486.00 |
| TK-2170-LKP | VHF Premium Package | (TK-2170K + KNB-57L + KSC-25 + KRA-26M) | 524.00 |
| TK-3170-NKP | UHF Basic Package | (TK-3170K + KNB-56N + KSC-30 + KRA-27M) | 477.50 |
| TK-3170-SLKP | UHF Standard Slim Package | (TK-3170K + KNB-55L + KSC-25 + KRA-27M) | 503.00 |
| TK-3170-LKP | UHF Premium Package | (TK-3170K + KNB-57L + KSC-25 + KRA-27M) | 541.00 |

RADIO

LIST

| | | |
|-----------|---|--------|
| TK-2170K | 136-174 MHz 5W, 128 CH / 128 Zone Conventional; 8 Character LCD, 4-key | 350.00 |
| TK-2170K2 | 136-174 MHz 5W, 128 CH / 128 Zone Conventional; 8 Character LCD, 4 + 12-key | 400.00 |
| TK-3170K | 450-490 MHz 4W, 128 CH / 128 Zone Conventional; 8 Character LCD, 4-key | 367.00 |
| TK-3170K4 | 450-490 MHz 4W, 128 CH / 128 Zone Conventional; 8 Character LCD, 4 + 12-key | 417.00 |
| TK-3170K3 | 400-430 MHz 4W, 128 CH / 128 Zone Conventional; 8 Character LCD, 4-key | 367.00 |
| TK-3170K6 | 400-430 MHz 4W, 128 CH / 128 Zone Conventional; 8 Character LCD, 4 + 12-key | 417.00 |

| ANTENNAS | | LIST |
|-----------------|---|-------------|
| KRA-22M | VHF Low-profile helical antenna 148-162 MHz | 13.70 |
| KRA-22M2 | VHF Low-profile helical antenna 162-174 MHz | 13.70 |
| KRA-22M3 | VHF Low-profile helical antenna 136-150 MHz | 13.70 |
| KRA-23M | UHF Low-profile helical antenna 450-490 MHz | 13.70 |
| KRA-23M2 | UHF Low-profile helical antenna 470-512 MHz | 13.70 |
| KRA-23M3 | UHF Low-profile helical antenna 403-430 MHz | 13.70 |
| KRA-26M | VHF helical antenna 146-162 MHz | 14.00 |
| KRA-26M2 | VHF helical antenna 162-174 MHz | 14.00 |
| KRA-26M3 | VHF helical antenna 136-150 MHz | 14.00 |
| KRA-27M | UHF whip antenna 440-490 MHz | 14.00 |
| KRA-27M2 | UHF whip antenna 470-520 MHz | 14.00 |
| KRA-27M3 | UHF whip antenna 400-450 MHz | 14.00 |

| BATTERIES AND CHARGERS | | LIST |
|-------------------------------|---|-------------|
| KBP-5 | AA Alkaline Refillable Battery Pack (6 AA; 9V) cells not included | 49.00 |
| KNB-55L | 1480 mAh, Li-ion battery - requires KSC-25/25L/256K charger | 60.00 |
| KNB-56N | 1400 mAh, Ni-MH battery | 65.00 |
| KNB-57L | 2000 mAh, Li-ion battery - requires KSC-25/25L/256K charger | 98.00 |
| KNB-40LCV | 1950 mAh, Li-ion battery - requires KSC-25/25L/256K charger [Intrinsically Safe Option] | 112.00 |
| KSC-25L | 100-240 volt rapid rate single unit charger for KNB-35L/40LC(V)/55L/57L Li-ion Battery | 48.30 |
| KSC-25 | 110 volt Rapid rate single unit charger for KNB-25A/26N/35L/40LC(V)/55L/56N/57L | 62.00 |
| KSC-30 | 110 volt Regular rate single unit charger for KNB-25A/26N/56N | 31.50 |
| KSC-256K | Rapid rate 6-Unit charger for KNB-25A/26N/35L/40LC(V)/55L/56N/57L | 630.00 |
| KMB-30M | Wall Mount Bracket for KSC-326K/256K | 33.75 |
| KMB-16 | Six Unit Charger Adapter for the KSC-16/20/24/25/25L/30 chargers (chargers not included) | 173.00 |
| KMB-23 | Six Unit Charger Adapter for the KSC-16/20/24/25/25L/32 chargers (chargers not included) | 191.00 |
| KVC-3 | Vehicular charger adapter for the KSC-15/17/19/25L/30 chargers (chargers not included) | 63.00 |
| KVC-4 | Vehicular charger adapter for the KSC-16/18/20/24/25 chargers (chargers not included) | 84.00 |

| CARRYING ACCESSORIES | | LIST |
|-----------------------------|--|-------------|
| KLH-138 | Heavy-Duty Leather Case w/Swivel Belt Loop for 160/170/173/360 (Non DTMF keypad) | 49.00 |
| KLH-139 | Heavy-Duty Leather Case w/Swivel Belt Loop for 170/173 (w/ DTMF keypad) | 49.00 |
| KBH-12 | Spring action belt clip | 8.35 |
| KBH-13DS | Leather swivel belt loop with portable D-Ring attachment | 28.85 |
| KWR-1 | Water resistant bag | 29.85 |

| MICROPHONES & AUDIO ACCESSORIES | | LIST |
|--|--|-------------|
| KMC-48GPS | GPS Speaker Microphone | 265.00 |
| KMC-45 | MIL-SPEC, IP54/55 Speaker microphone (Built-in 2.5mm miniature earphone jack) [Intrinsically Safe Approval Accessory] | 86.00 |
| KMC-21 | Compact speaker microphone [Intrinsically Safe Approval Accessory] | 51.50 |
| KEP-2 | 2.5mm earphone kit for KMC-17/45 Speaker Mic [Intrinsically Safe Approved Accessory] | 52.50 |
| KHS-10-BH | Hvy-duty noise reduction behind-the-headset w/noise cancelling boom mic & in-line PTT [Intrinsically Safe Approved Accessory] | 368.00 |
| KHS-10-OH | Hvy-duty noise reduction over-the-headset w/noise cancelling boom mic & in-line PTT [Intrinsically Safe Approval Accessory] | 336.00 |
| KHS-7 | Single muff headset w/boom mic [Intrinsically Safe Approval Accessory] | 70.00 |
| KHS-7A | Lt. Wt Single muff headset w/boom mic & in-line PTT [Intrinsically Safe Approval Accessory] | 105.00 |
| KHS-8BL | Two-Wire palm mic w/earphone (black) | 103.25 |
| KHS-9BL | Three-Wire lapel mic w/earphone (black) | 166.00 |
| KHS-22 | Behind-the-Head Headset with flexible boom mic and in-line PTT single ear receiver (low profile wire head band) | 41.00 |
| KHS-23 | 2-Wire Cell-style Earbud Clip/PTT Palm Mic (medium duty) | 55.50 |
| KHS-25 | Headset w/ D-Ring Ear Hanger w/ PTT & Boom Mic | 24.50 |
| KHS-26 | Clip Mic w/earphone | 28.00 |
| KHS-27 | D-Ring Ear Hanger w/PTT & Mic | 24.50 |
| KHS-31 | C-Ring Ear Hanger w/PTT & Mic | 30.00 |

| OPTION MODULES | | LIST |
|-----------------------|---|-------------|
| KCT-57MS | Man-Down Internal Tilt Switch (Non-Mercury) [Intrinsically Safe Approved Accessory]- Must be Kenwood installed for I.S. Order L-1609 for FleetSync® operations | 22.00 |

| SERVICE RELATED ACCESSORIES | | LIST |
|------------------------------------|---|-------------|
| KPG-101DNK | Windows® Programming Software for TK-2170/3170/3173 (Compliant with FCC Part 90 Narrowbanding) Note: Self-programming function is not available. | 103.25 |
| KPG-22UM | USB Programming interface cable | 158.50 |

| INSTALLATION / TUNING CHARGES | | LIST |
|--------------------------------------|--|-------------|
| L-836 | Assemble KMB-16 with six KSC-25/25L | 15.00 |
| L-961 | Assemble KMB-23 with six KSC-24/25/25L/32 (Rapid Rate, 120 Volt versions only) | 17.00 |
| L-992 | TK-2170/3170 Programming (with basic TX/RX check) | 37.50 |
| L-1000 | Configure TK-2170/3170 for Intrinsically Safe Must Order an I.S. Battery | 70.00 |
| L-1609 | 170/173 Portable KCT-57MS Installation (for FleetSync®) | 20.00 |

TK-2180 / 3180
VHF/UHF Trunking & Conventional Portable Radios



All 180 series portables include:

- Belt Clip (KBH-11)
- Universal Connector Cap
- Instruction Manual
- Premium Warranty: 3 Years*

* All Accessories / options: 1 Year

Order packages to include Battery & Charger, or purchase Battery, Charger, and Antenna separately.

GENERAL FEATURES

- 5 W (136-174 MHz) Models
- 5 W (450-520, 400-470 MHz) Models
- Conventional & LTR® Zones
- 12 Character Alphanumeric Aliases
- Backlit Dot Matrix LCD
- 3-Digit Sub-Display
- Function / Status LCD Icons
- RSSI Indicator
- Date & 12/24 Hour Time Clock
- Transmit / Busy / Call Alert / Warn LED
- 4 Front Panel PF keys
- 2 Side PF Keys
- Orange Emergency / AUX Key
- 12-Key DTMF / PF Keypad
- 500 mW Audio Power
- Enhanced Kenwood Audio
- Companded Audio
- VOX Ready
- Voice Inversion Scrambler Built-in
- Encryption / ANI Board Control
- Easy Option Port
- VGS-1 Voice Guide / Storage Option
- Emergency Call Features
- Emergency Man-Down Option
- DTMF Encode / Decode
- Special Alert Tone Patterns
- Call Key
- Time Out Timer
- Busy Channel Lockout
- LCD Battery Status Indicator
- Low Battery Alert
- Battery Saver
- Weather-sealed ACC Connector
- MIL-Spec Speaker Mic Option
- Windows® Programming & Tuning
- Windows® Firmware Uploading
- Front Panel Test/Tune
- Cloning

- MIL-STD-810 C/D/E/F/G
- MIL-STD "Driven-Rain"
- IP-54/55 Water & Dust Intrusion
- Intrinsically Safe Option*

CONVENTIONAL ZONES

- 512 Channels / 128 Zones
- QT / DQT
- Two-Tone Decode
- Single / Two-Tone Encode
- Operator Selectable Tone
- Dual Priority Scan
- Single & Multi-Zone Scan
- List Scan

TRUNKED ZONES

- 512 GID / 128 Zones
- Kenwood LTR® Features

MPT ZONES (option)

- Single-Site Trunking
- Multi-Site Network Trunking
- 8 Network Capacity
- Network Roaming / Registration

FleetSync®

- FleetSync® or FleetSync® II
- PTT ID Digital ANI
- Selective Call & Group Call
- Status Messaging
- Emergency Status
- Caller ID Display
- Short Text Messages
- Power On/Off Status Messages
- PC Serial Interface
- Send/Display GPS (KMC-38GPS)
- PTT ID & Emergency GPS Reporting
- Status Message Block GPS Reporting

MDC-1200

* Approved for Classes I, II & III, Div. 1, Groups C, D, E, F, G and are also approved for non-Incendive use in Class I, Div. 2, Groups A,B, C, D hazardous locations.

Note: Class I, Div 2 Group A & B Gases require use of a portable carrying case.

| PACKAGES | | LIST |
|-----------------|--|-------------|
| TK-2180K-NKP | VHF NiMH Battery Package (TK-2180K + KNB-54N + KSC-32 + KBH-11) | 700.50 |
| TK-2180K-LKP | VHF Li-Ion Battery Package (TK-2180K + KNB-33L + KSC-32 + KBH-11) | 718.00 |
| TK-3180K-NKP | UHF NiMH Battery Package (TK-3180K + KNB-54N + KSC-32 + KBH-11) | 717.50 |
| TK-3180K2-NKP | UHF NiMH Battery Package (TK-3180K2 + KNB-54N + KSC-32 + KBH-11) | 717.50 |
| TK-3180K-LKP | UHF Li-Ion Battery Package (TK-3180K + KNB-33L + KSC-32 + KBH-11) | 735.00 |
| TK-3180K2-LKP | UHF Li-Ion Battery Package (TK-3180K2 + KNB-33L + KSC-32 + KBH-11) | 735.00 |

| RADIO | | LIST |
|--------------|---|-------------|
| TK-2180K | 136-174 MHz 5W, 512 CH / 128 Zone CONV-& LTR | 543.00 |
| TK-2180K2 | 136-174 MHz 5W, 512 CH / 128 Zone CONV-& LTR with DTMF keypad | 595.00 |
| TK-3180K | 450-520 MHz 5W, 512 CH / 128 Zone CONV-& LTR | 560.00 |
| TK-3180K3 | 450-520 MHz 5W, 512 CH / 128 Zone CONV-& LTR with DTMF Keypad | 613.00 |
| TK-3180K2 | 400-470 MHz 5W, 512 CH / 128 Zone CONV-& LTR | 560.00 |
| TK-3180K4 | 400-470 MHz 5W, 512 CH / 128 Zone CONV-& LTR with DTMF Keypad | 613.00 |

| FACTORY MUTUAL (FM) APPROVED MODELS | LIST |
|--|-------------|
|--|-------------|

Must Order L-994 & an Intrinsically Safe Battery per radio

| | | |
|--------------|---|--------|
| TK-2180-ISK | 136-174 MHz 5W, 512 CH / 128 Zone CONV-& LTR | 543.00 |
| TK-2180-ISK2 | 136-174 MHz 5W, 512 CH / 128 Zone CONV-& LTR with DTMF keypad | 595.00 |
| TK-3180-ISK | 450-520 MHz 5W, 512 CH / 128 Zone CONV-& LTR | 560.00 |
| TK-3180-ISK3 | 450-520 MHz 5W, 512 CH / 128 Zone CONV-& LTR with DTMF Keypad | 613.00 |
| TK-3180-ISK2 | 400-470 MHz 5W, 512 CH / 128 Zone CONV-& LTR | 560.00 |
| TK-3180-ISK4 | 400-470 MHz 5W, 512 CH / 128 Zone CONV-& LTR with DTMF Keypad | 613.00 |

| ANTENNAS | LIST |
|-----------------|-------------|
|-----------------|-------------|

| | | |
|----------|--|-------|
| KRA-26M | VHF helical antenna 146-162 MHz | 14.00 |
| KRA-26M2 | VHF helical antenna 162-174 MHz | 14.00 |
| KRA-26M3 | VHF helical antenna 136-150 MHz | 14.00 |
| KRA-27M | UHF whip antenna 440-490 MHz | 14.00 |
| KRA-27M2 | UHF whip antenna 470-520 MHz | 14.00 |
| KRA-27M3 | UHF whip antenna 400-450 MHz | 14.00 |
| KRA-22M | VHF low-profile helical antenna 148-162 MHz | 13.70 |
| KRA-22M2 | VHF low-profile helical antenna 162-174 MHz | 13.70 |
| KRA-22M3 | VHF Low-profile helical antenna 136-150 MHz | 13.70 |
| KRA-23M | UHF low-profile helical antenna 450-490 MHz | 13.70 |
| KRA-23M2 | UHF low-profile helical antenna 470-512 MHz | 13.70 |
| KRA-23M3 | UHF low-profile helical antenna 403-430 MHz | 13.70 |
| KRA-25 | High gain VHF helically loaded whip antenna 148-162 MHz | 34.25 |
| KRA-28 | Broad-band VHF helically loaded whip antenna 140-170 MHz | 42.00 |

| BATTERIES AND CHARGERS | LIST |
|-------------------------------|-------------|
|-------------------------------|-------------|

| | | |
|-------------|---|--------|
| KNB-54N | 2500 mAh, Ni-MH battery - requires KSC-32/326K charger | 87.50 |
| KNB-33L | 2000 mAh, Li-ion battery - requires KSC-32/326K charger | 105.00 |
| KNB-41NC-FM | 2500 mAh, Ni-MH battery - requires KSC-32/326K charger [FM Intrinsically Safe Option] | 136.50 |
| KNB-43L | 3300 mAh, Li-Polymer battery - requires KSC-32/326K charger | 163.00 |
| KNB-49PL | 4500 mAh, Primary Lithium battery Note: Non-Rechargeable (please recycle all batteries properly) 10 year Shelf Life (approx. 1% charge degradation per year when properly stored: +50 °F to +86 °F @ less than 70% humidity) | 84.00 |
| KBP-6 | AA Alkaline Refillable Battery Pack (6 AA; 9V) cells not included Note: the color of the case is orange | 68.50 |
| KSC-32 | Rapid rate single unit charger for KNB-31A/32N/33L/41NC/43L/47L/48L/50NC Note: Includes 110/220V auto-switching AC adapter with U.S.-style line cord plug; requires plug adapter for 220V Euro-style outlets (not supplied). | 70.00 |
| KSC-326K | Rapid rate 6-unit charger for KNB-31A/32N/33L/41NC/43L/47L/48L/50NC | 630.00 |
| KMB-30M | Wall Mount Bracket for KSC-326K/256K | 33.75 |
| KMB-23 | Six Unit Charger Adapter for the KSC-16/20/24/25/25L/32 chargers (chargers not included) | 191.00 |

| BATTERIES AND CHARGERS - CONT'D | | LIST |
|--|--|-------------|
| KVC-15 | Rapid rate DC vehicular charger adapter for the KSC-32 (chargers not included; includes KSC-mobile bracket & cigarette lighter cable DC adapter) | 119.00 |
| KVC-18 | Vehicular D.C. Charger for 180/5*10 Portables with NiCd or NiMH Battery | 446.50 |
| KVC-20L | Vehicular D.C. Charger for 180/5**0/, NX Portables with Li-ion or Li Polymer Battery | 497.00 |

| CARRYING ACCESSORIES | | LIST |
|-----------------------------|--|-------------|
| KBH-10 | Low profile spring action belt clip (for use with KNB-33L Only) | 8.35 |
| KBH-11 | Spring action belt clip (2.5") | 14.70 |
| KBH-8DS | Leather swivel belt loop with portable D-Ring attachment | 26.30 |
| KLH-6SW | Leather swivel belt loop / detachable swivel D-Ring back | 22.00 |
| KLH-122 | Heavy duty leather carrying case for TK-2180/3180 (Non DTMF keypad models) | 44.25 |
| KLH-123 | Heavy duty leather carrying case for TK-2180/3180 (DTMF keypad models) | 44.25 |
| KLH-124 | Cordura Nylon carrying case for TK-2180/3180 (Non DTMF keypad models) | 26.30 |
| KLH-125 | Cordura Nylon carrying case for TK-2180/3180 (DTMF keypad models) | 26.30 |
| KLH-137ST | Firemen's Heavy-Duty Leather Shoulder Strap for a Heavy-Duty Leather Case (KLH-75B/76B/78B/79B//92/122/123/133/148/154) | 36.75 |
| KWR-1 | Water resistant bag | 29.85 |

| MICROPHONES & AUDIO ACCESSORIES | | LIST |
|--|---|-------------|
| KMC-51M | MIL-SPEC, IP54/55 DSP Digital Noise-canceling Speaker Mic [see note 1] | 250.00 |
| KMC-52W | MIL-SPEC, IP67 (Immersion) DSP Digital Noise-canceling Speaker Mic [see note 1] Note: Radio does not have an IP67 Immersion option; meets MIL STD810 rain standards [note 1]: To adjust microphone settings different from factory default, download KPG-147NC configuration software and special configuration firmware from Kenwood Tools (no charge). | 300.00 |
| KMC-47GPS | GPS Speaker Microphone | 290.00 |
| KMC-40 | MIL-SPEC, Speaker Mic. with Antenna Connector Note: 5/16" Coax cable hex wrench included (antenna is not included). | 250.00 |
| KMC-41M | MIL-SPEC, IP54/55 Noise-canceling Speaker Mic [Intrinsically Safe Approved Accessory] | 96.50 |
| KMC-42WM | MIL-SPEC, IP67 (Immersion) Noise-canceling Speaker Mic [Intrinsically Safe Approved Accessory] Note: Radio does not have an IP67 Immersion option; meets MIL STD810 rain standards | 114.00 |
| KEP-1 | 3.5mm earphone kit for KMC-25/26/41M/42WM Speaker Mics [Intrinsically Safe Approved Accessory] | 52.50 |
| KCT-30 | 2.5mm Audio Accessory Adapter for KEP-3/4 [Intrinsically Safe Approved Accessory] | 64.00 |
| KCT-51 | Hirose 6-pin Adapter (adapts KVL/aftermarket audio acc. to portable connector) [Intrinsically Safe Approved Accessory] | 215.00 |
| KEP-3 | 30" Earphone kit w/ 2.5mm plug for KCT-30 [Intrinsically Safe Approved Accessory] | 51.50 |
| KEP-4 | 48" Earphone kit w/ 2.5mm plug for KCT-30 [Intrinsically Safe Approved Accessory] | 54.75 |
| KHS-11BE | 2-wire palm mic w/earphone, universal connector (Beige) [Intrinsically Safe Approved Accessory] | 156.50 |
| KHS-11BL | 2-wire palm mic w/earphone, universal connector (Black) [Intrinsically Safe Approved Accessory] | 156.50 |
| KHS-12BE | 3-wire mini lapel mic w/earphone, universal connector (Beige) [Intrinsically Safe Approved Accessory] | 184.00 |
| KHS-12BL | 3-wire mini lapel mic w/earphone, universal connector (Black) [Intrinsically Safe Approved Accessory] | 184.00 |
| KHS-14 | Lt. Wt. Single muff headset w/boom mic & In-line PTT [Intrinsically Safe Approved Accessory] | 126.00 |
| KHS-15-BH | Hvy-duty noise reduction behind-the-headset w/noise cancelling boom mic & in-line PTT [Intrinsically Safe Approved Accessory] | 420.00 |
| KHS-15-OH | Hvy-duty noise reduction over-the-headset w/noise cancelling boom mic & in-line PTT [Intrinsically Safe Approved Accessory] | 368.00 |

| OPTION MODULES | | LIST |
|-----------------------|--|-------------|
| KCT-48VU | External Vibration Unit [Intrinsically Safe Approved Accessory] Note: Audio accessories cannot be used when this option installed. | 49.00 |
| KCT-57MS | Man-Down Internal Tilt Switch (Non-Mercury) [Intrinsically Safe Approved Accessory] - Must be Kenwood installed for I.S. Order L-1610 for CIM-1000, K-20, K-26 & L-1611 for FleetSync® operations | 22.00 |
| VGS-1 | Voice Guide and Storage Unit [Intrinsically Safe Approved Accessory] | 87.50 |

| FRIMWARE OPTIONS | | LIST |
|-------------------------|--|-------------|
| KWD-180TFS | TFS-- Tactical Feature Set-- Field Upgrade Kit for 180-Series Must order L-1624 Note: Refer to 180-Series "Tactical Feature Set" In-Depth Technical Manual for feature details (available from technical support). Not compatible with any other firmware options. | 105.00 |

| SERVICE RELATED ACCESSORIES | | LIST |
|------------------------------------|---|-------------|
| KPG-36UM | USB Programming interface cable | 158.50 |
| KPG-89DNK | Windows® Programming Software for TK-2180/3180/7180/8180 (Compliant with FCC Part 90 Narrowbanding) Note: Self-programming & Tactical Feature Set* functions are not available. * KPG-89DK is required for Tactical Feature Set. KPG-89DK is no longer supported or distributed by Kenwood | 103.25 |

| INSTALLATION / TUNING CHARGES | | LIST |
|--------------------------------------|--|-------------|
| L-961 | Assemble KMB-23 with six KSC-32K's (Rapid Rate, 120 Volt version only) | 17.00 |
| L-962 | Install VGS-1 Voice Guide & Storage Unit Note: VGS-1 installation precludes any ANI or encryption board installation | 25.00 |
| L-963 | TK-2180/3180 Programming (with basic TX/RX check) | 37.50 |
| L-994 | Configure TK-2180-IS/3180-IS for Intrinsically Safe Must order an I.S. battery, KNB-41NC-FM | 70.00 |
| L-1051 | TK-2180/3180 TFS INSTALLATION Note: KPG-89DK is required to program the TFS (Tactical Feature Set). KPG-89DK is no longer supported or distributed by Kenwood. TFS will not work with KPG-89DNK. | 100.00 |
| L-1611 | 180 Portable KCT-57MS Installation (for FleetSync®) | 20.00 |
| L-1619 | 180 Portable KWD-180MPT FIELD-UPGRADE (Must purchase KWD-180MPT separately) | NC |
| L-1624 | 180 Portable KWD-180TFS FIELD-UPGRADE (Must purchase KWD-180TFS separately) | NC |

| MPT FIRMWARE/ACCESSORIES/TUNING | | LIST |
|--|--|-------------|
| KWD-180MPT | MPT Trunking Field Upgrade Kit for 180-Series Must order L-1619 Note: Refer to 180-Series MPT Price Pages and 180-Series MPT In-Depth Technical Manuals for feature details (available from technical support). Not compatible with any other firmware options Radio does not retain all normal 180-Series conventional or LTR trunking features once the MPT option is installed. | 43.75 |
| L-1012 | Install MPT option in 180-Series radio | 16.67 |
| L-1013 | Network Level License ID for KPG-96D(N) 180-Series Programmer | 158.33 |
| L-1014 | Retrofit Install of MPT option in 180-Series radio For previously purchased 180-Series radios. Order L-1014 through LMR order desk/rep. Ship radios to attn: Kenwood LMR Tuning, Long Beach for installation. Include Kenwood order number for L-1014 provided by order desk & copy of company P.O. or P.O. number. Note: Only certain Serial Number Lots produced in late 2004 and later can be retrofitted - see 180-Series MPT Introduction Sales Bulletin for details | 85.00 |
| L-1061 | Install KCT-57MS (for MPT Emergency Call) | 20.00 |

[Table of Contents](#)

TK-3173

UHF Trunking & Conventional Compact Portable Radio



All 173 series portables include:

- Belt Clip (KBH-12)
- 2-PIN Connector Cap
- Instruction Manual
- Standard Warranty: 2 Years*

* All Accessories / options: 1 Year

Order packages to include Battery, Charger & Antenna, or purchase Battery, Charger, and Antenna separately.

GENERAL FEATURES

- 4 W, 450-490 MHz
- Conventional & LTR® Zones
- 8 Character Alphanumeric Aliases
- Backlit LCD
- Function / Status LCD Icons
- Transmit / Busy / Call Alert / Warn LED
- 4 Front Panel PF keys
- 3 Side PF Keys
- Orange Emergency / AUX Key
- 500 mW Audio Power
- Enhanced Kenwood Audio
- Companded Audio
- Encryption / ANI Board Control
- Easy Option Port (20-Pin)
- Emergency Call Features
- Emergency Man-Down Option
- QT / DQT
- DTMF Encode / Decode
- Special Alert Tone Patterns
- Call Key
- Time Out Timer
- Busy Channel Lockout
- LCD Battery Status Indicator
- Low Battery Alert
- Weather-sealed ACC Connector
- Speaker Mic Options
- Windows® Programming & Tuning
- Windows® Firmware Uploading
- Field Programming & Tuning
- Cloning

- MIL-STD-810 C/D/E/F/G
- MIL-STD "Driven-Rain"
- IP-54/55 Water & Dust Intrusion
- Intrinsically Safe Option*

CONVENTIONAL ZONES

- 128 Channels / 128 Zones
- QT / DQT
- Two-Tone Decode
- Single / Two-Tone Encode
- Operator Selectable Tone
- Single Priority Scan
- Single & Multi-Zone Scan
- List Scan
- Voice Inversion Scrambler Built-in
- VOX Ready
- Battery Saver

TRUNKED ZONES

- 250 GID / 128 Zones
- Kenwood LTR® Features

FleetSync®

- PTT ID Digital ANI
- Selective Call & Group Call
- Status Messaging
- Emergency Status
- Caller ID Display
- Short Text Messages
- PC Serial Interface

--- Must Order **L-1000** for Intrinsically Safe Option ---

* Approved for Classes I, II & III, Div. 1, Groups C, D, E, F, G and are also approved for non-Incendive use in Class I, Div. 2, Groups A, B, C, D hazardous locations.

| Li-ion VALUE PACKAGES | | | LIST |
|------------------------------|--|--|-------------|
|------------------------------|--|--|-------------|

| | | | |
|---------------|--------------------------|--|--------|
| TK-3173-SLKVP | Li-ion Value Pack | (TK-3173K + KNB-55L + KSC-25L + KRA-27M) | 521.30 |
| TK-3173-LKVP | Hi-Cap Li-ion Value Pack | (TK-3173K + KNB-57L + KSC-25L + KRA-27M) | 559.30 |

| PACKAGES | | | LIST |
|-----------------|--|--|-------------|
|-----------------|--|--|-------------|

| | | | |
|--------------|-----------------------|---|--------|
| TK-3173-NKP | Basic Package | (TK-3173K + KNB-56N + KSC-30 + KRA-27M) | 509.50 |
| TK-3173-SLKP | Standard Slim Package | (TK-3173K + KNB-55L + KSC-25 + KRA-27M) | 535.00 |
| TK-3173-LKP | Premium Package | (TK-3173K + KNB-57L + KSC-25 + KRA-27M) | 573.00 |

| RADIO | | | LIST |
|--------------|--|--|-------------|
|--------------|--|--|-------------|

| | | | |
|-----------|---|--|--------|
| TK-3173K | 450-490 MHz 4W, 128 CH / 128 Zone Conventional; 8 Character LCD, 4-key | | 399.00 |
| TK-3173K4 | 450-490 MHz 4W, 128 CH / 128 Zone Conventional; 8 Character LCD, 4 + 12-key | | 448.00 |

| ANTENNAS | | | LIST |
|-----------------|--|--|-------------|
|-----------------|--|--|-------------|

| | | | |
|---------|---|--|-------|
| KRA-23M | UHF Low-profile helical antenna 450-490 MHz | | 13.70 |
| KRA-27M | UHF whip antenna 440-490 MHz | | 14.00 |

| BATTERIES AND CHARGERS | | LIST |
|-------------------------------|---|-------------|
| KBP-5 | AA Alkaline Refillable Battery Pack (6 AA; 9V) cells not included | 49.00 |
| KNB-55L | 1480 mAh, Li-ion battery - requires KSC-25/25L/256K charger | 60.00 |
| KNB-56N | 1400 mAh, Ni-MH battery | 65.00 |
| KNB-57L | 2000 mAh, Li-ion battery - requires KSC-25/25L/256K charger | 98.00 |
| KNB-40LCV | 1950 mAh, Li-ion battery - requires KSC-25/25L/256K charger [Intrinsically Safe Option] | 112.00 |
| KSC-25L | 100~240 volt rapid rate single unit charger for KNB-35L/40LC(V)/55L/57L Li-ion Battery | 48.30 |
| KSC-25 | 110 volt Rapid rate single unit charger for KNB-25A/26N/35L/40LC(V)/55L/56N/57L | 62.00 |
| KSC-30 | 110 volt Regular rate single unit charger for KNB-25A/26N/56N | 31.50 |
| KSC-256K | Rapid rate 6-Unit charger for KNB-25A/26N/35L/40LC(V)/55L/56N/57L | 630.00 |
| KMB-30M | Wall Mount Bracket for KSC-326K/256K | 33.75 |
| KMB-16 | Six Unit Charger Adapter for the KSC-16/20/24/25/25L/30 chargers (chargers not included) | 173.00 |
| KMB-23 | Six Unit Charger Adapter for the KSC-16/20/24/25/25L/32 chargers (chargers not included) | 191.00 |
| KVC-3 | Vehicular charger adapter for the KSC-15/17/19/25L/30 chargers (chargers not included) | 63.00 |
| KVC-4 | Vehicular charger adapter for the KSC-16/18/20/24/25 chargers (chargers not included) | 84.00 |

| CARRYING ACCESSORIES | | LIST |
|-----------------------------|--|-------------|
| KLH-138 | Heavy-Duty Leather Case w/Swivel Belt Loop for 160/170/173/360 (Non DTMF keypad) | 49.00 |
| KLH-139 | Heavy-Duty Leather Case w/Swivel Belt Loop for 170/173 (w/ DTMF keypad) | 49.00 |
| KBH-12 | Spring action belt clip | 8.35 |
| KBH-13DS | Leather swivel belt loop with portable D-Ring attachment | 28.85 |
| KWR-1 | Water resistant bag | 29.85 |

| MICROPHONES & AUDIO ACCESSORIES | | LIST |
|--|---|-------------|
| KMC-48GPS | GPS Speaker Microphone | 265.00 |
| KMC-45 | MIL-SPEC, IP54/55 Speaker microphone (Built-in 2.5mm miniature earphone jack) [Intrinsically Safe Approval Accessory] | 86.00 |
| KMC-21 | Compact speaker microphone [Intrinsically Safe Approval Accessory] | 51.50 |
| KEP-2 | 2.5mm earphone kit for KMC-17/45 Speaker Mic [Intrinsically Safe Approved Accessory] | 52.50 |
| KHS-10-BH | Hvy-duty noise reduction behind-the-headset w/noise cancelling boom mic & in-line PTT [Intrinsically Safe Approved Accessory] | 368.00 |
| KHS-10-OH | Hvy-duty noise reduction over-the-headset w/noise cancelling boom mic & in-line PTT [Intrinsically Safe Approval Accessory] | 336.00 |
| KHS-7 | Single muff headset w/boom mic [Intrinsically Safe Approval Accessory] | 70.00 |
| KHS-7A | Lt. Wt Single muff headset w/boom mic & in-line PTT [Intrinsically Safe Approval Accessory] | 105.00 |
| KHS-8BL | Two-Wire palm mic w/earphone (black) | 103.25 |
| KHS-9BL | Three-Wire lapel mic w/earphone (black) | 166.00 |
| KHS-22 | Behind-the-Head Headset with flexible boom mic and in-line PTT single ear receiver (low profile wire head band) | 41.00 |
| KHS-23 | 2-Wire Cell-style Earbud Clip/PTT Palm Mic (medium duty) | 55.50 |
| KHS-25 | Headset w/ D-Ring Ear Hanger w/ PTT & Boom Mic | 24.50 |
| KHS-26 | Clip Mic w/earphone | 28.00 |
| KHS-27 | D-Ring Ear Hanger w/PTT & Mic | 24.50 |
| KHS-31 | C-Ring Ear Hanger w/PTT & Mic | 30.00 |

| | |
|-----------------------|-------------|
| OPTION MODULES | LIST |
|-----------------------|-------------|

| | | |
|----------|---|-------|
| KCT-57MS | Man-Down Internal Tilt Switch (Non-Mercury) [Intrinsically Safe Approved Accessory] - Must be Kenwood installed for I.S. Order L-1609 for FleetSync® operations | 22.00 |
|----------|---|-------|

| | |
|------------------------------------|-------------|
| SERVICE RELATED ACCESSORIES | LIST |
|------------------------------------|-------------|

| | | |
|------------|---|--------|
| KPG-101DNK | Windows® Programming Software for TK-2170/3170/3173 (Compliant with FCC Part 90 Narrowbanding) Note: Self-programming function is not available. | 103.25 |
| KPG-22UM | USB Programming interface cable | 158.50 |

| | |
|--------------------------------------|-------------|
| INSTALLATION / TUNING CHARGES | LIST |
|--------------------------------------|-------------|

| | | |
|--------|--|-------|
| L-836 | Assemble KMB-16 with six KSC-25/25L | 15.00 |
| L-961 | Assemble KMB-23 with six KSC-24/25/25L/32 (Rapid Rate, 120 Volt versions only) | 17.00 |
| L-993 | TK-3173 Programming (with basic TX/RX check) | 37.50 |
| L-1001 | Configure TK-3173 for Intrinsically Safe | 70.00 |
| L-1609 | 170/173 Portable KCT-57MS Installation (for FleetSync®) | 20.00 |

[Table of Contents](#)

TK-2360 / 3360
Compact VHF / UHF FM Portable Radios



All 360 series portables include:

- Belt Clip (KBH-12)
- 2-PIN Connector Cap
- Instruction Manual
- Standard Warranty: 2 Years*

* All Accessories / options: 1 Year

Order packages to include Battery, Charger & Antenna, or purchase Battery, Charger, and Antenna separately.

GENERAL FEATURES

- 5W (136-174 MHz)
- 5W (450-520, 400-470 MHz)
- 16 Conventional Channels
- Single Priority / Normal Scan
- Transmit / Busy / Call Alert / Scan / Warn LED
- 4-Color LED (Blue/Red/Green/Orange)
- 3 PF Keys (w/Hold Function)
- Orange Emergency / AUX Key
- 500 mW Audio Power
- Enhanced Kenwood Audio
- Companded Audio (per CH)
- Voice CH# Announcement
- VOX ready
- Voice Inversion Scrambler Built-in
- 16 Scrambler Codes (per CH)
- Emergency Call Features
- Emergency Man-Down Option
- Lone Worker Alert
- QT / DQT
- Two-Tone Decode
- Single / Two-Tone Encode
- DTMF Encode / Decode

- Special Alert Tone Pattern
- Time Out Timer
- Busy Channel Lockout
- Low Battery Warning
- Battery Saver
- Windows Programming & Tuning
- Password Protection
- MIL-STD-810 C/D/E/F/G
- IP-54/55 Water & Dust Intrusion
- Intrinsically Safe Option*

FleetSync®

- PTT ID Digital ANI
- Selective Call & Group Call
- Paging Call
- Status Messaging
- Emergency Status

MDC-1200

- PTT ID Digital ANI
- Emergency Status
- Radio Check
- Radio Inhibit

--- Must Order **L-1716** for Intrinsically Safe Option ---

* Approved for Classes I, II & III, Div. 1, Groups C, D, E, F, G and are also approved for non-Incendive use in Classes I, II & III, Div. 2, Groups A, B, C, D, F, G hazardous locations.

Li-ion VALUE PACKAGES

LIST

| | | | |
|---------------|------------------------------|--|--------|
| TK-2360-SLKVP | VHF Li-ion Value Pack | (TK-2360K + KNB-55L + KSC-25L + KRA-26M) | 333.30 |
| TK-2360-LKVP | VHF Hi-Cap Li-ion Value Pack | (TK-2360K + KNB-57L + KSC-25L + KRA-26M) | 371.30 |
| TK-3360-SLKVP | UHF Li-ion Value Pack | (TK-3360K + KNB-55L + KSC-25L + KRA-27M) | 349.80 |
| TK-3360-LKVP | UHF Hi-Cap Li-ion Value Pack | (TK-3360K + KNB-57L + KSC-25L + KRA-27M) | 387.80 |

PACKAGES

LIST

| | | | |
|--------------|---------------------------|---|--------|
| TK-2360-NKP | VHF Basic Package | (TK-2360K + KNB-56N + KSC-30 + KRA-26M) | 321.50 |
| TK-2360-SLKP | VHF Standard Slim Package | (TK-2360K + KNB-55L + KSC-25 + KRA-26M) | 347.00 |
| TK-2360-LKP | VHF Premium Package | (TK-2360K + KNB-57L + KSC-25 + KRA-26M) | 385.00 |
| TK-3360-NKP | UHF Basic Package | (TK-3360K + KNB-56N + KSC-30 + KRA-27M) | 338.00 |
| TK-3360-SLKP | UHF Standard Slim Package | (TK-3360K + KNB-55L + KSC-25 + KRA-27M) | 363.50 |
| TK-3360-LKP | UHF Premium Package | (TK-3360K + KNB-57L + KSC-25 + KRA-27M) | 401.50 |

RADIO

LIST

| | | |
|-----------|------------------------------------|--------|
| TK-2360K | 136-174 MHz 5W, 16 CH Conventional | 211.00 |
| TK-3360K | 450-520 MHz 5W, 16 CH Conventional | 227.50 |
| TK-3360K2 | 400-470 MHz 5W, 16 CH Conventional | 227.50 |

SGS US I.S. APPROVED MODELS

LIST

Must Order L-1716 & an Intrinsically Safe Battery per radio

| | | |
|---------------|------------------------------------|--------|
| TK-2360-ISK | 136-174 MHz 5W, 16 CH Conventional | 211.00 |
| TK-3360-ISK | 450-520 MHz 5W, 16 CH Conventional | 227.50 |
| TK-3360-ISKK2 | 400-470 MHz 5W, 16 CH Conventional | 227.50 |

| ANTENNAS | | LIST |
|-----------------|---|-------------|
| KRA-22M | VHF Low-profile helical antenna 148-162 MHz | 13.70 |
| KRA-22M2 | VHF Low-profile helical antenna 162-174 MHz | 13.70 |
| KRA-22M3 | VHF Low-profile helical antenna 136-150 MHz | 13.70 |
| KRA-23M | UHF Low-profile helical antenna 450-490 MHz | 13.70 |
| KRA-23M2 | UHF Low-profile helical antenna 470-512 MHz | 13.70 |
| KRA-23M3 | UHF Low-profile helical antenna 403-430 MHz | 13.70 |
| KRA-26M | VHF helical antenna 146-162 MHz | 14.00 |
| KRA-26M2 | VHF helical antenna 162-174 MHz | 14.00 |
| KRA-26M3 | VHF helical antenna 136-150 MHz | 14.00 |
| KRA-27M | UHF whip antenna 440-490 MHz | 14.00 |
| KRA-27M2 | UHF whip antenna 470-520 MHz | 14.00 |
| KRA-27M3 | UHF whip antenna 400-450 MHz | 14.00 |

| BATTERIES AND CHARGERS | | LIST |
|-------------------------------|---|-------------|
| KBP-5 | AA Alkaline Refillable Battery Pack (6 AA; 9V) cells not included | 49.00 |
| KNB-40LCV | 1950 mAh, Li-ion battery - requires KSC-25/25L/256K charger [Intrinsically Safe Option] | 112.00 |
| KNB-55L | 1480 mAh, Li-ion battery - requires KSC-25/25L/256K charger | 60.00 |
| KNB-56N | 1400 mAh, Ni-MH battery | 65.00 |
| KNB-57L | 2000 mAh, Li-ion battery - requires KSC-25/25L/256K charger | 98.00 |
| KSC-25L | 100-240 volt rapid rate single unit charger for KNB-35L/40LC(V)/55L/57L Li-ion Battery | 48.30 |
| KSC-25 | 110 volt Rapid rate single unit charger for KNB-25A/26N/35L/40LC(V)/55L/56N/57L | 62.00 |
| KSC-30 | 110 volt Regular rate single unit charger for KNB-25A/26N/56N | 31.50 |
| KSC-256K | Rapid rate 6-Unit charger for KNB-25A/26N/35L/40LC(V)/55L/56N/57L | 630.00 |
| KMB-30M | Wall Mount Bracket for KSC-326K/256K | 33.75 |
| KMB-16 | Six Unit Charger Adapter for the KSC-16/20/24/25/25L/30 chargers (chargers not included) | 173.00 |
| KMB-23 | Six Unit Charger Adapter for the KSC-16/20/24/25/25L/32 chargers (chargers not included) | 191.00 |
| KVC-3 | Vehicular charger adapter for the KSC-15/17/19/25L/30 chargers (chargers not included) | 63.00 |
| KVC-4 | Vehicular charger adapter for the KSC-16/18/20/24/25 chargers (chargers not included) | 84.00 |

| CARRYING ACCESSORIES | | LIST |
|-----------------------------|--|-------------|
| KLH-138 | Heavy-Duty Leather Case w/Swivel Belt Loop for 160/170/173/360 (Non DTMF keypad) | 49.00 |
| KBH-12 | Spring action belt clip | 8.35 |
| KBH-13DS | Leather swivel belt loop with portable D-Ring attachment | 28.85 |
| KWR-1 | Water resistant bag | 29.85 |

| MICROPHONES & AUDIO ACCESSORIES | | LIST |
|--|--|-------------|
| KMC-48GPS | GPS Speaker Microphone [Intrinsically Safe Approval Accessory] | 265.00 |
| KMC-45 | MIL-SPEC, IP54/55 Speaker microphone (Built-in 2.5mm miniature earphone jack) [Intrinsically Safe Approval Accessory] | 86.00 |
| KMC-21 | Compact speaker microphone [Intrinsically Safe Approval Accessory] | 51.50 |
| KEP-2 | 2.5mm earphone kit for KMC-17/45 Speaker Mic [Intrinsically Safe Approval Accessory] | 52.50 |
| KHS-10-BH | Hvy-duty noise reduction behind-the-headset w/noise cancelling boom mic & in-line PTT [Intrinsically Safe Approval Accessory] | 368.00 |
| KHS-10-OH | Hvy-duty noise reduction over-the-headset w/noise cancelling boom mic & in-line PTT [Intrinsically Safe Approval Accessory] | 336.00 |
| KHS-7 | Single muff headset w/boom mic [Intrinsically Safe Approval Accessory] | 70.00 |
| KHS-7A | Lt. Wt Single muff headset w/boom mic & in-line PTT [Intrinsically Safe Approval Accessory] | 105.00 |
| KHS-8BL | Two-Wire palm mic w/earphone (black) | 103.25 |
| KHS-9BL | Three-Wire lapel mic w/earphone (black) | 166.00 |
| KHS-22 | Behind-the-Head Headset with flexible boom mic and in-line PTT single ear receiver (low profile wire head band) | 41.00 |
| KHS-23 | 2-Wire Cell-style Earbud Clip/PTT Palm Mic (medium duty) | 55.50 |
| KHS-25 | Headset w/ D-Ring Ear Hanger w/ PTT & Boom Mic | 24.50 |
| KHS-26 | Clip Mic w/earphone | 28.00 |
| KHS-27 | D-Ring Ear Hanger w/PTT & Mic | 24.50 |
| KHS-31 | C-Ring Ear Hanger w/PTT & Mic | 30.00 |

| OPTION MODULES | | LIST |
|-----------------------|---|-------------|
| KCT-57MS | Man-Down Internal Tilt Switch (Non-Mercury) [Intrinsically Safe Approved Accessory]- Must be Kenwood installed for I.S. Order L-1679 for FleetSync® operations | 22.00 |

| SERVICE RELATED ACCESSORIES | | LIST |
|------------------------------------|--|-------------|
| KPG-128DNK | Windows® Programming Software for TK-2360/3360 (Compliant with FCC Part 90 Narrowbanding) | 103.25 |
| KPG-22UM | USB Programming interface cable | 158.50 |

| INSTALLATION / TUNING CHARGES | | LIST |
|--------------------------------------|--|-------------|
| L-836 | Assemble KMB-16 with six KSC-25/25L | 15.00 |
| L-961 | Assemble KMB-23 with six KSC-24/25/25L/32 (Rapid Rate, 120 Volt versions only) | 17.00 |
| L-1678 | TK-2360/3360 Programming (with basic TX/RX check) | 37.50 |
| L-1679 | TK-2360/3360 Portable KCT-57MS Installation (for FleetSync®/MDC) | 20.00 |
| L-1716 | Configure TK-2360/3360 for Intrinsically Safe Must Order an I.S. Battery | 70.00 |

TK-2312 / 3312
VHF/UHF Conventional Portable Radios



All 312 series portables include:

- Li-ion Battery (KNB-45L)
- Fast Charger (KSC-35SK)
- Antenna [KRA-26M (VHF)/27M (UHF)]
- Belt Clip (KBH-10)
- 2-PIN Connector Cap
- Instruction Manual
- Standard Warranty: 2 Years*

* All Accessories / options: 1 Year

GENERAL FEATURES

- 5 W (136-174 MHz) Model
- 5 W (450-520, 400-470 MHz) Models
- Conventional Zones
- 128 Channels / 128 Zones
- Single Priority Scan
- Single & Multi-Zone Scan
- 8 Character Alphanumeric Aliases
- Backlit LCD
- Function / Status LCD Icons
- RSSI Indicator
- Transmit / Busy / Call Alert / Warn LED
- 4-Color LED (Blue/Red/Green/Orange)
- 7 Front Panel PF keys
- 2 Side PF Keys
- 500 mW Audio Power
- Enhanced Kenwood Audio
- Companded Audio (per CH)
- VOX Ready
- Voice Inversion Scrambler Built-in
- 16 Scrambler Codes (per CH)
- Emergency Call Features
- Lone Worker Alert
- QT / DQT
- Two-Tone Decode
- Single / Two-Tone Encode
- Operator Selectable Tone
- DTMF Encode / Decode
- FleetSync®/MDC-1200 (per Zone)

- Special Alert Tone Pattern
- Call Key
- Time Out Timer
- Busy Channel Lockout
- LCD Battery Status Indicator
- Low Battery Alert
- Battery Saver
- Windows® Programming & Tuning
- Wireless Cloning
- Password Protection
- MIL-STD-810 C/D/E/F/G
- IP-54/55 Water & Dust Intrusion

FleetSync®

- PTT ID Digital ANI
- Selective Call & Group Call
- Status Messaging
- Emergency Status
- Caller ID Display
- Short Text Messages
- Send GPS Data (KMC-48GPS)
- PTT ID & Emergency GPS Reporting
- Status Message Block GPS Reporting

MDC-1200

- PTT ID Digital ANI
- Caller ID Display
- Emergency Status
- Radio Check
- Radio Inhibit

| RADIO | | LIST |
|--------------|---------------------------------|-------------|
| TK-2312K | 136-174 MHz VHF 5W, 128 Ch. [1] | 350.00 |
| TK-3312K | 450-520 MHz UHF 5W, 128 Ch. [2] | 350.00 |
| TK-3312K2 | 400-470 MHz UHF 5W, 128 Ch. [2] | 350.00 |

[1] Comes with KRA-26M 146-162 MHz antenna specify other if needed

[2] Comes with KRA-27M 440-490 MHz antenna; specify other if needed

| ANTENNAS | | LIST |
|-----------------|---|-------------|
| KRA-16M | VHF stubby antenna 148-162 MHz | 13.70 |
| KRA-16M2 | VHF stubby antenna 162-174 MHz | 13.70 |
| KRA-16M3 | VHF stubby antenna 136-150 MHz | 13.70 |
| KRA-17M | UHF stubby antenna 450-490 MHz | 13.70 |
| KRA-17M2 | UHF stubby antenna 470-512 MHz | 13.70 |
| KRA-17M3 | UHF stubby antenna 403-430 MHz | 13.70 |
| KRA-22M | VHF Low-profile helical antenna 148-162 MHz | 13.70 |
| KRA-22M2 | VHF Low-profile helical antenna 162-174 MHz | 13.70 |
| KRA-22M3 | VHF Low-profile helical antenna 136-150 MHz | 13.70 |
| KRA-23M | UHF Low-profile helical antenna 450-490 MHz | 13.70 |
| KRA-23M2 | UHF Low-profile helical antenna 470-512 MHz | 13.70 |
| KRA-23M3 | UHF Low-profile helical antenna 403-430 MHz | 13.70 |
| KRA-26M | VHF helical antenna 146-162 MHz | 14.00 |
| KRA-26M2 | VHF helical antenna 162-174 MHz | 14.00 |
| KRA-26M3 | VHF helical antenna 136-150 MHz | 14.00 |
| KRA-27M | UHF whip antenna 440-490 MHz | 14.00 |
| KRA-27M2 | UHF whip antenna 470-520 MHz | 14.00 |
| KRA-27M3 | UHF whip antenna 400-450 MHz | 14.00 |

| BATTERIES AND CHARGERS | | LIST |
|-------------------------------|--|-------------|
| KNB-45L | 2000 mAh, Li-ion battery - requires KSC-35K/E/SK charger | 63.00 |
| KNB-29N | 1500 mAh, NiMH battery - requires KSC-31K/E charger | 36.75 |
| KSC-35SK | 110~220 volt Fast rate single unit charger for KNB-45L Li-ion battery | 31.50 |
| KSC-31K | 110 volt Fast rate single unit charger for KNB-29N | 31.50 |
| KMB-28 | Six Unit Charger Adapter for the KSC-23BK/28/35SK chargers (chargers not included) Note: The six KSC-xx AC wall Adapters are NOT used in the KMB-28 installation A supplied in-line AC-DC switching power supply with six DC plugs supply the six installed KSC-xx charger bases. This unit is lower profile and less weight than similar Kenwood six unit charger adapters. Dimensions: 10.6(W) x 2.4(H) x 9.5(D) inches, Weight: approx. 10 lbs. (loaded with chargers/radios) | 208.50 |
| KVC-22 | 110~220 volt Fast rate DC vehicular charger adapter for KSC-35SK charger & KNB-45L Li-ion battery (charger not included) | 36.70 |

| CARRYING ACCESSORIES | | LIST |
|-----------------------------|--|-------------|
| KBH-10 | Spring action belt clip | 8.35 |
| KBH-8DS | Leather swivel belt loop with portable D-Ring attachment | 26.30 |
| KLH-6SW | Leather swivel belt loop / detachable swivel D-Ring back | 22.00 |
| KLH-178 | Heavy duty leather carrying case for TK-2312/3312 | 44.25 |
| KWR-1 | Water resistant bag | 29.85 |

| MICROPHONES & AUDIO ACCESSORIES | | LIST |
|--|---|-------------|
| KMC-48GPS | GPS Speaker Microphone | 265.00 |
| KMC-45 | MIL-SPEC, IP54/55 Speaker microphone (Built-in 2.5mm miniature earphone jack) | 86.00 |
| KMC-21 | Compact speaker microphone | 51.50 |
| KEP-2 | 2.5mm earphone kit for KMC-17/45 Speaker Mic | 52.50 |
| KHS-10-BH | Hvy-duty noise reduction behind-the-headset w/noise cancelling boom mic & in-line PTT | 368.00 |
| KHS-10-OH | Hvy-duty noise reduction over-the-headset w/noise cancelling boom mic & in-line PTT | 336.00 |
| KHS-7 | Single muff headset w/boom mic | 70.00 |
| KHS-7A | Lt. Wt Single muff headset w/boom mic & in-line PTT | 105.00 |
| KHS-8BL | Two-Wire palm mic w/earphone (black) | 103.25 |
| KHS-9BL | Three-Wire lapel mic w/earphone (black) | 166.00 |
| KHS-22 | Behind-the-Head Headset with flexible boom mic and in-line PTT single ear receiver (low profile wire head band) | 41.00 |
| KHS-23 | 2-Wire Cell-style Earbud Clip/PTT Palm Mic (medium duty) | 55.50 |
| KHS-25 | Headset w/ D-Ring Ear Hanger w/ PTT & Boom Mic | 24.50 |
| KHS-26 | Clip Mic w/earphone | 28.00 |
| KHS-27 | D-Ring Ear Hanger w/PTT & Mic | 24.50 |
| KHS-31 | C-Ring Ear Hanger w/PTT & Mic | 30.00 |

| SERVICE RELATED ACCESSORIES | | LIST |
|------------------------------------|--|-------------|
| KPG-22UM | USB Programming interface cable | 158.50 |
| KPG-134DNK | Windows® Programming Software for TK-2312/3312 (Compliant with FCC Part 90 Narrowbanding) Note: Self-programming function is not available. | 103.25 |

| INSTALLATION / TUNING CHARGES | | LIST |
|--------------------------------------|---|-------------|
| L-1688 | TK-2312/3312 Programming (with basic TX/RX check) | 37.50 |

TK-2400 / 3400

VHF/UHF Conventional Portable Radios



All 400 series portables include:

- Li-ion Battery (KNB-45L)
- Fast Charger (KSC-35SK)
- Antenna [KRA-26M(VHF)/27M(UHF)]
- Belt Clip (KBH-10)
- 2-PIN Connector Cap
- Instruction Manual
- Standard Warranty: 2 Years*

* All Accessories / options: 1 Year

GENERAL FEATURES

- 2 W (136-174 MHz) VHF
- 2 W (450-520 MHz) UHF
- 4 & 16 Channel Models
- Single Priority / Normal Scan
- Transmit / Busy / Call Alert Scan / Warn LED
- 4-Color LED (Blue/Red/Green/Orange)
- 2 PF Keys
- 1.0 W Speaker Audio
- Enhanced Kenwood Audio
- Companded Audio (per CH)
- Voice Annunciation
- VOX Ready
- Voice Inversion Scrambler Built-in
- 16 Scrambler Codes (per CH)
- Emergency Call Features
- Lone Worker Alert (per CH)
- QT / DQT
- Two-Tone Decode
- Single / Two-Tone Encode
- DTMF Encode / Decode

- Special Alert Tone Pattern
- Time Out Timer
- Busy Channel Lockout
- Low Battery Warning
- Battery Saver
- Windows® Programming & Tuning
- Wireless Cloning
- Password Protection
- MIL-STD-810 C/D/E/F/G
- IP-54/55 Water & Dust Intrusion

FleetSync®

- PTT ID Digital ANI
- Selective Call & Group Call
- Paging Call
- Emergency Status
- Send GPS Data (KMC-48GPS)

MDC-1200

- PTT ID Digital ANI
- Emergency Status
- Radio Check
- Radio Inhibit

| RADIO | | LIST |
|--------------|----------------------------|-------------|
| TK-2400K | 136-174 MHz VHF 2W, 4 Ch. | 250.00 |
| TK-2400K2 | 136-174 MHz VHF 2W, 16 Ch. | 267.00 |
| TK-3400K | 450-520 MHz UHF 2W, 4 Ch. | 267.00 |
| TK-3400K2 | 450-520 MHz UHF 2W, 16 Ch. | 284.00 |

| ANTENNAS | | LIST |
|-----------------|---|-------------|
| KRA-41M | VHF stubby antenna 148-162 MHz | 13.70 |
| KRA-41M2 | VHF stubby antenna 162-174 MHz | 13.70 |
| KRA-41M3 | VHF stubby antenna 136-150 MHz | 13.70 |
| KRA-42M | UHF stubby antenna 440-490 MHz | 13.70 |
| KRA-42M2 | UHF stubby antenna 470-520 MHz | 13.70 |
| KRA-22M | VHF low profile antenna 148-162 MHz | 13.70 |
| KRA-22M2 | VHF low profile antenna 162-174 MHz | 13.70 |
| KRA-22M3 | VHF Low-profile helical antenna 136-150 MHz | 13.70 |
| KRA-23M | UHF low profile antenna 450-490 MHz | 13.70 |
| KRA-23M2 | UHF low profile antenna 470-520 MHz | 13.70 |
| KRA-26M | VHF helical antenna 146-162 MHz | 14.00 |
| KRA-26M2 | VHF helical antenna 162-174 MHz | 14.00 |
| KRA-26M3 | VHF helical antenna 136-150 MHz | 14.00 |
| KRA-27M | UHF whip antenna 440-490 MHz | 14.00 |
| KRA-27M2 | UHF whip antenna 470-520 MHz | 14.00 |

| BATTERIES AND CHARGERS | | LIST |
|-------------------------------|---|-------------|
| KNB-45L | 2000 mAh, Li-ion battery - requires KSC-35K/SK charger | 63.00 |
| KNB-69L | 2550 mAh, Li-ion battery - requires KSC-35K/SK charger [APR Available] | 75.00 |
| KNB-29N | 1500 mAh, NiMH battery - requires KSC-43K charger | 36.75 |
| KSC-35SK | 110~220 volt Fast rate single unit charger for KNB-45L/69L | 31.50 |
| KSC-43K | 110~220 volt Fast rate single unit charger for KNB-29N/45L/69L [FEB Available] | 36.70 |

BATTERIES AND CHARGERS - CONT'D

LIST

| | | |
|--------|---|--------|
| KMB-28 | Six Unit Charger Adapter for the KSC-23BK/28/35SK chargers (chargers not included) Note: The six KSC-xx AC wall Adapters are NOT used in the KMB-28 installation A supplied in-line AC-DC switching power supply with six DC plugs supply the six installed KSC-xx charger bases. This unit is lower profile and less weight than similar Kenwood six unit charger adapters. Dimensions: 10.6(W) x 2.4(H) x 9.5(D) inches, Weight: approx. 10 lbs. (loaded with chargers/radios) | 208.50 |
| KVC-22 | 110~220 volt Fast rate DC vehicular charger adapter for KSC-35SK charger & KNB-45L Li-ion battery (charger not included) | 36.70 |

CARRYING ACCESSORIES

LIST

| | | |
|---------|--|-------|
| KBH-10 | Spring action belt clip | 8.35 |
| KBH-8DS | Leather swivel belt loop with portable D-Ring attachment | 26.30 |
| KLH-6SW | Leather swivel belt loop / detachable swivel D-Ring back | 22.00 |
| KLH-187 | Nylon case for TK-*200/*202/*300/*302/*400/*402 Series | 14.70 |

MICROPHONES & AUDIO ACCESSORIES

LIST

| | | |
|-----------|--|--------|
| KMC-48GPS | GPS Speaker Microphone | 265.00 |
| KMC-45 | MIL-SPEC, IP54/55 Speaker microphone (Built-in 2.5mm miniature earphone jack) | 86.00 |
| KMC-21 | Compact speaker microphone | 51.50 |
| KEP-2 | 2.5mm earphone kit for KMC-17/45 Speaker Mic | 52.50 |
| KHS-10-BH | Hvy-duty noise reduction behind-the-headset w/noise cancel boom mic /in-line PTT | 368.00 |
| KHS-10-OH | Hvy-duty noise reduction over-the-headset w/noise cancel boom mic /in-line PTT | 336.00 |
| KHS-7 | Single muff headset w/boom mic | 70.00 |
| KHS-7A | Lt. Wt Single muff headset w/boom mic & in-line PTT | 105.00 |
| KHS-8BL | Two-Wire palm mic w/earphone (black) | 103.25 |
| KHS-9BL | Three-Wire lapel mic w/earphone (black) | 166.00 |
| KHS-22 | Behind-the-Head Headset with flexible boom mic and in-line PTT single ear receiver | 41.00 |
| KHS-23 | 2-Wire Cell-style Earbud Clip/PTT Palm Mic (medium duty) | 55.50 |
| KHS-25 | Headset w/ D-Ring Ear Hanger w/ PTT & Boom Mic | 24.50 |
| KHS-26 | Clip Mic w/earphone | 28.00 |
| KHS-27 | D-Ring Ear Hanger w/PTT & Mic | 24.50 |
| KHS-31 | C-Ring Ear Hanger w/PTT & Mic | 30.00 |

SERVICE RELATED ACCESSORIES

LIST

| | | |
|-----------|--|--------|
| KPG-22UM | USB Programming interface cable | 158.50 |
| KPG-160DK | Windows® Programming Software for TK-2400/3400 | 103.25 |

INSTALLATION / TUNING CHARGES

LIST

| | | |
|--------|---|-------|
| L-1757 | TK-2400/3400 Programming (with basic TX/RX check) | 37.50 |
|--------|---|-------|

ProTalk

TK-2400VP / 3400UP VHF/UHF BRS Portable Radios

[Table of Contents](#)



All 400P series portables include:

- Li-ion Battery (KNB-45L)
- Fast Charger (KSC-35SK)
- Antenna [KRA-26M(VHF)/27M(UHF)]
- Belt Clip (KBH-10)
- 2-PIN Connector Cap
- Instruction Manual
- Standard Warranty: 2 Years*

* All Accessories / options: 1 Year

GENERAL FEATURES

- 2 W (151-159 MHz) VHF
- 2 W (451-470 MHz) UHF
- 4 & 16 Channel Models
- 90 UHF & 27 VHF
- Pre-programmed Banked Frequencies
- Normal Scan
- Transmit / Busy / Call Alert / Scan / Warn LED
- 2 PF Keys
- Super Lock (Manager Key Lock)
- 1.0 W Speaker Audio
- Enhanced Kenwood Audio
- Companded Audio
- Voice Announcement
- Channel Confirmation Mode
- VOX Ready
- Voice Inversion Scrambler Built-in
- QT / DQT
- 10 Call Alerting Tones

- Time Out Timer
- Low Battery Warning
- Battery Saver
- Windows® Programming & Tuning
- Wireless Cloning
- Password Protection
- MIL-STD-810 C/D/E/F/G
- IP-54/55 Water & Dust Intrusion

| RADIO | | LIST |
|--------------|----------------------------|-------------|
| TK-2400V4P | 151-159 MHz VHF 2W, 4 Ch. | 247.00 |
| TK-2400V16P | 151-159 MHz VHF 2W, 16 Ch. | 264.00 |
| TK-3400U4P | 451-470 MHz UHF 2W, 4 Ch. | 264.00 |
| TK-3400U16P | 451-470 MHz UHF 2W, 16 Ch. | 275.00 |

| ANTENNAS | | LIST |
|-----------------|-------------------------------------|-------------|
| KRA-41M | VHF stubby antenna 148-162 MHz | 13.70 |
| KRA-42M | UHF stubby antenna 440-490 MHz | 13.70 |
| KRA-22M | VHF low profile antenna 148-162 MHz | 13.70 |
| KRA-23M | UHF low profile antenna 450-490 MHz | 13.70 |
| KRA-26M | VHF helical antenna 146-162 MHz | 14.00 |
| KRA-27M | UHF whip antenna 440-490 MHz | 14.00 |

| BATTERIES AND CHARGERS | | LIST |
|-------------------------------|---|-------------|
| KNB-45L | 2000 mAh, Li-ion battery - requires KSC-35K/SK charger | 63.00 |
| KNB-69L | 2550 mAh, Li-ion battery - requires KSC-35K/SK charger [APR Available] | 75.00 |
| KNB-29N | 1500 mAh, NiMH battery - requires KSC-43K charger | 36.75 |
| KSC-35SK | 110~220 volt Fast rate single unit charger for KNB-45L/69L | 31.50 |
| KSC-43K | 110~220 volt Fast rate single unit charger for KNB-29N/45L/69L [FEB Available] | 36.70 |
| KMB-28 | Six Unit Charger Adapter for the KSC-23BK/28/35SK chargers (chargers not included) Note: The six KSC-xx AC wall Adapters are NOT used in the KMB-28 installation A supplied in-line AC-DC switching power supply with six DC plugs supply the six installed KSC-xx charger bases. This unit is lower profile and less weight than similar Kenwood six unit charger adapters. Dimensions: 10.6(W) x 2.4(H) x 9.5(D) inches, Weight: approx. 10 lbs. (loaded with chargers/radios) | 208.50 |
| KVC-22 | 110~220 volt Fast rate DC vehicular charger adapter for KSC-35SK charger | 36.70 |

| CARRYING ACCESSORIES | | LIST |
|-----------------------------|--|-------------|
| KBH-10 | Spring action belt clip | 8.35 |
| KBH-8DS | Leather swivel belt loop with portable D-Ring attachment | 26.30 |
| KLH-6SW | Leather swivel belt loop / detachable swivel D-Ring back | 22.00 |
| KLH-187 | Nylon case for TK-*200/*202/*300/*302/*400/*402 Series | 14.70 |

| MICROPHONES & AUDIO ACCESSORIES | | LIST |
|--|--|-------------|
| KEP-2 | 2.5mm earphone kit for KMC-17/45 Speaker Mic | 52.50 |
| KHS-10-BH | Hvy-duty noise reduction behind-the-headset w/noise cancel boom mic /in-line PTT | 368.00 |
| KHS-10-OH | Hvy-duty noise reduction over-the-headset w/noise cancel boom mic /in-line PTT | 336.00 |
| KHS-22 | Behind-the-Head Headset with flexible boom mic and in-line PTT single ear | 41.00 |
| KHS-23 | 2-Wire Cell-style Earbud Clip/PTT Palm Mic (medium duty) | 55.50 |
| KHS-25 | Headset w/ D-Ring Ear Hanger w/ PTT & Boom Mic | 24.50 |
| KHS-26 | Clip Mic w/earphone | 28.00 |
| KHS-27 | D-Ring Ear Hanger w/PTT & Mic | 24.50 |
| KHS-31 | C-Ring Ear Hanger w/PTT & Mic | 30.00 |
| KHS-7 | Single muff headset w/boom mic | 70.00 |
| KHS-7A | Lt. Wt Single muff headset w/boom mic & in-line PTT | 105.00 |
| KHS-8BL | Two-Wire palm mic w/earphone (black) | 103.25 |
| KHS-9BL | Three-Wire lapel mic w/earphone (black) | 166.00 |
| KMC-21 | Compact speaker microphone | 51.50 |
| KMC-45 | MIL-SPEC, IP54/55 Speaker microphone (Built-in 2.5mm miniature earphone jack) | 86.00 |

| SERVICE RELATED ACCESSORIES | | LIST |
|------------------------------------|--|-------------|
| KPG-22UM | USB Programming interface cable | 158.50 |
| KPG-160DK | Windows® Programming Software for TK-2400/3400 | 103.25 |

-- NOTES --

* Please see Kenwood's ProTalk® MAP (Minimum Advertised Price) policy.

[Table of Contents](#)

TK-2402VK / 3402UK

VHF/UHF Conventional Portable Radios



All 402 series portables include:

- Li-ion Battery (KNB-45L)
- Fast Charger (KSC-35SK)
- Antenna [KRA-26M(VHF)/27M(UHF)]
- Belt Clip (KBH-10)
- 2-PIN Connector Cap
- Channel Stopper
- Instruction Manual
- Standard Warranty: 2 Years*

* All Accessories / options: 1 Year

GENERAL FEATURES

- 5 W (136-174 MHz) VHF
- 5 W (450-520 MHz) UHF
- 16 Channels
- Single Priority / Normal Scan
- Transmit / Busy / Call Alert Scan / Warn LED
- 4-Color LED (Blue/Red/Green/Orange)
- 2 PF Keys
- 1.0 W Speaker Audio
- Enhanced Kenwood Audio
- Companded Audio (per CH)
- Voice Annunciation
- VOX Ready
- Voice Inversion Scrambler Built-in
- 16 Scrambler Codes (per CH)
- Emergency Call Features
- Lone Worker Alert (per CH)
- QT / DQT
- Two-Tone Decode
- Single / Two-Tone Encode
- DTMF Encode / Decode

- Special Alert Tone Pattern
- Time Out Timer
- Busy Channel Lockout
- Low Battery Warning
- Battery Saver
- Windows® Programming & Tuning
- Wireless Cloning
- Password Protection
- MIL-STD-810 C/D/E/F/G
- IP-54/55 Water & Dust Intrusion

FleetSync®

- PTT ID Digital ANI
- Selective Call & Group Call
- Paging Call
- Emergency Status
- Send GPS Data (KMC-48GPS)

MDC-1200

- PTT ID Digital ANI
- Emergency Status
- Radio Check
- Radio Inhibit

| RADIO | | LIST |
|--------------|----------------------------|-------------|
| TK-2402VK | 136-174 MHz VHF 5W, 16 Ch. | 284.00 |
| TK-3402UK | 450-520 MHz UHF 5W, 16 Ch. | 300.00 |

| ANTENNAS | | LIST |
|-----------------|---|-------------|
| KRA-41M | VHF stubby antenna 148-162 MHz | 13.70 |
| KRA-41M2 | VHF stubby antenna 162-174 MHz | 13.70 |
| KRA-41M3 | VHF stubby antenna 136-150 MHz | 13.70 |
| KRA-42M | UHF stubby antenna 440-490 MHz | 13.70 |
| KRA-42M2 | UHF stubby antenna 470-520 MHz | 13.70 |
| KRA-22M | VHF low profile antenna 148-162 MHz | 13.70 |
| KRA-22M2 | VHF low profile antenna 162-174 MHz | 13.70 |
| KRA-22M3 | VHF Low-profile helical antenna 136-150 MHz | 13.70 |
| KRA-23M | UHF low profile antenna 450-490 MHz | 13.70 |
| KRA-23M2 | UHF low profile antenna 470-520 MHz | 13.70 |
| KRA-26M | VHF helical antenna 146-162 MHz | 14.00 |
| KRA-26M2 | VHF helical antenna 162-174 MHz | 14.00 |
| KRA-26M3 | VHF helical antenna 136-150 MHz | 14.00 |
| KRA-27M | UHF whip antenna 440-490 MHz | 14.00 |
| KRA-27M2 | UHF whip antenna 470-520 MHz | 14.00 |

| BATTERIES AND CHARGERS | | LIST |
|-------------------------------|---|-------------|
| KNB-45L | 2000 mAh, Li-ion battery - requires KSC-35K/SK charger | 63.00 |
| KNB-69L | 2550 mAh, Li-ion battery - requires KSC-35K/SK charger [APR Available] | 75.00 |
| KNB-29N | 1500 mAh, NiMH battery - requires KSC-43K charger | 36.75 |
| KSC-35SK | 110~220 volt Fast rate single unit charger for KNB-45L/69L | 31.50 |
| KSC-43K | 110~220 volt Fast rate single unit charger for KNB-29N/45L/69L [FEB Available] | 36.70 |

BATTERIES AND CHARGERS - CONT'D

LIST

| | | |
|--------|---|--------|
| KMB-28 | Six Unit Charger Adapter for the KSC-23BK/28/35SK chargers (chargers not included) Note: The six KSC-xx AC wall Adapters are NOT used in the KMB-28 installation A supplied in-line AC-DC switching power supply with six DC plugs supply the six installed KSC-xx charger bases. This unit is lower profile and less weight than similar Kenwood six unit charger adapters. Dimensions: 10.6(W) x 2.4(H) x 9.5(D) inches, Weight: approx. 10 lbs. (loaded with chargers/radios) | 208.50 |
| KVC-22 | 110~220 volt Fast rate DC vehicular charger adapter for KSC-35SK charger & KNB-45L Li-ion battery (charger not included) | 36.70 |

CARRYING ACCESSORIES

LIST

| | | |
|---------|--|-------|
| KBH-10 | Spring action belt clip | 8.35 |
| KBH-8DS | Leather swivel belt loop with portable D-Ring attachment | 26.30 |
| KLH-6SW | Leather swivel belt loop / detachable swivel D-Ring back | 22.00 |
| KLH-187 | Nylon case for TK-*200/*202/*300/*302/*400/*402 Series | 14.70 |

MICROPHONES & AUDIO ACCESSORIES

LIST

| | | |
|-----------|--|--------|
| KMC-48GPS | GPS Speaker Microphone | 265.00 |
| KMC-45 | MIL-SPEC, IP54/55 Speaker microphone (Built-in 2.5mm miniature earphone jack) | 86.00 |
| KMC-21 | Compact speaker microphone | 51.50 |
| KEP-2 | 2.5mm earphone kit for KMC-17/45 Speaker Mic | 52.50 |
| KHS-10-BH | Hvy-duty noise reduction behind-the-headset w/noise cancel boom mic /in-line PTT | 368.00 |
| KHS-10-OH | Hvy-duty noise reduction over-the-headset w/noise cancel boom mic /in-line PTT | 336.00 |
| KHS-7 | Single muff headset w/boom mic | 70.00 |
| KHS-7A | Lt. Wt Single muff headset w/boom mic & in-line PTT | 105.00 |
| KHS-8BL | Two-Wire palm mic w/earphone (black) | 103.25 |
| KHS-9BL | Three-Wire lapel mic w/earphone (black) | 166.00 |
| KHS-22 | Behind-the-Head Headset with flexible boom mic and in-line PTT single ear receiver | 41.00 |
| KHS-23 | 2-Wire Cell-style Earbud Clip/PTT Palm Mic (medium duty) | 55.50 |
| KHS-25 | Headset w/ D-Ring Ear Hanger w/ PTT & Boom Mic | 24.50 |
| KHS-26 | Clip Mic w/earphone | 28.00 |
| KHS-27 | D-Ring Ear Hanger w/PTT & Mic | 24.50 |
| KHS-31 | C-Ring Ear Hanger w/PTT & Mic | 30.00 |

SERVICE RELATED ACCESSORIES

LIST

| | | |
|------------|--|--------|
| KPG-22UM | USB Programming interface cable | 158.50 |
| KPG-159DNK | Windows® Programming Software for TK-2402VK/3402UK (Compliant with FCC Part 90 Narrowbanding) | 103.25 |

INSTALLATION / TUNING CHARGES

LIST

| | | |
|--------|---|-------|
| L-1756 | TK-2402VK/3402UK Programming (with basic TX/RX check) | 37.50 |
|--------|---|-------|

ProTalk

ProTalk® XLS TK-3230
 UHF BRS Portable Radio

[Table of Contents](#)



XLS series portable includes:

- Spring action belt clip
- Rapid Rate Drop-in charger
- Fixed Antenna
- 2000 mAh Li-ion Battery
- Instruction Manual
- Standard Warranty: 2 Years*

* All Accessories / options: 1 Year

GENERAL FEATURES

- UHF 1.5 Watt or 500 mW Transmit Power
- Extra Durable Polycarbonate Housing
- Small (2 1/16" W x 1 1/8" D x 4 1/16" H) & Lightweight (5.5 oz)
- Li-Ion battery with over 14 Hours Talk Time (5/5/90 duty cycle)
- Over 18 Hours Talk Time (with Battery Save On) 5/5/90 duty cycle
- 6 Channel Operation (factory pre-set)
- 64 User-Programmable Memory Bank Frequencies
- Channel Scan
- Wireless Cloning Mode
- Key Lock/Super Lock
- User Programmable QT (39) and DQT (83) Signaling
- 10 Call Alert Tones
- Voice Scrambler
- Speaker Mute Function
- Compander
- SelCall (for Caller ID)
- LCD Battery Meter & Low Battery Alert
- VOX (Voice-activated transmit) w/3 Sensitivity Levels
- Time Out Timer
- 2 Color Transmit / Busy LED/ Backlit LCD Display
- 3 Function Keys: Menu, Call, Monitor
- Audio Accessory Jack
- Antenna (fixed non-removable)
- Passes 8 Rugged Mil-Spec 810 C, D, E, F & G Standards

| RADIO | | LIST |
|--------------|--|-------------|
| TK-3230K | 464-467 MHz UHF 1.5W or 500 mW, 6 Ch. Portable Transceiver | 225.00 |

| BATTERIES AND CHARGERS | | LIST |
|-------------------------------|---|-------------|
| KNB-46L | Li-Ion battery (Same as supplied with TK-3230) | 47.25 |
| KSC-37 | Li-Ion Rapid rate charger (Same as supplied with TK-3230) | 31.50 |
| KMB-27 | Six Unit Charger Adapter for the KSC-28/37 chargers (chargers not included) <small>Note: The six KSC-xx AC wall Adapters are NOT used in the KMB-27 installation A supplied in-line AC-DC switching power supply with six DC plugs supply the six installed KSC-xx charger bases. This unit is lower profile and less weight than similar Kenwood six unit charger adapters. Dimensions: 10.6(W) x 2.4(H) x 9.5(D) inches, Weight: approx. 10 lbs. (loaded with chargers/radios)</small> | 208.50 |

| CARRYING ACCESSORIES | | LIST |
|-----------------------------|---|-------------|
| KBH-14M | Spring action belt clip (Same as supplied with TK-3230) | 9.35 |
| KLH-150 | Nylon case for TK-3230 (Black) | 14.70 |

| MICROPHONES & AUDIO ACCESSORIES | | LIST |
|--|---|-------------|
| KEP-2 | 2.5mm earphone kit for KMC-17/45 Speaker Mic | 52.50 |
| KHS-10-BH | Hvy-duty behind-the-headset w/noise cancelling boom mic & in-line PTT | 368.00 |
| KHS-10-OH | Hvy-duty over-the-headset w/noise cancelling boom mic & in-line PTT | 336.00 |
| KHS-7 | Single muff headset w/boom mic | 70.00 |
| KHS-7A | Lt. Wt Single muff headset w/boom mic & in-line PTT | 105.00 |

| | |
|---|-------------|
| MICROPHONES & AUDIO ACCESSORIES - CONT'D | LIST |
|---|-------------|

| | | |
|---------|---|--------|
| KHS-8BL | Two-Wire palm mic w/earphone (black) | 103.25 |
| KHS-9BL | Three-Wire lapel mic w/earphone (black) | 166.00 |
| KHS-22 | Behind-the-Head Headset with flexible boom mic and in-line PTT single ear receiver (low profile wire head band) | 41.00 |
| KHS-23 | 2-Wire Cell-style Earbud Clip/PTT Palm Mic (medium duty) | 55.50 |
| KHS-25 | Headset w/ D-Ring Ear Hanger w/ PTT & Boom Mic | 24.50 |
| KHS-26 | Clip Mic w/earphone | 28.00 |
| KHS-27 | D-Ring Ear Hanger w/PTT & Mic | 24.50 |
| KHS-31 | C-Ring Ear Hanger w/PTT & Mic | 30.00 |
| KMC-45 | MIL-SPEC, IP54/55 Speaker microphone (Built-in 2.5mm miniature earphone jack) | 86.00 |
| KMC-21 | Compact speaker microphone | 51.50 |

| | |
|--------------------------------------|-------------|
| INSTALLATION / TUNING CHARGES | LIST |
|--------------------------------------|-------------|

| | | |
|--------|--|-------|
| L-1077 | Change Channel to other frequencies or program TK-3230 | 25.00 |
|--------|--|-------|

-- NOTES --

* Please see Kenwood's ProTalk® MAP (Minimum Advertised Price) policy.

ProTalk® LT PKT-23
UHF BRS Portable Radio

[Table of Contents](#)



LT series portable includes:

- Spring action belt clip
- Drop-in charger
- Fixed Antenna
- 1430 mAh Li-ion Battery
- Instruction Manual
- Standard Warranty: 2 Years*

* All Accessories / options: 1 Year

GENERAL FEATURES

- UHF 1.5 Watt or 500 mW Transmit Power
- Extra Durable Polycarbonate Housing
- Small (1.8" W x 0.8" D x 3.3 H) & Lightweight (3.9 oz)
- Li-Ion battery with over 11 Hours Talk Time (5/5/90 duty cycle)
- Over 15 Hours Talk Time (with Battery Save On) 5/5/90 duty cycle
- 4 Channel Operation (factory pre-set)
- 99 User-Programmable Memory Bank Frequencies
- Channel Scan
- Wireless Cloning Mode
- Key Lock/Super Lock
- User Programmable QT (39) and DQT (168) Signaling
- Bell Tone Alert
- Speaker Mute Function
- VOX (Voice-activated transmit) w/5 Sensitivity Levels
- Voice Announcement
- Time Out Timer
- LED Battery Status Indicator
- 2 Function Keys
- 1-PIN Audio Accessory Jack
- Micro USB Port
- Antenna (fixed non-removable)
- Passes IP54 & 11 Rugged Mil-Spec 810 C, D, E, F & G Standards

| | |
|--------------|-------------|
| RADIO | LIST |
|--------------|-------------|

| | | |
|---------|--|--------|
| PKT-23K | 451-470 MHz UHF 1.5W or 500 mW, 4 Ch. Ultra Compact Portable | 175.00 |
|---------|--|--------|

| | |
|-------------------------------|-------------|
| BATTERIES AND CHARGERS | LIST |
|-------------------------------|-------------|

| | | |
|---------|---|--------|
| KNB-71L | Li-Ion battery (Same as supplied with PKT-23K) | 25.00 |
| KSC-44K | Li-Ion Fast rate charger/AC Power Supply (Same as supplied with PKT-23K) | 25.00 |
| KMB-44K | Six Unit Charging Cup and Multi-AC Adapter (Charging Cups not included) Available late Jan '14 | 167.00 |

| | |
|-----------------------------|-------------|
| CARRYING ACCESSORIES | LIST |
|-----------------------------|-------------|

| | | |
|---------|--|------|
| KBH-20M | Belt Clip (Same as supplied with PKT-23K & bulk PKT-23BKP) | 9.35 |
|---------|--|------|

| | |
|--|-------------|
| MICROPHONES & AUDIO ACCESSORIES | LIST |
|--|-------------|

| | | |
|--------|---|-------|
| KHS-33 | Clip Mic w/earphone single pin (only compatible with PKT-23) | 28.00 |
| KHS-34 | C-Ring Ear Hanger w/PTT & Mic single pin (only compatible with PKT-23) Available Jan '14 | 35.00 |

| | |
|--------------------------------------|-------------|
| INSTALLATION / TUNING CHARGES | LIST |
|--------------------------------------|-------------|

| | | |
|--------|---|-------|
| L-1773 | Change channel to other frequencies or program PKT-23 | 25.00 |
|--------|---|-------|

-- NOTES --

* Please see Kenwood's ProTalk® MAP (Minimum Advertised Price) policy.

TK-690 / 790 / 890
VHF/UHF FM Mobile Radios

[Table of Contents](#)



All 90 BKseries mobiles include:

- RF Deck Only
(Configuration Set & Assembly Labor Code must be order for a Complete Mobile.)
- Standard Warranty: 2 Years*

* All Accessories / options: 1 Year

Important Information
(TK-890; UHF)

* The lowest receive channel spread range is the factory default tuning if not otherwise specified. Refer to the table (right); order L-850 (no charge) and specify receive spread at the time of ordering. Out of range orders cannot be accepted.

* TX Power is derated at 470-480 MHz for TK-890HBK:
- 450-469 MHz (100 W)
- 470-480 MHz (75 W)

GENERAL FEATURES

- 45W & 110W (148-174 MHz)
- 40W (450-490, 480-512 MHz)
- 100W-75W (450-480 MHz)
- 110W (29.7-37.0, 35.0-43.0, 39.0-50.0 MHz)
- 160 Channels
- Dual Priority Scan
- Single / Multi Group Scan
- QT / DQT
- Operator Selectable Tone
- Two-Tone Decode1
- DTMF Encode/ Decode / Stun
- Encryption / ANI Board Control
- Emergency Call Features
- Companded Audio
- Intercom
- Public Address
- Time Out Timer
- Busy Channel Lockout
- Ignition Sense
- Timed Power Off
- DB-25 Accessory Connector
- 7 Programmable AUX Inputs
- 6 Programmable AUX Outputs
- Windows® Programming & Tuning
- Windows® Firmware Uploading
- Panel Tuning
- Cloning
- MIL-STD-810 C/D/E/F/G
- MIL-Spec Noise-Cancel Mic (included)
- MIL-Spec 12-Key DTMF Mic Option

FleetSync®

- PTT ID Digital ANI
- Emergency Status

MOUNTING CONFIGURATIONS

- Dash Mount
- Single Head Remote Mount
- Dual Head Remote Mount
- Dual Band Remote Mount
- Dual Head / Dual Band Remote Mount

FRONT PANELS / CONTROL HEADS

- Backlit Dot Matrix LCD
- 3-Digit Sub-Display
- Function/Status LCD Icons
- Transmit LED
- Busy, Call Alert, Warn LED
- LCD Dimmer Control
- Power On/Off Switch
- Rotary Volume Knob
- Rotary Selector Knob
- Backlit Keys
- PF Key Label Inserts
- Microphone Jack
- MILSTD 810 512.X Driven Rain

KCH-10 FRONT PANEL

- 8-Character Alphanumeric Aliases
- 5 PF Keys
- UP/DOWN Keys
- Built-in Front Speaker

KCH-11 FRONT PANEL

- 14-Character Alphanumeric Aliases
- 13 PF Keys
- UP/DOWN Keys
- External Speaker Required

| Model | RF Deck | RX | TX |
|------------|--------------------|------------|------------|
| | Freq. Range | Ch. Spread | Ch. Spread |
| TK-890BK/K | 450-490 | 20 MHz | 40 MHz |
| | Factory Default: - | 450-470 | 450-490 |
| | Order L-850: - | 460-480 | 450-490 |
| TK-890BK2 | 480-512 | 20 MHz | 32 MHz |
| | Factory Default: - | 480-500 | 480-512 |
| | Order L-850: - | 492-512 | 480-512 |
| TK-890HBK | 450-480 | 20 MHz | 30 MHz |
| | Factory Default: - | 450-470 | 450-480 |
| | Order L-850: - | 460-480 | 450-480 |

MODEL

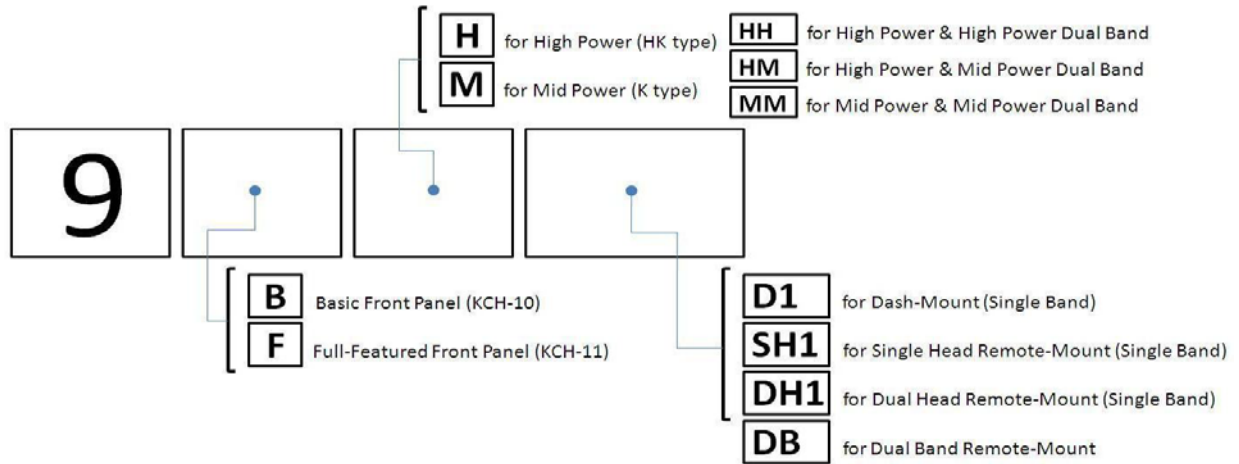
LIST

| | | |
|------------|---|----------|
| TK-690HBK | 29.7-37.0 MHz, 110W, 160 Channels (R.F. DECK ONLY) | 1,071.00 |
| TK-690HBK2 | 35.0-43.0 MHz, 110W, 160 Channels (R.F. DECK ONLY) | 1,071.00 |
| TK-690HBK3 | 39.0-50.0 MHz, 110W, 160 Channels (R.F. DECK ONLY) | 1,071.00 |
| TK-790BK | 148-174 MHz, 45W, 160 Channels (R.F. DECK ONLY) | 767.00 |
| TK-790HBK | 148-174 MHz, 110W, 160 Channels (R.F. DECK ONLY) | 1,239.00 |
| TK-890BK | 450-490 MHz, 40W, 160 Channels (R.F. DECK ONLY) | 819.00 |
| TK-890HBK | 450-480 MHz, 100/75W, 160 Channels (R.F. DECK ONLY) | 1,292.00 |

ACCESSORY CONFIGURATION SETS

LIST

CONFIGURATION SET DEFINITIONS



Note: All KCH-10 / Basic Control Head configurations are shipped with the control heads 4W internal speaker enabled. Order L-891 to enable the 13W external speaker output for KES-5 speaker use. This will disconnect the control heads internal 4W speaker !

Note: Order an Labor code for each model if factory packaging is required:
L-846 Package Dash/Single Head Remote*
L-847 Package Dual Head Remote
L-848 Package Dual Band Remote
L-849 Package Dual Band Dual Head Remote
 (* TK-790K/890K are pre-packaged & fully assembled: basic front, medium power, dash mount mobiles.
 No need to use the assembly labor code L-846.)

Single Band Dash Mount

| | | LIST |
|-------|--|-------------|
| 9BHD1 | KCH-10, KCT-23M2, KMB-9, KMC-27 | 326.50 |
| 9BMD1 | KCH-10, KCT-23M, KMB-5, KMC-27 | 296.50 |
| 9FHD1 | KCH-11, KCT-23M2, KMB-9, KMC-27, KES-5 | 471.75 |
| 9FMD1 | KCH-11, KCT-23M, KMB-5, KMC-27, KES-5 | 441.75 |

Single Band Single Head Remote Mount

| | | LIST |
|--------|---|-------------|
| 9BHSH1 | KCH-10, KRK-5, KCT-22M2, KCT-23M4, KMB-9, KMC-27 | 564.00 |
| 9BMSH1 | KCH-10, KRK-5, KCT-22M2, KCT-23M3, KMB-5, KMC-27 | 530.75 |
| 9FHSH1 | KCH-11, KRK-5, KCT-22M2, KCT-23M4, KMB-9, KMC-27, KES-5 | 709.25 |
| 9FMSH1 | KCH-11, KRK-5, KCT-22M2, KCT-23M3, KMB-5, KMC-27, KES-5 | 676.00 |

Single Band Dual Head Remote Mount

| | | LIST |
|---------|---|-------------|
| 9BHDH1 | KCH-10(x2), KRK-6DH, KCT-22M2(x2), KCT-23M4, KMB-9, KMC-27(x2) | 1,004.00 |
| 9BMDH1 | KCH-10(x2), KRK-6DH, KCT-22M2(x2), KCT-23M3, KMB-5, KMC-27(x2) | 970.75 |
| 9FHHDH1 | KCH-11(x2), KRK-6DH, KCT-22M2(x2), KCT-23M4, KMB-9, KMC-27(x2), KES-5(x2) | 1,294.50 |
| 9FMDH1 | KCH-11(x2), KRK-6DH, KCT-22M2(x2), KCT-23M3, KMB-5, KMC-27(x2), KES-5(x2) | 1,261.25 |

Dual Band Single Head Remote Mount

| | | LIST |
|---------|--|-------------|
| 9BHHDB | KCH-10, KRK-7DB, KMC-27, KCT-22M2, KCT-23M4(x2), KMB-9(x2) | 761.50 |
| 9BHMDB | KCH-10, KRK-7DB, KMC-27, KCT-22M2, KCT-23M3, KCT-23M4, KMB-5, KMB-9 | 728.25 |
| 9BMMDB | KCH-10, KRK-7DB, KMC-27, KCT-22M2, KCT-23M3(x2), KMB-5(x2) | 695.00 |
| 9FHHDDB | KCH-11, KRK-7DB, KMC-27, KES-5, KCT-22M2, KCT-23M4(x2), KMB-9(x2) | 906.75 |
| 9FHMDB | KCH-11, KRK-7DB, KMC-27, KES-5, KCT-22M2, KCT-23M3/KCT-23M4, KMB-5/KMB-9 | 873.50 |
| 9FMMDB | KCH-11 KRK-7DB, KMC-27, KES-5, KCT-22M2, KCT-23M3(x2), KMB-5(x2) | 840.25 |

| Dual Band Dual Head Remote Mount | | LIST |
|---|---|-------------|
| 9BBHH | KCH-10(x2), KMC-27(x2), KRK-8DBH, KCT-22M2(x2), KCT-23M4(x2), KMB-9(x2) | 1,117.50 |
| 9BBHM | KCH-10(x2), KMC-27(x2), KRK-8DBH, KCT-22M2(x2), KCT-23M3, KCT-23M4, KMB-5, KMB-9 | 1,084.25 |
| 9BBMM | KCH-10(x2), KMC-27(x2), KRK-8DBH, KCT-22M2(x2), KCT-23M3(x2), KMB-5(x2) | 1,051.00 |
| 9FFHH | KCH-11(x2), KMC-27(x2), KRK-8DBH, KCT-22M2(x2), KCT-23M4(x2), KMB-9(x2), KES-5(x2) | 1,408.00 |
| 9FFHM | KCH-11(x2), KMC-27(x2), KRK-8DBH, KCT-22M2(x2), KCT-23M3, KCT-23M4, KMB-5, KMB-9, KES-5(x2) | 1,374.75 |
| 9FFMM | KCH-11(x2), KMC-27(x2), KRK-8DBH, KCT-22M2(x2), KCT-23M3(x2), KMB-5(x2), KES-5(x2) | 1,341.50 |

| | |
|---|-------------|
| FRONT PANELS & REMOTE KITS (Order Configuration Sets for full install accessories) | LIST |
|---|-------------|

| | | |
|----------|---|--------|
| KCH-10 | Basic Control Panel | 147.00 |
| KCH-11 | Full Featured Control Panel | 231.00 |
| KRK-5 | Single Control Head Remote Mount Kit | 147.00 |
| KRK-6DH | Dual Control Head Remote Mount Kit | 252.00 |
| KRK-7DB | Dual Band Control Head Remote Mount Kit | 262.50 |
| KRK-8DBH | Dual Band Dual Head Remote Mount Kit | 283.50 |

| | |
|---------------|-------------|
| CABLES | LIST |
|---------------|-------------|

| | | |
|----------|--|-------|
| KCT-18 | Ignition sense cable | 13.70 |
| KCT-22M | Control cable - 8 Feet | 73.50 |
| KCT-22M2 | Control cable - 17 Feet (Standard accessory config. set cable) | 84.00 |
| KCT-22M3 | Control cable (25 Feet) | 94.50 |
| KCT-23M | DC Cable (35/45W Dash mount) | 31.50 |
| KCT-23M2 | DC Cable (75/110W Dash mount) | 38.75 |
| KCT-23M3 | DC Cable (35/45W Remote mount) | 34.75 |
| KCT-23M4 | DC Cable (75/110W Remote mount) | 45.25 |

| | |
|--|-------------|
| MOBILE INSTALLATION ACCESSORIES | LIST |
|--|-------------|

| | | |
|--------|--|--------|
| KCK-6 | Auxiliary Adapter for 90-Series Mobiles (For AUX A, B, & C) Features: 90-Series AUX A, B, & C Inputs, 3 AUX 1 Amp Relay Outputs, D-Sub 25 90-Series Accessory Connector Parallel Feed Through Supplied Items: Instruction Sheet (1pc.), KCK-6 (1pc.), Insulated Spade Lugs [0.250 female fully insulated, 16-14 wire range] (8pcs.) ***Hardware that may be required but NOT supplied - two 3/16" mounting screws, male-to-female DB-25 straight through serial cable, & wire peripheral.** Caution: KCK-6 Relays are rated at 1A maximum. Do Not Exceed. The KCK-6 is not intended to directly drive siren and light packages. The siren/light package manufacturers recommended high amperage relay units and directions should be followed. | 138.25 |
| KLF-2 | Line Filter (suppresses alternator whine, 25dB, 25A max) | 42.00 |
| KMB-10 | Key Lock Adapter for use with KMB-4/5/6 | 26.30 |
| KMB-5 | Medium Power Mounting Bracket (35W/45W models) | 14.00 |
| KMB-9 | Heavy Duty Mounting Bracket with built-in key lock | 36.75 |

| | |
|---------------------------------|-------------|
| MICROPHONES AND SPEAKERS | LIST |
|---------------------------------|-------------|

| | | |
|--------|---|--------|
| KES-5 | External Speaker (40W max input) | 61.25 |
| KMC-27 | Rugged standard microphone with noise canceling, MIL-STD and driven rain features | 104.00 |
| KMC-28 | DTMF microphone (MIL-SPEC, Noise canceling) | 163.00 |
| KMC-9B | Desk top microphone | 96.50 |

| SERVICE RELATED ACCESSORIES | | LIST |
|--|--|-------------|
| KPG-43UM | USB Programming interface cable | 158.50 |
| KPG-44DNK | Windows® Programming Software for TK-690/790/890 (Compliant with FCC Part 90 Narrowbanding) | 68.50 |
| ***** Contact Kenwood Parts for Price and Availability 800-367-7514 on the following: | | |
| K29-5276-03 | Key Inserts for 90-series mobile (AN, D/A, DIM, HA, HC, IC, MON, OPT, OST, PA) | --- |
| K29-5277-03 | Key Inserts for 90-series mobile (RCL, RPT, SCN, SP, SPM, SQ, TA, <up arrow>, <down arrow>) | --- |
| K29-5305-03 | Key Inserts for 90-series mobile (CH1, CH2, CH3, CH4, CH5, AUXA, AUXB, AUXC, EMG, ORG) | --- |
| S76-0434-05 | 1 Amp Relay for 90-series mobile | --- |

| INSTALLATION / TUNING CHARGES | | LIST |
|--------------------------------------|---|-------------|
| L-846 | Package Dash/Single Head Remote for 90-series mobiles | 17.00 |
| L-847 | Package Dual Head Remote for 90-series mobiles | 34.00 |
| L-848 | Package Dual Band Remote for 90-series mobiles | 34.00 |
| L-849 | Package Dual Band Dual Head Remote for 90-series mobiles | 50.00 |
| L-850 | Tune TK-890 receiver channel spread (20 MHz max.); specify receive spread | N/C |
| L-854 | 90 Mobile Programming (with basic TX/RX check) | 30.00 |
| L-858 | Modify 90-series mobile Single Band (Single Head) Mobile for Pyramid Vehicular Repeater | 75.00 |
| L-859 | Modify 90-series mobile Single Band (Dual Head) Mobile for Pyramid Vehicular Repeater | 75.00 |
| L-861 | Install Horn Alert output relay for 90-series mobiles (1 amp max.) --- Part #S76-0407-05 Relay incl. | 70.00 |
| L-862 | Install Key Inserts for 90-series mobiles Note: For new radio tune orders only. Installs only the included KCH-10/11 key inserts. Must specify keys and placement (see Service Manuals for placement diagram, pg. 14). Also, see Service Manuals for technical details (pg. 14). Other Key Inserts are available from Parts Dept. See the "Service Related Accessories" section of the 90-series mobiles pricepages for more information. | 15.00 |
| L-864 | KCT-22A Extended Control Head Cable (up to 50 ft. max.) Note: Please specify exact length at 1ft. increments when ordering. Caution: Extended control head cables exhibit a loss in speaker audio power to the control heads. For either type control head (KCH-10/11), it is recommended that the 13W audio output modification be implemented to drive extended cable runs and a KES-5 external speaker be used. Refer to the service manual pg. 15-17 for 13W modifications. Installing new radio firmware (hex files) via the KPG-44D software nor checking the firmware "checksum" is not possible through an extended control head cable. A standard KCT-22 cable of 25 ft. or less should be used when this has to be done. Normal KPG-44D radio parameter programming is possible at extended lengths. | 190.00 |
| L-865 | KCT-22A Extended Control Head Cable (up to 100 ft. max.) Note: Please specify exact length at 1ft. increments when ordering. Caution: Extended control head cables exhibit a loss in speaker audio power to the control heads. For either type control head (KCH-10/11), it is recommended that the 13W audio output modification be implemented to drive extended cable runs and a KES-5 external speaker be used. Refer to the service manual pg. 15-17 for 13W modifications. Installing new radio firmware (hex files) via the KPG-44D software nor checking the firmware "checksum" is not possible through an extended control head cable. A standard KCT-22 cable of 25 ft. or less should be used when this has to be done. Normal KPG-44D radio parameter programming is possible at extended lengths. | 245.00 |
| L-866 | KCT-23A-K2 Two Conductor 75/110W High Power DC Cable (2 Conductor: 1x23 ft. positive, 1x23 ft. negative; AWG #10) Note: This cable substitutes for the ff. DC Cables: --> KCT-23M2 75/110W Dash Mount DC Cable: 4 Conductor: 2x10 ft. positive, 2x10 ft. negative --> KCT-23M4 75/110W Remote Mount DC Cable: 4 Conductor: 2x23 ft. positive, 2x23 ft. negative | 75.00 |
| L-867 | Jumper foil for SB to pin 14 of accessory connector for 90-series mobile (Ref. 90-Series Mobile Service Manual, page 17/18) | 25.00 |
| L-870 | Simultaneous transpond and alert feature up-grade for 90-series mobiles & portables | 50.00 |
| L-883 | Modify 90-series mobile for KCT-18 | 25.00 |
| L-891 | External speaker modification for 90-series mobile Control Head (13W) | 10.00 |
| L-903 | R640 mic input modification for 90-series mobile | 17.00 |
| L-910 | Install firmware 094F (90-series mobile * and # DTMF without PTT) Note: The firmware 094F gives the 90-series mobile the ability to generate a DTMF tone from the * and # keys without pushing the PTT button. | 17.00 |

| INSTALLATION / TUNING CHARGES - CONT'D | | LIST |
|---|--|-------------|
| L-912 | 90-Series mobile low imp. mic. Input at RF deck | 10.00 |
| L-917 | EXT PTT / Local KMC-27 mic disable Purpose: Disables the KMC-27 mobile hand mic element when 90-series mobile external PTT is active. For use with data modems, GPS AVL data units, headset systems (motorcycles, ambulance, fire engines), vehicle intercom | 17.00 |
| L-921 | Modify 90-series mobile Dual Band (Single Head) for Pyramid Vehicular Repeater | 75.00 |
| L-922 | Modify 90-series mobile Dual Band (Dual Head) for Pyramid Vehicular Repeater | 75.00 |

[Table of Contents](#)

NX-700 / 800

NEXEDGE® VHF/UHF Digital & FM Analog Mobile Radios



All NX series mobiles include:

- Standard Microphone (KMC-35)
- Mounting Bracket
- DC Cable (KCT-23M)
- Blade Fuse
- Instruction Manual
- Premium Warranty: 3 Years*

* All Accessories / options: 1 Year

* TX Power is derated at 490-512 MHz

NX-800K: 450-489 MHz (30 W)
490-512 MHz (25 W)

NX-800HK: 450-489 MHz (45 W)
490-512 MHz (40 W)

GENERAL FEATURES

- 30W / 50W (136-174 MHz) Models
- 30W / 45W (400-470, 450-520 MHz) Models
- 512 CH-GID / 128 Zones
- Dash & Remote Mount
- 14 Character Alphanumeric Aliases
- Backlit Dot Matrix LCD
- Function/Status LCD Icons
- Multi-Language Display
- Date & 12/24 Hour Time Clock
- Transmit/Busy/Call Alert/Warn LED
- On/Off Power Control
- 4 Up/Down Selectors
- 6 Front PF Keys
- Emergency/AUX Key
- 4W Speaker Audio
- DB-25 Accessory Connector
- 9 Programmable AUX I/Os
- 2 Programmable AUX Outputs
- KPG-111D Windows® FPU
- Flash Firmware Upgrading
- MIL-STD-810 C/D/E/F/G
- IP-54/55 Water & Dust Intrusion
- PC Serial Interface
- SDM Manual Input
- Transparent Data Mode
- GPS Receiver Option
- VGS-1 Voice Guide / Voice & GPS Data Storage Option

DIGITAL – GENERAL

- NXDN® Digital Air Interface
- AMBE+2™ VOCODER
- 6.25 & 12.5 kHz Channels
- Over-the-Air Alias
- Over-the-Air Programming
- Paging Call
- Emergency Call
- All Group Call
- Status Messaging
- Remote Stun/Kill/Check
- Short & Long Data Messages
- GPS Location with Voice
- NXDN® Scrambler Included
- DES Encryption Module Option
- AES & DES Encryption Module Option
- AES/DES Software Key Loader Option

DIGITAL CONVENTIONAL MODE

- 64 Radio Access Numbers (RAN)
- Individual & Group Selective Call
- Mixed FM/Digital Operation
- Conventional IP Networks
- Site Roaming

DIGITAL TRUNKING MODE

- Individual Private Call
- Group Call & Broadcast Call
- Telephone Interconnect
- Transmission Trunked Mode
- Message Trunked Mode
- Call Queuing with Priority
- Late Entry (UID & GID)
- 4 Priority Monitor ID's
- Remote Group Add
- Failsafe Mode

MULTI-SITE IP NETWORKS COMPATIBLE

- Individual Private Call
- Group Call & Broadcast Call
- Transmission Trunked Mode

MULTI-SYSTEM COMPATIBLE

- 8 Trunked Networks per radio (each in a zone)
- UID Lists for each network

SCAN

- Single Zone / Multi-Zone / List Scan
- Dual Priority Scan (Conventional)

ANALOG MODES - GENERAL

- 25 & 12.5 kHz Channels
- Conventional & LTR® Zones
- FleetSync®/II, MDC-1200, DTMF
- QT / DQT & Two-Tone (Conventional Zones Only)
- Voice Inversion Scrambler
- Analog Scrambler Board Capability

MPT ZONES (option)

- Single-Site Trunking
- Multi-Site Network Trunking
- 8 Network Capacity
- Network Roaming / Registration

FleetSync®/II (FM)

- PTT ID ANI / Caller ID
- Selective / Group Call
- Emergency, Status & Text Messages

MDC-1200

- PTT ID ANI / Caller ID
- Emergency, Radio Check & Inhibit

| MODEL | | LIST |
|-----------|------------------------------------|--------|
| NX-700K | 136-174 MHz 30W, 512 CH / 128 Zone | 725.00 |
| NX-700HK | 136-174 MHz 50W, 512 CH / 128 Zone | 850.00 |
| NX-800K | 450-520 MHz 30W, 512 CH / 128 Zone | 725.00 |
| NX-800K2 | 400-470 MHz 30W, 512 CH / 128 Zone | 725.00 |
| NX-800HK | 450-520 MHz 45W, 512 CH / 128 Zone | 850.00 |
| NX-800HK2 | 400-470 MHz 45W, 512 CH / 128 Zone | 850.00 |

| MOBILE INSTALLATION ACCESSORIES | | LIST |
|---|---|-------------|
| KAP-2 | Horn Alert/P.A. Relay Option | 63.00 |
| KCT-46 | Ignition sense cable (plugs directly into mobile chassis ignition sense line) | 13.70 |
| KLF-2 | Line Filter (suppresses alternator whine, 25dB, 25A max). | 42.00 |
| KMB-10 | Key lock adapter | 26.30 |
| KRK-10 | Remote Control Kit (a remote control cable (23 ft) is included) | 105.00 |
| KRK-13 | Dual Control Head Kit (a control head, remote cables, and KMC-35 microphone included) Note: some operations have limitations. Please refer to Application Note avlb. on Kenwood Tools. Order: L-1776 if installation is required. | 959.00 |
| KCT-23M | DC Cable (35-50W Dash mount; pos/neg. 10 ft. leads) | 31.50 |
| KCT-23M3 | DC Cable (35-50W Remote mount; pos.23 ft.; neg. 3.3. ft. leads) | 34.75 |
| CONTROL STATION INSTALLATION ACCESSORIES | | LIST |
| KMC-9C | Control Station Desktop Microphone (8-pin mod. plug) | 86.00 |
| KMB-24 | Control Station Mounting Case for KPS-15 Power Supplies (mobile mounting hardware included) | 42.00 |
| KPS-15 | DC Switching Power Supply (117/230 VAC; 23A max. continuous, 25A peak) | 173.00 |
| MICROPHONES AND SPEAKERS | | LIST |
| KMC-35 | MIL-SPEC Standard electret mobile microphone (8-pin mod. plug) - same as supplied | 52.50 |
| KMC-36 | MIL-SPEC Standard electret mobile microphone with 12 keypad (8-pin mod. plug) | 94.50 |
| KMC-9C | Control Station Desktop Microphone (8-pin mod. plug) | 86.00 |
| KES-3 | External speaker (compact low profile; black case; 3.5 mm phono plug-in) | 44.25 |
| KES-5 | External speaker, 40W max input Note: requires KAP-2 (PA/HA unit) installed | 61.25 |
| FIRMWARE OPTIONS | | LIST |
| KWD-P25C | P25 Flash upgrade; NX-200/300/700/800 Must order L-1663 Note: KWD-P25C will be Kenwood factory installed only (units must be returned for upgrade) | 792.00 |
| SOFTWARE OPTIONS | | LIST |
| KPG-150AP | NEXEDGE OTAP Manager Windows Software. • License Includes 10 radios / 1 Serial Port* • To add more radios/serial ports, you must contact Kenwood Systems Division [1-800-TRUNKING] | 550.00 |
| KPG-151AE | AES/DES Encryption Software Key Loader for KWD-DE21K/KWD-AE21K KPG-151AE is a U.S. DOC/BIS Export Controlled Item (ECCN 5D002A) - See IMPORTANT NOTES - | 525.00 |
| OPTION MODULES | | LIST |
| KWD-AE20K | AES FIPS140-2 & DES Encryption Module for TK-5*10/5*20 & NX-*00/*10 Portables & Mobiles Order L-1720 if installation is required. KWD-AE20K requires: a Motorola KVL3000 Plus key loader device. KWD-AE20K is an U.S. DOC/BIS Export Controlled Item (ECCN 5A002A.1) - See IMPORTANT NOTES - | 998.00 |
| KWD-AE21K | AES & DES Encryption Module for TK-5*10/5*20 & NX-*00/*10 Portables & Mobiles Order L-1721 if installation is required. Note: Requires KPG-151AE software key loader or Motorola KVL3000 Plus key loader device. KWD-AE21K is an U.S. DOC/BIS Export Controlled Item (ECCN 5A002A.1) - See IMPORTANT NOTES - | 998.00 |
| KWD-DE21K | DES Encryption Module for TK-5*10/5*20 & NX-*00/*10 Portables & Mobiles Order L-1722 if installation is required Note: Requires KPG-151AE software key loader or Motorola KVL3000 Plus key loader device KWD-DE21K is a U.S. DOC/BIS Export Controlled Item (ECCN 5A992A) - See IMPORTANT NOTES - | 578.00 |
| VGS-1 | Voice Guide and Storage Unit | 87.50 |

| FleetSync® & NEXEDGE® AVL & MESSAGING | | LIST |
|--|--|-------------|
| GA25MCX | Garmin On-dash Style Magnetic base GPS Antenna for GPS15XL-W Note: shipped loose only; Install GA25MCX antenna to GPS15XL-W before vehicle install; Refer to 180/NX-Series In-depth Technical Manuals for mobile installation. | 62.00 |
| GPS15XL-W | Garmin Internal GPS Receiver Board for FleetSync® & NEXEDGE® AVL Note: • Conventional & LTR operation • NEXEDGE® Conventional & Trunking operation • Requires GA25 MCX GPS antenna • Refer to 180/NX-Series & KGS-3/KAS-10 In-Depth Technical Manuals for installation, programming & KGS-3/KAS-10 software setup. Refer to www.garmin.com for GPS-15L-W technical specifications. • Option: Order L-1098 for Kenwood Long Beach installation | 130.25 |
| KAS-10 | FleetSync® & NEXEDGE® AVL & Messaging Software with NEXEDGE Trunking VoIP Dispatch Note: Users can chose to operate Messaging, AVL or VoIP or all three if desired. Compatible with Windows® XP, VISTA & 7 and Microsoft® MapPoint® 2006/2009/2010 (certain format bitmap images can be imported). Refer to KAS-10 product spec sheets and manuals for details. | 434.00 |
| KGS-3 | FleetSync® & NEXEDGE® AVL & Messaging Software (Windows® 2000/XP compatible), Note: AVL operation /use is not required. Compatible with Microsoft® MapPoint® 2004/2006 Software or certain type imported maps (purchase aftermarket separately) Refer to KGS-3 spec sheet for detailed features & requirements. | 347.00 |
| NEXEDGE® Wireless Image System | | LIST |
| KAS-11 | NEXEDGE® Image Viewer Software (Windows® XP/VISTA/7 compatible), Note: • Wireless Image System Base Station Operation. • Works with NX-700/800 6.25/12.5Khz Digital mode, Radio to Radio, via Conventional Repeater, Trunking Repeater and Conventional IP Network. • Refer to Wireless Image Basic Operation and Installation Guide for detailed features & requirements. | 250.00 |
| KVT-11 | NEXEDGE® Image Encoder Unit Note: • Wireless Image System Monitor Station Operation. • KAS-11 is required for programming. • Not include Cameras (purchase aftermarket separately). • Works with NX-700/800 6.25/12.5Khz Digital mode, Radio to Radio, via Conventional Repeater, Trunking Repeater and Conventional IP Network. • Refer to Wireless Image Basic Operation and Installation Guide for detailed features & requirements. | 575.00 |
| L-1687 | NX-700/800 Flow Control Modification | 60.00 |
| SERVICE RELATED ACCESSORIES | | LIST |
| KPG-46UM | USB Programming interface cable | 158.50 |
| KPG-111DNK | Windows® Programming Software for NX-200/210/300/410/411/700/800/900/901 (Compliant with FCC Part 90 Narrowbanding) | 103.25 |
| KPG-163DNK | Programming software for NX-200/300/700/800 with PassPort®/NEXEDGE® Options Installed (12.5 /6.25 CH bandwidths only) • Programs NEXEDGE, PassPort®, LTR & analog Conventional modes. • Not for use on a standard NEXEDGE radios • KPG-111D(N) Must be installed in PC prior to installing KPG-163DNK. | 165.00 |
| PGM-NX-PP | PassPort ESN Generator device for NX-200/300/700/800 Note: PGM-NX-PP is stocked in minimum quantities. Please anticipate a minimum of 30 day lead time and call order desk to verify availability. • The TK-x180 PassPort ESN Generator device is NOT compatible for NX-x00 ESN loads. • The PGM-NX-PP requires older KPG-36AM (portable) & KPG-46AM (mobile) radio program interface cables with serial DB9 and an aftermarket DB9F-to-DB25M adapter ("KPG-XXUM" USB style cables are not compatible). | 200.00 |

| INSTALLATION / TUNING CHARGES | | LIST |
|--|--|-------------|
| L-1085 | NX-700/800 Programming (with basic TX/RX check) | 37.50 |
| L-1087 | Install VGS-1 Voice Guide & Storage Unit Note: VGS-1 installation precludes any ANI or encryption board installation | 25.00 |
| L-1094 | Install KAP-2 (Default) HR1/Internal Sp./PA | 25.00 |
| L-1098 | Install Garmin GPS15XL-W in NX-Series mobile for FleetSync® AVL | 100.00 |
| L-1099 | Assemble NX-700/800/900/901 with KRK-10 Remote Kit | 42.00 |
| L-1663 | NX-700/800 P25 Conventional Software Upgrade Must order a KWD-P25C firmware option | N/C |
| L-1720 | Install KWD-AE20K in NX-700/800/900/901 Mobiles (Must purchase module separately) | 75.00 |
| L-1721 | Install KWD-AE21K in NX-700/800/900/901 Mobiles (Must purchase module separately) | 75.00 |
| L-1722 | Install KWD-DE21K in NX-700/800/900/901 Mobiles (Must purchase module separately) | 75.00 |
| L-1743 | Install PassPort®-Classic / NEXEDGE option in NX- 200/300/700/800 • Order one per radio • KPG-163DNK required to program radio | 80.00 |
| L-1744 | Install PassPort®-Enhanced / NEXEDGE Option in NX- 200/300/700/800 • Order one per radio • KPG-163DNK required to program radio | 108.35 |
| L-1745 | Field Retrofit PassPort®-Classic / NEXEDGE option for NX-200/300/700/800 (order one option per the number of ESNs required) • ESN activation file with ordered number of ESNs and firmware will be shipped on a CD ROM. Allow 15 business days ARO. • KPG-163DNK required to program radio • Requires PGM-NX-PP PassPort ESN Generator device • Note: The TK-x180 PassPort ESN Generator device is NOT compatible for NX-x00 ESN loads. | 80.00 |
| L-1746 | Field Retrofit PassPort®-Enhanced / NEXEDGE Option for NX-200/300/700/800 orders (order option one per the number of ESNs required) • ESN activation file with ordered number of ESNs and firmware will be shipped on a CD ROM. Allow 15 business days ARO. • KPG-163DNK required to program radio • Requires PGM-NX-PP PassPort ESN Generator device • Note: The TK-x180 PassPort ESN Generator device is NOT compatible for NX-x00 ESN loads. | 108.35 |
| L-1776 | Assemble NX-700/800/900/901 with KRK-13 Dual Remote Kit | 42.00 |
| MPT FIRMWARE/ACCESSORIES/TUNING | | LIST |
| KPG-143DNK | Windows® Programming Software for NX series MPT (Compliant with FCC Part 90 Narrowbanding) (Dealer Level License ID included) Note: Must order L-1727 for Network Level License ID & programming privileges | 103.25 |
| KWD-NX10MPT | MPT Trunking Field Upgrade Kit for NX series radio Must order L-1729 Note: Not compatible with any other firmware options. Radio does not retain LTR trunking features once the MPT option is installed. | 66.70 |
| L-1726 | Install MPT option in NX series radio | 25.00 |
| L-1727 | Network Level License ID for KPG-143D(N) NX series Programmer | 158.33 |
| L-1728 | Retrofit Install of MPT option in NX series radio For previously purchased NX series radios. Order L-1728 through LMR order desk/rep. Ship radios to attn: Kenwood LMR Tuning, Long Beach for installation. Include Kenwood order number for L-1728 provided by order desk & copy of company P.O. or P.O. number. Note: see NX series MPT Introduction Sales Bulletin for details | 85.00 |
| L-1729 | NX Series Radio MPT Firmware FIELD-UPGRADE (Must purchase KWD-NX10MPT separately) | NC |

-- IMPORTANT NOTES --

Encryption modules, key loaders and radios containing encryption are export controlled by the U.S. Department of Commerce Bureau of Industry & Security EAR regulations and may either require an Export License, are eligible for a License Exception (ENC) or are exportable with No License Required (NLR) depending on the country, the consignee and the intended use. High level encryption is a special commodity that may require an export license to most countries. See www.bis.gov for more information regarding export regulations. DO NOT SHIP encryption items outside the U.S. without proper DOC/BIS Export Licenses and/or compliances.

Kenwood may request the following information to be submitted at time of order (this information must meet Kenwood internal approvals prior to shipment even if being returned to Kenwood later:

a) Initial Destination: Initial delivery point if different from Ultimate Destination
(customer distribution center, headquarters, dealership, manufacturer's representative)

* Business/Agency Name:

* Address:

* Contact Person Name:

* Contact Phone:

b) Ultimate Destination: Final delivery point(s); deployment/distribution

* Business/Agency Name:

* Address:

* Contact Person Name:

* Contact Phone:

c) Intended Use of Radios: Law enforcement, security, operations, etc.

KWD-AE20 AES FIPS140-2 SCM , NIST Validation & Customer Shipping

A secure delivery method direct to the end user customer is required by the NIST AES FIPS 140-2 validation rules. For U.S. Federal Government entities the SCM must ship from Kenwood USA Corporation directly to the end user customer by a trusted carrier (FEDEX, UPS or a designated Kenwood USA Corporation employee); shipping/handling by a dealer or other entity is not acceptable. This may or may not be required by local/state government agencies or business/industrial users. Please check with the end use customer about their AES encryption handling requirements before ordering. Kenwood will not be responsible for shipments of KWD-AE20K modules to erroneous destinations specified on an order.

NX-720HGK / 820HGK
NEXEDGE® VHF/UHF Digital & FM Analog Mobile Radios



All NX-x20 series mobiles include:

- Standard Microphone (KMC-35)
- Mounting Bracket
- DC Cable (KCT-23M)
- 15A Fuse
- Instruction Manual
- Premium Warranty: 3 Years*

* All Accessories / options: 1 Year

GENERAL FEATURES

- 50W (136-174 MHz) Model
- 45W (400-470, 450-520 MHz) Models
- 260 CH-GID / 128 Zones
- 10 Character Alphanumeric Aliases
- Backlit LCD & Keys
- Function/Status LCD Icons
- Transmit/Busy/Call Alert/Warn LED
- Blue Function/Status LED
- On/Off Power Control
- 4 Up/Down Selectors
- 6 Front PF Keys
- Emergency/AUX Key
- 4W Speaker Audio
- Zone / CH Number Voice Announcement
- DB-15 Accessory Connector
- 6 Programmable AUX I/Os
- KPG-141D Windows® FPU
- Flash Firmware Upgrading
- MIL-STD-810 C/D/E/F/G
- IP-54 Water & Dust Intrusion
- PC Serial Interface
- SDM Manual Input
- Transparent Data Mode
- Built-in GPS Receiver

DIGITAL COMMON

- NXDN® Digital Air Interface
- AMBE+2™ VOCODER
- 6.25 & 12.5 kHz Channels
- Over-the-Air Alias
- Over-the-Air Programming2
- Paging Call
- Emergency Call
- All Group Call
- Status Messaging
- Remote Stun/Kill/Check
- Short & Long Data Messages
- GPS Location with Voice
- NXDN® Scrambler Included

DIGITAL CONVENTIONAL MODE

- 64 Radio Access Numbers (RAN)
- Individual & Group Selective Call
- Mixed FM/Digital Operation
- Conventional IP Networks
- Site Roaming

DIGITAL TRUNKED MODE

- Individual Private Call
- Group Call & Broadcast Call
- Telephone Interconnect
- Transmission Trunked Mode
- Message Trunked Mode
- Call Queuing with Priority
- Late Entry (UID & GID)
- 4 Priority Monitor ID's
- Remote Group Add
- Failsafe Mode

MULTI-SITE IP NETWORKS COMPATIBLE

- 60,000 GIDs / UIDs
- Wide Area Group Call
- Auto Roaming Registration
- Group Registration

MULTI-SYSTEM COMPATIBLE

- 8 Trunked Networks per radio (each in a zone)
- UID Lists for each network

SCAN

- Single Zone / Multi-Zone / List Scan
- Dual Priority Scan (Conventional)

ANALOG MODE - GENERAL

- 12.5 kHz Channels
- Conventional & LTR® Zones
- FleetSync®/II, MDC-1200, DTMF
- QT / DQT & Two-Tone (Conventional Zones Only)
- Voice Inversion Scrambler (16 Codes)

MPT ZONES (option)

- Single-Site Trunking
- Multi-Site Network Trunking
- 8 Network Capacity
- Network Roaming / Registration

FleetSync® /II (FM)

- PTT ID ANI / Caller ID
- Selective / Group Call
- Emergency, Status & Text Messages

MDC-1200

- PTT ID ANI / Caller ID
- Emergency, Radio Check & Inhibit

| MODEL | | LIST |
|--------------|------------------------------------|-------------|
| NX-720HGK | 136-174 MHz 50W, 260 CH / 128 Zone | 684.00 |
| NX-820HGK | 450-520 MHz 45W, 260 CH / 128 Zone | 684.00 |
| NX-820HGK2 | 400-470 MHz 45W, 260 CH / 128 Zone | 684.00 |

| MOBILE INSTALLATION ACCESSORIES | | LIST |
|--|---|-------------|
| KCT-60M | DB15-to-15pin Molex Adapter Cable | 29.00 |
| KCT-18 | Ignition sense cable (requires KCT-60M Acc. Cable Option) | 13.70 |
| KCT-36 | Extension Cable for KCT-34/35/39/40M/60M; 117.6 inches (9.8 ft) | 43.75 |
| KLF-2 | Line Filter (suppresses alternator whine, 25dB, 25A max). | 42.00 |
| KMB-10 | Key lock adapter | 26.30 |

| | |
|---|-------------|
| CONTROL STATION INSTALLATION ACCESSORIES | LIST |
|---|-------------|

| | | |
|--------|--|--------|
| KMC-9C | Control Station Desktop Microphone (8-pin mod. plug) | 86.00 |
| KMB-24 | Control Station Mounting Case for KPS-15 Power Supplies (mobile mounting hardware included) | 42.00 |
| KPS-15 | DC Switching Power Supply (117/230 VAC; 23A max. continuous, 25A peak) | 173.00 |

| | |
|---------------------------------|-------------|
| MICROPHONES AND SPEAKERS | LIST |
|---------------------------------|-------------|

| | | |
|--------|---|-------|
| KMC-35 | MIL-SPEC Standard electret mobile microphone (8-pin mod. plug) - same as supplied | 52.50 |
| KMC-36 | MIL-SPEC Standard electret mobile microphone with 12-key DTMF (8-pin mod. plug) | 94.50 |
| KMC-9C | Control Station Desktop Microphone (8-pin mod. plug) | 86.00 |
| KES-3 | External speaker (compact low profile; black case; 3.5 mm phono plug-in) | 44.25 |
| KES-5 | External speaker, 40W max input Note: requires KCT-60M installed | 61.25 |

| | |
|-------------------------|-------------|
| SOFTWARE OPTIONS | LIST |
|-------------------------|-------------|

| | | |
|-----------|--|--------|
| KPG-150AP | NEXEDGE OTAP Manager Windows Software. <ul style="list-style-type: none"> • License Includes 10 radios / 1 Serial Port* • To add more radios/serial ports, you must contact Kenwood Systems Division [1-800-TRUNKING] | 550.00 |
|-----------|--|--------|

| | |
|--|-------------|
| FleetSync® & NEXEDGE® AVL & MESSAGING | LIST |
|--|-------------|

| | | |
|----------|---|--------|
| KAS-10 | FleetSync® & NEXEDGE® AVL & Messaging Software with NEXEDGE Trunking VoIP Dispatch Note: Users can chose to operate Messaging, AVL or VoIP or all three if desired. Compatible with Windows® XP, VISTA & 7 and Microsoft®MapPoint®2006/2009/2010 (certain format bitmap images can be imported). Refer to KAS-10 product spec sheets and manuals for detials. | 434.00 |
| KGS-3 | FleetSync® & NEXEDGE® AVL & Messaging Software (Windows® 2000/XP compatible), Note: AVL operation /use is not required. Compatible with Microsoft®MapPoint®2004/2006 Software or certain type imported maps (purchase aftermarket separately) Refer to KGS-3 spec sheet for detailed features & requirements. | 347.00 |
| KRA-40GM | GPS Antenna | 42.00 |

| | |
|------------------------------------|-------------|
| SERVICE RELATED ACCESSORIES | LIST |
|------------------------------------|-------------|

| | | |
|------------|--|--------|
| KPG-46UM | USB Programming interface cable | 158.50 |
| KPG-141DNK | Windows® Programming Software for NX-220/320/720/820 (Compliant with FCC Part 90 Narrowbanding) | 103.25 |

| | |
|--------------------------------------|-------------|
| INSTALLATION / TUNING CHARGES | LIST |
|--------------------------------------|-------------|

| | | |
|--------|---|-------|
| L-1751 | NX-720HG/820HG Programming (with basic TX/RX check) | 37.50 |
|--------|---|-------|

| MPT FIRMWARE/ACCESSORIES/TUNING | | LIST |
|--|--|-------------|
| KPG-143DNK | Windows® Programming Software for NX series MPT (Compliant with FCC Part 90 Narrowbanding) (Dealer Level License ID included) Note: Must order L-1727 for Network Level License ID & programming privileges | 103.25 |
| KWD-NX10MPT | MPT Trunking Field Upgrade Kit for NX series radio Must order L-1729 Note: Not compatible with any other firmware options. Radio does not retain LTR trunking features once the MPT option is installed. | 66.70 |
| L-1726 | Install MPT option in NX series radio | 25.00 |
| L-1727 | Network Level License ID for KPG-143D(N) NX series Programmer | 158.33 |
| L-1728 | Retrofit Install of MPT option in NX series radio For previously purchased NX series radios. Order L-1728 through LMR order desk/rep. Ship radios to attn: Kenwood LMR Tuning, Long Beach for installation. Include Kenwood order number for L-1728 provided by order desk & copy of company P.O. or P.O. number. Note: see NX series MPT Introduction Sales Bulletin for details | 85.00 |
| L-1729 | NX Series Radio MPT Firmware FIELD-UPGRADE (Must purchase KWD-NX10MPT separately) | NC |

-- IMPORTANT NOTES --

Encryption modules, key loaders and radios containing encryption are export controlled by the U.S. Department of Commerce Bureau of Industry & Security EAR regulations and may either require an Export License, are eligible for a License Exception (ENC) or are exportable with No License Required (NLR) depending on the country, the consignee and the intended use. High level encryption is a special commodity that may require an export license to most countries. See www.bis.gov for more information regarding export regulations. DO NOT SHIP encryption items outside the U.S. without proper DOC/BIS Export Licenses and/or compliances.

Kenwood may request the following information to be submitted at time of order (this information must meet Kenwood internal approvals prior to shipment even if being returned to Kenwood later):

- a) Initial Destination:** Initial delivery point if different from Ultimate Destination (customer distribution center, headquarters, dealership, manufacturer's representative)
 - * Business/Agency Name:
 - * Address:
 - * Contact Person Name:
 - * Contact Phone:
- b) Ultimate Destination:** Final delivery point(s); deployment/distribution
 - * Business/Agency Name:
 - * Address:
 - * Contact Person Name:
 - * Contact Phone:
- c) Intended Use of Radios:** Law enforcement, security, operations, etc.

KWD-AE20 AES FIPS140-2 SCM , NIST Validation & Customer Shipping

A secure delivery method direct to the end user customer is required by the NIST AES FIPS 140-2 validation rules. For U.S. Federal Government entities the SCM must ship from Kenwood USA Corporation directly to the end user customer by a trusted carrier (FEDEX, UPS or a designated Kenwood USA Corporation employee); shipping/handling by a dealer or other entity is not acceptable. This may or may not be required by local/state government agencies or business/industrial users. Please check with the end use customer about their AES encryption handling requirements before ordering. Kenwood will not be responsible for shipments of KWD-AE20K modules to erroneous destinations specified on an order.

[Table of Contents](#)

NX-740HV / 840HU

NEXEDGE® VHF/UHF Digital & FM Analog Mobile Radios



All NX-x40 series mobiles include:

- Standard Microphone (KMC-35)
- Mounting Bracket
- DC Cable (KCT-23M)
- 15A Fuse
- Instruction Manual
- Premium Warranty: 3 Years*

* All Accessories / options: 1 Year

GENERAL FEATURES

- 50 W (136-174 MHz) Model
- 45 W (450-520 MHz) Model
- Max. 16 CH per Zone
- 2 Conventional Zones
- 2-Digit LED Channel Display
- Function/Status LED Dots
- Backlit Keys
- Transmit / Busy / Call Alert LED
- Blue Function/Status LED
- 9 Programmable Function Keys
- Emergency / AUX Key
- 4W Speaker Audio
- Voice CH# Announcement
- DB15 Accessory Interface
- 8 Programmable I/O Ports
- KPG-175D Windows® FPU
- MIL-STD-810 C/D/E/F
- IP-54 Water & Dust Intrusion
- PC Serial Interface

DIGITAL COMMON

- NXDN® Digital Air Interface
- AMBE+2™ VOCODER
- 6.25 kHz Channels
- Over-the-Air Alias (TX Only)
- Paging Call
- Emergency Call
- All Group Call
- Status Messaging
- Remote Stun/Kill
- Remote Check
- NXDN® Scrambler Included

DIGITAL CONVENTIONAL MODE

- 64 Radio Access Numbers (RAN)
- Individual & Group Selective Call
- Conventional IP Networks
- Site Roaming

SCAN

- Single Zone Scan
- Single Priority Scan

ANALOG MODE - GENERAL

- 12.5 kHz Channels
- Conventional Zones
- FleetSync®, MDC-1200, DTMF
- QT/DQT/Two-Tone
- Voice Inversion Scrambler (16 Codes)

FleetSync®

- PTT ID ANI
- Selective / Group Call
- Emergency Status

MDC-1200

- PTT ID ANI
- Emergency, Radio Check & Inhibit

| MODEL | | LIST |
|--------------|--------------------------------------|-------------|
| NX-740HVK | 136-174 MHz VHF 50W, 16 Ch / 2 Zones | 484.00 |
| NX-840HUK | 450-520 MHz UHF 45W, 16 Ch / 2 Zones | 484.00 |

| MOBILE INSTALLATION ACCESSORIES | | LIST |
|--|---|-------------|
| KCT-60M | DB15-to-15pin Molex Adapter Cable | 29.00 |
| KCT-18 | Ignition sense cable (requires KCT-60M Acc. Cable Option) | 13.70 |
| KCT-36 | Extension Cable for KCT-34/35/39/40M/60M; 117.6 inches (9.8 ft) | 43.75 |
| KLF-2 | Line Filter (suppresses alternator whine, 25dB, 25A max). | 42.00 |
| KMB-10 | Key lock adapter | 26.30 |

| CONTROL STATION INSTALLATION ACCESSORIES | | LIST |
|---|---|-------------|
| KMC-9C | Control Station Desktop Microphone (8-pin mod. plug) | 86.00 |
| KMB-24 | Control Station Mounting Case for KPS-15 Power Supplies (mobile mounting hardware included) | 42.00 |
| KPS-15 | DC Switching Power Supply (117/230 VAC; 23A max. continuous, 25A peak) | 173.00 |

| MICROPHONES AND SPEAKERS | | LIST |
|---------------------------------|---|-------------|
| KMC-35 | MIL-SPEC Standard electret mobile microphone (8-pin mod. plug)-same as supplied | 52.50 |
| KMC-36 | MIL-SPEC Standard electret mobile microphone with 12-key DTMF (8-pin mod. plug) | 94.50 |
| KES-3 | External speaker (compact low profile; black case; 3.5 mm phono plug-in) | 44.25 |
| KES-5 | External speaker, 40W max input Note: requires KCT-60M installed | 61.25 |

| SERVICE RELATED ACCESSORIES | | LIST |
|------------------------------------|--|-------------|
| KPG-46UM | USB Programming interface cable | 158.50 |
| KPG-175DK | Windows® Programming Software for NX-740H/840H | 103.25 |

| INSTALLATION / TUNING CHARGES | | LIST |
|--------------------------------------|---|-------------|
| L-1778 | NX-740H/840H Programming (with basic TX/RX check) | 37.50 |

NX-900/901

NEXEDGE® 800/900 MHz Digital & FM Analog Mobile Radio



NX-900 mobile includes:

- Standard Microphone (KMC-35)
- Mounting Bracket
- DC Cable (KCT-23M)
- Blade Fuse
- Instruction Manual
- Premium Warranty: 3 Years*

* All Accessories / options: 1 Year

GENERAL FEATURES

- 15W (806-870 MHz) Model
- 15W (896-941 MHz) Model
- 512 CH-GID / 128 Zones
- Dash & Remote Mount
- 14 Character Alphanumeric Aliases
- Backlit Dot Matrix LCD
- Function/Status LCD Icons
- Multi-Language Display
- Date & 12/24 Hour Time Clock
- Transmit/Busy/Call Alert/Warn LED
- On/Off Power Control
- 4 Up/Down Selectors
- 6 Front PF Keys
- Emergency/AUX Key
- 4W Speaker Audio
- DB-25 Accessory Connector
- 9 Programmable AUX I/Os
- 2 Programmable AUX Outputs
- KPG-111D Windows® FPU
- Flash Firmware Upgrading
- MIL-STD-810 C/D/E/F/G
- IP54/55 Water & Dust Intrusion
- PC Serial Interface
- SDM Manual Input
- Transparent Data Mode
- GPS Receiver Option
- VGS-1 Voice Guide / Voice & GPS Data Storage Option

DIGITAL – GENERAL

- NXDN® Digital Air Interface
- AMBE+2™ VOCODER
- 6.25 & 12.5 kHz Channels
- Over-the- Air Alias
- Over-the- Air Programming
- Paging Call
- Emergency Call
- All Group Call
- Status Messaging
- Remote Stun/Kill
- Remote Check
- Short & Long Data Messages
- GPS Location with Voice
- NXDN® Scrambler Included
- DES Encryption Module Option
- AES & DES Encryption Module Option
- AES/DES Software Key Loader Option

DIGITAL CONVENTIONAL MODE

- 64 Radio Access Numbers (RAN)
- Individual & Group Selective Call
- Mixed FM/Digital Operation
- Conventional IP Networks
- Site Roaming

DIGITAL TRUNKING MODE

- Individual Private Call
- Group Call & Broadcast Call
- Telephone Interconnect
- Transmission Trunked Mode
- Message Trunked Mode
- Call Queuing with Priority
- Late Entry (UID & GID)
- 4 Priority Monitor ID's
- Remote Group Add
- Failsafe Mode

MULTI-SITE IP NETWORKS COMPATIBLE

- 60,000 GIDs / UIDs
- Wide Area Group Call
- Auto Roaming Registration
- Group Registration

MULTI-SYSTEM COMPATIBLE

- 8 Trunked Networks per radio (each in a zone)
- UID Lists for each network

SCAN

- Single Zone / Multi-Zone / List Scan
- Dual Priority Scan (Conventional)

ANALOG MODES - GENERAL

- 25** & 12.5 kHz Channels
- NPSPAC Channels**
- Conventional & LTR® Zones
- FleetSync®/II, MDC-1200, DTMF
- QT / DQT (Conventional Zones Only)
- Voice Inversion Scrambler
- Analog Scrambler Board Capability

MPT ZONES (option)

- Single-Site Trunking
- Multi-Site Network Trunking
- 8 Network Capacity
- Network Roaming / Registration

FleetSync®/II (FM)

- PTT ID ANI / Caller ID
- Selective / Group Call
- Emergency, Status & Text Messages

MDC-1200

- PTT ID ANI / Caller ID
- Emergency, Radio Check & Inhibit

** 800 MHz model only.

| MODEL | | LIST |
|--|---|-------------|
| NX-900K | 806-870 MHz 15W, 512 CH / 128 Zone | 995.00 |
| NX-901K | 896-941 MHz 15W, 512 CH / 128 Zone | 995.00 |
| MOBILE INSTALLATION ACCESSORIES | | LIST |
| KAP-2 | Horn Alert/P.A. Relay Option | 63.00 |
| KCT-46 | Ignition sense cable (plugs directly into mobile chassis ignition sense line) | 13.70 |
| KLF-2 | Line Filter (suppresses alternator whine, 25dB, 25A max). | 42.00 |
| KMB-10 | Key lock adapter | 26.30 |

MOBILE INSTALLATION ACCESSORIES (cont.) **LIST**

| | | |
|----------|---|--------|
| KRK-10 | Remote Control Kit (a remote control cable (23 ft) is included) | 105.00 |
| KRK-13 | Dual Control Head Kit (a control head, remote cables, and KMC-35 microphone included) Note: some operations have limitations. Please refer to Application Note avlb. on Kenwood Tools. Order: L-1776 if installation is required. | 959.00 |
| KCT-23M | DC Cable (35-50W Dash mount; pos/neg. 10 ft. leads) | 31.50 |
| KCT-23M3 | DC Cable (35-50W Remote mount; pos.23 ft.; neg. 3.3. ft. leads) | 34.75 |

CONTROL STATION INSTALLATION ACCESSORIES **LIST**

| | | |
|--------|--|--------|
| KMC-9C | Control Station Desktop Microphone (8-pin mod. plug) | 86.00 |
| KMB-24 | Control Station Mounting Case for KPS-15 Power Supplies (mobile mounting hardware included) | 42.00 |
| KPS-15 | DC Switching Power Supply (117/230 VAC; 23A max. continuous, 25A peak) | 173.00 |

MICROPHONES AND SPEAKERS **LIST**

| | | |
|--------|---|-------|
| KMC-35 | MIL-SPEC Standard electret mobile microphone (8-pin mod. plug) - same as supplied | 52.50 |
| KMC-36 | MIL-SPEC Standard electret mobile microphone with 12 keypad (8-pin mod. plug) | 94.50 |
| KMC-9C | Control Station Desktop Microphone (8-pin mod. plug) | 86.00 |
| KES-3 | External speaker (compact low profile; black case; 3.5 mm phono plug-in) | 44.25 |
| KES-5 | External speaker, 40W max input Note: requires KAP-2 (PA/HA unit) installed | 61.25 |

SOFTWARE OPTIONS **LIST**

| | | |
|-----------|--|--------|
| KPG-150AP | NEXEDGE OTAP Manager Windows Software. <ul style="list-style-type: none"> • License Includes 10 radios / 1 Serial Port* • To add more radios/serial ports, you must contact Kenwood Systems Division [1-800-TRUNKING] | 550.00 |
| KPG-151AE | AES/DES Encryption Software Key Loader for KWD-DE21K/KWD-AE21K KPG-151AE is a U.S. DOC/BIS Export Controlled Item (ECCN 5D002A) - See IMPORTANT NOTES - | 525.00 |

OPTION MODULES **LIST**

| | | |
|-----------|---|--------|
| KWD-AE20K | AES FIPS140-2 & DES Encryption Module for TK-5*10/5*20 & NX-*00/*10 Portables & Mobiles Order L-1720 if installation is required. KWD-AE20K requires: a Motorola KVL3000 Plus key loader device. KWD-AE20K is an U.S. DOC/BIS Export Controlled Item (ECCN 5A002A.1) - See IMPORTANT NOTES - | 998.00 |
| KWD-AE21K | AES & DES Encryption Module for TK-5*10/5*20 & NX-*00/*10 Portables & Mobiles Order L-1721 if installation is required. Note: Requires KPG-151AE software key loader or Motorola KVL3000 Plus key loader device. KWD-AE21K is an U.S. DOC/BIS Export Controlled Item (ECCN 5A002A.1) - See IMPORTANT NOTES - | 998.00 |
| KWD-DE21K | DES Encryption Module for TK-5*10/5*20 & NX-*00/*10 Portables & Mobiles Order L-1722 if installation is required Note: Requires KPG-151AE software key loader or Motorola KVL3000 Plus key loader device KWD-DE21K is a U.S. DOC/BIS Export Controlled Item (ECCN 5A992A) - See IMPORTANT NOTES - | 578.00 |
| VGS-1 | Voice Guide and Storage Unit | 87.50 |

| FleetSync® & NEXEDGE® AVL & MESSAGING | | LIST |
|--|---|-------------|
| GA25MCX | Garmin On-dash Style Magnetic base GPS Antenna for GPS15XL-W Note: shipped loose only; Install GA25MCX antenna to GPS15XL-W before vehicle install; Refer to 180/NX-Series In-depth Technical Manuals for mobile installation. | 62.00 |
| GPS15XL-W | Garmin Internal GPS Receiver Board for FleetSync® & NEXEDGE® AVL Note: <ul style="list-style-type: none"> • Conventional & LTR operation • NEXEDGE® Conventional & Trunking operation • Requires GA25 MCX GPS antenna • Refer to 180/NX-Series & KGS-3/KAS-10 In-Depth Technical Manuals for installation, programming & KGS-3/KAS-10 software setup. Refer to www.garmin.com for GPS-15L-W technical specifications. • Option: Order L-1098 for Kenwood Long Beach installation | 130.25 |
| KAS-10 | FleetSync® & NEXEDGE® AVL & Messaging Software with NEXEDGE Trunking VoIP Dispatch Note: Users can chose to operate Messaging, AVL or VoIP or all three if desired. Compatible with Windows® XP, VISTA & 7 and Microsoft® MapPoint®2006/2009/2010 (certain format bitmap images can be imported). Refer to KAS-10 product spec sheets and manuals for details. | 434.00 |
| KGS-3 | FleetSync® & NEXEDGE® AVL & Messaging Software (Windows® 2000/XP compatible), Note: AVL operation /use is not required. Compatible with Microsoft® MapPoint®2004/2006 Software or certain type imported maps (purchase aftermarket separately) Refer to KGS-3 spec sheet for detailed features & requirements. | 347.00 |
| NEXEDGE® Wireless Image System | | LIST |
| KAS-11 | NEXEDGE® Image Viewer Software (Windows® XP/VISTA/7 compatible), Note: • Wireless Image System Base Station Operation. <ul style="list-style-type: none"> • Works with NX-700/800 6.25/12.5Khz Digital mode, Radio to Radio, via Conventional Repeater, Trunking Repeater and Conventional IP Network. • Refer to Wireless Image Basic Operation and Installation Guide for detailed features & requirements. | 250.00 |
| KVT-11 | NEXEDGE® Image Encoder Unit Note: • Wireless Image System Monitor Station Operation. <ul style="list-style-type: none"> • KAS-11 is required for programming. • Not include Cameras (purchase aftermarket separately). • Works with NX-700/800 6.25/12.5Khz Digital mode, Radio to Radio, via Conventional Repeater, Trunking Repeater and Conventional IP Network. • Refer to Wireless Image Basic Operation and Installation Guide for detailed features & requirements. | 575.00 |
| L-1687 | NX-700/800 Flow Control Modification | 60.00 |
| SERVICE RELATED ACCESSORIES | | LIST |
| KPG-111DNK | Windows® Programming Software for NX-200/210/300/410/411/700/800/900/901 (Compliant with FCC Part 90 Narrowbanding) | 103.25 |
| KPG-46UM | USB Programming interface cable | 158.50 |

| INSTALLATION / TUNING CHARGES | | LIST |
|--------------------------------------|--|-------------|
| L-1087 | Install VGS-1 Voice Guide & Storage Unit Note: VGS-1 installation precludes any ANI or encryption board installation | 25.00 |
| L-1094 | Install KAP-2 (Default) HR1/Internal Sp./PA | 25.00 |
| L-1098 | Install Garmin GPS15XL-W in NX-Series mobile for FleetSync® AVL | 100.00 |
| L-1099 | Assemble NX-700/800/900/901 with KRK-10 Remote Kit | 42.00 |
| L-1687 | NX-700/800/900/901 Flow Control Modification | 60.00 |
| L-1692 | NX-900/901 Programming (with basic TX/RX check) | 37.50 |
| L-1720 | Install KWD-AE20K in NX-700/800/900/901 Mobiles (Must purchase module separately) | 75.00 |
| L-1721 | Install KWD-AE21K in NX-700/800/900/901 Mobiles (Must purchase module separately) | 75.00 |
| L-1722 | Install KWD-DE21K in NX-700/800/900/901 Mobiles (Must purchase module separately) | 75.00 |
| L-1776 | Assemble NX-700/800/900/901 with KRK-13 Dual Remote Kit | 42.00 |

| MPT FIRMWARE/ACCESSORIES/TUNING | | LIST |
|--|--|-------------|
| KPG-143DNK | Windows® Programming Software for NX series MPT (Compliant with FCC Part 90 Narrowbanding) (Dealer Level License ID included) Note: Must order L-1727 for Network Level License ID & programming privileges | 103.25 |
| KWD-NX10MPT | MPT Trunking Field Upgrade Kit for NX series radio Must order L-1729 Note: Not compatible with any other firmware options. Radio does not retain LTR trunking features once the MPT option is installed. | 66.70 |
| L-1726 | Install MPT option in NX series radio | 25.00 |
| L-1727 | Network Level License ID for KPG-143D(N) NX series Programmer | 158.33 |
| L-1728 | Retrofit Install of MPT option in NX series radio For previously purchased NX series radios. Order L-1728 through LMR order desk/rep. Ship radios to attn: Kenwood LMR Tuning, Long Beach for installation. Include Kenwood order number for L-1728 provided by order desk & copy of company P.O. or P.O. number. Note: see NX series MPT Introduction Sales Bulletin for details | 85.00 |
| L-1729 | NX Series Radio MPT Firmware FIELD-UPGRADE (Must purchase KWD-NX10MPT separately) | NC |

-- IMPORTANT NOTES --

Encryption modules, key loaders and radios containing encryption are export controlled by the U.S. Department of Commerce Bureau of Industry & Security EAR regulations and may either require an Export License, are eligible for a License Exception (ENC) or are exportable with No License Required (NLR) depending on the country, the consignee and the intended use. High level encryption is a special commodity that may require an export license to most countries. See www.bis.gov for more information regarding export regulations. DO NOT SHIP encryption items outside the U.S. without proper DOC/BIS Export Licenses and/or compliances.

Kenwood may request the following information to be submitted at time of order (this information must meet Kenwood internal approvals prior to shipment even if being returned to Kenwood later:

a) Initial Destination: Initial delivery point if different from Ultimate Destination
(customer distribution center, headquarters, dealership, manufacturer's representative)

* Business/Agency Name:

* Address:

* Contact Person Name:

* Contact Phone:

b) Ultimate Destination: Final delivery point(s); deployment/distribution

* Business/Agency Name:

* Address:

* Contact Person Name:

* Contact Phone:

c) Intended Use of Radios: Law enforcement, security, operations, etc.

KWD-AE20 AES FIPS140-2 SCM , NIST Validation & Customer Shipping

A secure delivery method direct to the end user customer is required by the NIST AES FIPS 140-2 validation rules. For U.S. Federal Government entities the SCM must ship from Kenwood USA Corporation directly to the end user customer by a trusted carrier (FEDEX, UPS or a designated Kenwood USA Corporation employee); shipping/handling by a dealer or other entity is not acceptable. This may or may not be required by local/state government agencies or business/industrial users. Please check with the end use customer about their AES encryption handling requirements before ordering. Kenwood will not be responsible for shipments of KWD-AE20K modules to erroneous destinations specified on an order.

NX-920G

NEXEDGE® 800 MHz Digital & FM Analog Mobile Radios



All NX-x20 series mobiles include:

- Standard Microphone (KMC-35)
- Mounting Bracket
- DC Cable (KCT-23M)
- 15A Fuse
- Instruction Manual
- Premium Warranty: 3 Years*

* All Accessories / options: 1 Year

GENERAL FEATURES

- 15W (806-870 MHz) Model
- 260 CH-GID / 128 Zones
- 10 Character Alphanumeric Aliases
- Backlit LCD & Keys
- Function/Status LCD Icons
- Transmit/Busy/Call Alert/Warn LED
- Blue Function/Status LED
- On/Off Power Control
- 4 Up/Down Selectors
- 6 Front PF Keys
- Emergency/AUX Key
- 4W Speaker Audio
- Zone / CH Number Voice Announcement
- DB-15 Accessory Connector
- 6 Programmable AUX I/Os
- KPG-141D Windows® FPU
- Flash Firmware Upgrading
- MIL-STD-810 C/D/E/F/G
- IP-54 Water & Dust Intrusion
- PC Serial Interface
- SDM Manual Input
- Transparent Data Mode
- Built-in GPS Receiver

DIGITAL GENERAL

- NXDN® Digital Air Interface
- AMBE+2™ VOCODER
- 6.25 & 12.5 kHz Channels
- Over-the-Air Alias
- Over-the-Air Programming
- Paging Call
- Emergency Call
- All Group Call
- Status Messaging
- Remote Stun/Kill
- Remote Check
- Short & Long Data Messages
- GPS Location with Voice
- NXDN® Scrambler Included

DIGITAL CONVENTIONAL MODE

- 64 Radio Access Numbers (RAN)
- Individual & Group Selective Call
- Mixed FM/Digital Operation
- Conventional IP Networks
- Site Roaming

DIGITAL TRUNKING MODE

- Individual Private Call
- Group Call & Broadcast Call
- Telephone Interconnect
- Transmission Trunked Mode
- Message Trunked Mode
- Call Queuing with Priority
- Late Entry (UID & GID)
- 4 Priority Monitor ID's
- Remote Group Add
- Failsoft Mode

MULTI-SITE IP NETWORKS COMPATIBLE

- 60,000 GIDs / UIDs
- Wide Area Group Call
- Auto Roaming Registration
- Group Registration

MULTI-SYSTEM COMPATIBLE

- 8 Trunked Networks
- UID Lists for each network

SCAN

- Single Zone / Multi-Zone / List Scan
- Dual Priority Scan (Conventional)

FM MODES - GENERAL

- 25 & 12.5 kHz Channels
- NPSPAC Channels
- Conventional & LTR® or MPT Zones
- FleetSync®/II, MDC-1200, DTMF
- QT / DQT (Conventional Zones Only)
- Voice Inversion Scrambler (16 Codes)

MPT ZONES*

- Single-Site Trunking
- Multi-Site Network Trunking
- 8 Network Capacity
- Network Roaming / Registration

FleetSync®/II (FM)

- PTT ID ANI / Caller ID
- Selective / Group Call
- Emergency, Status & Text Messages

MDC-1200

- PTT ID ANI / Caller ID
- Emergency, Radio Check & Inhibit

* Optional feature

| MODEL | | LIST |
|--------------|------------------------------------|-------------|
| NX-920GK | 806-870 MHz 15W, 260 CH / 128 Zone | 862.00 |

| MOBILE INSTALLATION ACCESSORIES | | LIST |
|--|---|-------------|
| KCT-18 | Ignition sense cable (requires KCT-60M Acc. Cable Option) | 13.70 |
| KCT-36 | Extension Cable for KCT-34/35/39/40M/60M; 117.6 inches (9.8 ft) | 43.75 |
| KCT-60M | DB15-to-15pin Molex Adapter Cable | 29.00 |
| KLF-2 | Line Filter (suppresses alternator whine, 25dB, 25A max). | 42.00 |
| KMB-10 | Key lock adapter | 26.30 |

| CONTROL STATION INSTALLATION ACCESSORIES | | LIST |
|--|--|-------------|
| KMC-9C | Control Station Desktop Microphone (8-pin mod. plug) | 86.00 |
| KMB-24 | Control Station Mounting Case for KPS-15 Power Supplies (mobile mounting hardware included) | 42.00 |
| KPS-15 | DC Switching Power Supply (117/230 VAC; 23A max. continuous, 25A peak) | 173.00 |
| MICROPHONES AND SPEAKERS | | LIST |
| KMC-35 | MIL-SPEC Standard electret mobile microphone (8-pin mod. plug) - same as supplied | 52.50 |
| KMC-36 | MIL-SPEC Standard electret mobile microphone with 12-key DTMF (8-pin mod. plug) | 94.50 |
| KMC-9C | Control Station Desktop Microphone (8-pin mod. plug) | 86.00 |
| KES-3 | External speaker (compact low profile; black case; 3.5 mm phono plug-in) | 44.25 |
| KES-5 | External speaker, 40W max input Note: requires KCT-60M installed | 61.25 |
| SOFTWARE OPTIONS | | LIST |
| KPG-150AP | NEXEDGE OTAP Manager Windows Software. • License Includes 10 radios / 1 Serial Port* • To add more radios/serial ports, you must contact Kenwood Systems Division [1-800-TRUNKING] | 550.00 |
| FleetSync® & NEXEDGE® AVL & MESSAGING | | LIST |
| KAS-10 | FleetSync® & NEXEDGE® AVL & Messaging Software with NEXEDGE Trunking VoIP Dispatch Note: Users can chose to operate Messaging, AVL or VoIP or all three if desired. Compatible with Windows® XP, VISTA & 7 and Microsoft® MapPoint® 2006/2009/2010 (certain format bitmap images can be imported). Refer to KAS-10 product spec sheets and manuals for details. | 434.00 |
| KGS-3 | FleetSync® & NEXEDGE® AVL & Messaging Software (Windows® 2000/XP compatible), Note: AVL operation /use is not required. Compatible with Microsoft® MapPoint® 2004/2006 Software or certain type imported maps (purchase aftermarket separately) Refer to KGS-3 spec sheet for detailed features & requirements. | 347.00 |
| KRA-40GM | GPS Antenna | 42.00 |
| SERVICE RELATED ACCESSORIES | | LIST |
| KPG-141DNK | Windows® Programming Software for NX-220/320/420/720/820/920 (Compliant with FCC Part 90 Narrowbanding) | 103.25 |
| KPG-46UM | USB Programming interface cable | 158.50 |
| INSTALLATION / TUNING CHARGES | | LIST |
| L-1727 | Network Level License ID for KPG-143D(N) NX series Programmer | 158.33 |
| L-1751 | NX-720HG/820HG/920G Programming (with basic TX/RX check) | 37.50 |
| MPT FIRMWARE/ACCESSORIES/TUNING | | LIST |
| KPG-143DNK | Windows® Programming Software for NX series MPT (Compliant with FCC Part 90 Narrowbanding) (Dealer Level License ID included) Note: Must order L-1727 for Network Level License ID & programming privileges | 103.25 |
| KWD-NX10MPT | MPT Trunking Field Upgrade Kit for NX series radio Must order L-1729 Note: Refer to NX series MPT Price Pages. Not compatible with any other firmware options. Radio does not retain LTR trunking features once the MPT option is installed. | 66.70 |
| L-1726 | Install MPT option in NX series radio | 25.00 |
| L-1728 | Retrofit Install of MPT option in NX seires radio For previously purchased NX series radios. Order L-1728 through LMR order desk/rep. Ship radios to attn: Kenwood LMR Tuning, Long Beach for installation. Include Kenwood order number for L-1728 provided by order desk & copy of company P.O. or P.O. number. Note: see NX series MPT Introduction Sales Bulletin for details | 85.00 |
| L-1729 | NX Series Radio MPT Firmware FIELD-UPGRADE (Must purchase KWD-NX10MPT separately) | NC |

TK-7180 / 8180

VHF/UHF Trunking & Conventional Mobile Radios



All 180 series mobiles include:

- Standard Microphone (KMC-35)
- Mounting Bracket
- DC Cable (KCT-23M)
- Blade Fuse
- Instruction Manual
- Premium Warranty: 3 Years*

* All Accessories / options: 1 Year

* TX Power is derated at 490-512 MHz

| | |
|------------|--------------------|
| TK-8180K: | 450-489 MHz (30 W) |
| | 490-512 MHz (25 W) |
| TK-8180HK: | 450-489 MHz (45 W) |
| | 490-512 MHz (40 W) |

GENERAL FEATURES

- 30/50 W (136-174 MHz)
- 30/45 W (450-520*, 400-470 MHz)
- Conventional & LTR® Zones
- MPT1327 Trunking Option
- Remote Control Head Option
- 12 Character Alphanumeric Aliases
- Backlit Dot Matrix LCD
- 3-Digit Sub-Display
- Function / Status LCD Icons
- RSSI Indicator
- Date & 12/24 Hour Time Clock
- Transmit / Busy / Call Alert / Warn LED
- 6 Backlit PF Keys
- Emergency / AUX Key
- Enhanced Kenwood Audio
- Front Panel Speaker
- Companded Audio
- Voice Inversion Scrambler Built-in
- Easy Option Port
- Encryption / ANI Board Control
- VGS-1 Voice Guide / Storage Option
- Emergency Call Features
- DTMF Encode / Decode
- Special Alert Tone Patterns
- Call Key
- Time Out Timer
- Busy Channel Lockout
- Timed Power Off
- DB-25 Accessory Connector
- 9 Programmable AUX I/Os
- 2 Programmable AUX Outputs
- Ignition Sense
- Public Address / Horn Alert Option
- MIL-Spec Standard Mic
- MIL-Spec 12-Key DTMF Mic Option
- Windows® Programming & Tuning
- Windows® Firmware Uploading
- Front Panel Test / Tune
- Cloning
- MIL-STD-810 C/D/E/F/G
- MIL-STD "Driven-Rain"
- IP-54/55 Water & Dust Intrusion

CONVENTIONAL ZONES

- 512 Channels / 128 Zones
- QT / DQT
- Two-Tone Decode
- Single / Two-Tone Encode
- Operator Selectable Tone
- Dual Priority Scan
- Single & Multi-Zone Scan
- List Scan

TRUNKED ZONES

- 512 GID / 128 Zones
- Kenwood LTR® Features

FleetSync®

- FleetSync® or FleetSync® II
- PTT ID Digital ANI
- Selective Call & Group Call
- Status Messaging
- Emergency Status
- Caller ID Display
- Short & Long Text Messages
- Power On/Off Status Messages
- Input / Output Status Messages
- FleetSync® GPS Ready
- Send GPS PF Key
- PTT ID & Emergency GPS Reporting
- Status Message Block GPS Reporting
- Ignition On/Off GPS Reporting
- VGS-1 GPS Data Storage
- PC Serial Interface

MPT ZONES (option)

- Single-Site Trunking
- Multi-Site Network Trunking
- 8 Network Capacity
- Network Roaming / Registration

MDC-1200

- PTT ID Digital ANI
- Caller ID Display
- Emergency Status
- Radio Check
- Radio Inhibit

| MODEL | | LIST |
|------------|---|--------|
| TK-7180K | 136-174 MHz 30W, 512 CH / 128 Zone CONV-& LTR | 586.00 |
| TK-7180HK | 136-174 MHz 50W, 512 CH / 128 Zone CONV-& LTR | 718.00 |
| TK-8180K | 450-520 MHz 30W, 512 CH / 128 Zone CONV-& LTR | 604.00 |
| TK-8180HK | 450-520 MHz 45W, 512 CH / 128 Zone CONV-& LTR | 735.00 |
| TK-8180K2 | 400-470 MHz 30W, 512 CH / 128 Zone CONV-& LTR | 604.00 |
| TK-8180HK2 | 400-470 MHz 45W, 512 CH / 128 Zone CONV-& LTR | 735.00 |

| MOBILE INSTALLATION ACCESSORIES | | LIST |
|---------------------------------|--|--------|
| KAP-2 | Horn Alert/P.A. Relay Option Note: For MPT, HA operates in Trunked Mode only | 63.00 |
| KCT-46 | Ignition sense cable (plugs directly into mobile chassis ignition sense line) | 13.70 |
| KLF-2 | Line Filter (suppresses alternator whine, 25dB, 25A max). | 42.00 |
| KMB-10 | Key lock adapter | 26.30 |
| KRK-10 | Remote Control Kit (a remote control cable (23 ft) is included) | 105.00 |

CONTROL STATION INSTALLATION ACCESSORIES **LIST**

| | | |
|--------|---|--------|
| KMC-9C | Control Station Desktop Microphone (8-pin mod. plug) | 86.00 |
| KMB-24 | Control Station Mounting Case for KPS-15 Power Supplies (mobile mounting hardware included) | 42.00 |
| KPS-15 | DC Switching Power Supply (117/230 VAC; 23A max. continuous, 25A peak) | 173.00 |

MICROPHONES AND SPEAKERS **LIST**

| | | |
|--------|---|-------|
| KMC-35 | MIL-SPEC Standard electret mobile microphone (8-pin mod. plug) - same as supplied | 52.50 |
| KMC-36 | MIL-SPEC Standard electret mobile microphone with 12 keypad (8-pin mod. plug) | 94.50 |
| KMC-9C | Control Station Desktop Microphone (8-pin mod. plug) | 86.00 |
| KES-3 | External speaker (compact low profile; black case; 3.5 mm phono plug-in) | 44.25 |
| KES-5 | External speaker, 40W max input Note: requires KAP-2 (PA/HA unit) installed | 61.25 |

FleetSync® MOBILE DATA TERMINAL **LIST**



KDS-100 Data Terminal includes:

- Mounting bracket
- Mounting hardware
- DC Cable

KDS-100 FEATURES

- Increases FleetSync® Message Viewing: 40 Character x 6 line Dot Matrix LCD
 - View 5 line Message List x 23 Char. @ line (vs. 1 line Message x 16 Char. scrolling)
 - View Short Text Messages (48 Char.) at once (vs. 48 Char. scrolling)
 - View Long Text Message (1024 Char.) at once (vs. not available)
- Increases FleetSync® ID Capacity: 511 IDs (vs. 100 IDs)
 - Base stations can handle larger size fleets
- Increases Status Message List Capacity: 89 Messages (vs. 50 Msgs.)
 - More dispatcher-to-fleet type messages for different job tasks
 - More fleet-to-dispatcher type messages for responses/statuses
- Increased Status Message Stack Memory: 367 Messages (vs. 9 Msg.s)
- Increased Short Text Message Stack Memory: 367 Messages (vs. 4 Msg.s)
- Lithium Cell Memory Backup Battery (vs. radio-only volatile message memory)
- Large Backlit LCD & Function Keys
- Simple Installation
- Windows® Compatible Programming Software
- Programming Password Protection
- Built-in FleetSync® DSP Modem
- Real-Time Clock/Message Time Stamping
- 10 Status Message 'Hot Keys'
- Message Sorting & Deletion Screens
- Message Temporary Recycle Bin
- New Message Tone and LED Alerts
- Buzzer Volume Level
- Flashrom Firmware Memory

Important Note:

1. KDS-100 Compatible Dispatch Software May Be Required - The KDS-100 used a fleet unit will decode Status Messages and Selective Calls sent other FleetSync®-capable portables or mobiles, from a KDS-100 with a FleetSync® capable mobile (PC mode) or a KDS-100 with a non-FleetSync® capable mobile (air mode). However, Short and Long Text Messaging requires a base station FleetSync® capable mobile PC Serial Interfaced with computer running a FleetSync® compatible dispatch software capable of creating and sending Short/Long Text Messages. This software is available from vendors such as:
 - IDA Corporation, Fargo ND: KenCall Dispatch software
 - Kenwood Communications Corporation: Fleet Dispatch Pro software

2. The KDS-100 cannot be used simultaneously with a Kenwood KGP-2A/2B AVL unit.

| | | |
|----------|--|--------|
| KDS-100 | FleetSync® Data Terminal Note: The KDS-100 pigtail cable (1.83 ft) combined with the KDS-100 mobile interface cables KCT-34/35/39/40M (1 ft.) and use a KCT-36 (9.8 ft.) for an extension. | 625.00 |
| KPG-71DK | Windows® Programming Software for KDS-100 | 103.25 |
| KCT-40M | Radio Interface Cable for KGP-2A/2B & KDS-100 | 29.00 |
| KCT-36 | Extension Cable for KCT-34/35/39/40M; 117.6 inches (9.8 ft) | 43.75 |

| FleetSync® MESSAGING | | LIST |
|-----------------------------|--|-------------|
| KAS-2FSD | <p>FleetDispatchPRO: FleetSync® messaging dispatch software for PC</p> <p>Note:</p> <ul style="list-style-type: none"> • TK-7180/8180 base mobile requires a DB-25 PC serial cable to connect to the base computer (purchase aftermarket seperately). • Supports FleetSync® PTT ID, Emergency, Status/Text Messaging for all FleetSync compatible portables & mobiles. • KDS-100 fleet units are compatible with the KAS-2FSD FleetSync calling & messaging features. • Refer to KAS-2FSD spec sheet for detailed features & requirements | 384.00 |

| FleetSync® AVL & MESSAGING | | LIST |
|---------------------------------------|---|-------------|
| KAS-10 | <p>FleetSync® & NEXEDGE® AVL & Messaging Software with NEXEDGE Trunking VoIP Dispatch</p> <p>Note: Users can chose to operate Messaging, AVL or VoIP or all three if desired. Compatible with Windows® XP, VISTA & 7 and Microsoft®MapPoint®2006/2009/2010 (certain format bitmap images can be imported). Refer to KAS-10 product spec sheets and manuals for detials.</p> | 434.00 |
| KGS-3 | <p>FleetSync® & NEXEDGE™ AVL & Messaging Software (Windows® 2000/XP compatible),</p> <p>Note: AVL operation /use is not required. Compatible with Microsoft®MapPoint®2004/2006 Software or certain type imported maps (purchase aftermarket seperately)</p> <p>Refer to KGS-3 spec sheet for detailed features & requirements.</p> | 347.00 |
| GPS15XL-W | <p>Garmin Internal GPS Receiver Board for FleetSync® AVL</p> <p>Note:</p> <ul style="list-style-type: none"> • Conventional & LTR operation only • Requires GA25 MCX GPS antenna • Refer to 180/NX-Series & KGS-3 In-Depth Technical Manuals for installation, programming & KGS-3 software setup. Refer to www.garmin.com for GPS-15L-W technical specifications. • Option: Order L-1033 for Kenwood Long Beach installation | 130.25 |
| GA25MCX | <p>Garmin On-dash Style Magnetic base GPS Antenna for GPS15XL-W</p> <p>Note: shipped loose only; Install GA25MCX antenna to GPS15XL-W before vehicle install; Refer to 180/NX-Series In-depth Technical Manuals for mobile installation.</p> | 62.00 |

| OPTION MODULES | | LIST |
|-----------------------|------------------------------|-------------|
| VGS-1 | Voice Guide and Storage Unit | 87.50 |

| FRIMWARE OPTIONS | | LIST |
|-------------------------|--|-------------|
| KWD-180MPT | <p>MPT Trunking Field Upgrade Kit for 180-Series</p> <p>Must order L-1620</p> <p>Note: Refer to 180-Series MPT Price Pages and 180-Series MPT In-Depth Technical Manuals for feature details (available from technical support). Not compatible with any other firmware options</p> <p>Radio does not retain all normal 180-Series conventional or LTR trunking features once the MPT option is installed.</p> | 43.75 |
| KWD-180TFS | <p>TFS-- Tactical Feature Set-- Field Upgrade Kit for 180-Series</p> <p>Must order L-1625</p> <p>Note: Refer to 180-Series "Tactical Feature Set" In-Depth Technical Manual for feature details (available from technical support). Not compatible with any other firmware options.</p> | 105.00 |

| SERVICE RELATED ACCESSORIES | | LIST |
|--|---|-------------|
| KPG-46UM | USB Programming interface cable | 158.50 |
| KPG-89DNK | Windows® Programming Software for TK-2180/3180/7180/8180 (Compliant with FCC Part 90 Narrowbanding) Note: Self-programming & Tactical Feature Set* functions are not available. * KPG-89DK is required for Tactical Feature Set. KPG-89DK is no longer supported or distributed by Kenwood | 103.25 |
| ***** Contact Kenwood Parts for Price and Availability 800-367-7514 on the following: | | |
| E30-3382-05 | Clone cable | --- |
| J29-0662-03 | Mounting bracket for TK-7180/8180/7160/8160--same as supplied w/ radio (order N99-2039-05 for mounting screw set) | --- |

| INSTALLATION / TUNING CHARGES | | LIST |
|--------------------------------------|--|-------------|
| L-962 | Install VGS-1 Voice Guide & Storage Unit Note: VGS-1 installation precludes any ANI or encryption board installation | 25.00 |
| L-965 | TK-7180/8180 Programming (with basic TX/RX check) | 37.50 |
| L-966 | Install KAP-2 (Default) HR1/Internal Sp./PA | 25.00 |
| L-968 | Assemble TK-7180/8180 with KRK-10 Remote Kit | 42.00 |
| L-1010 | Install KAP-2 (External Sp.) HR1/External Sp./PA | 25.00 |
| L-1033 | Install Garmin GPS15XL-W in 180-Series mobile for FleetSync® AVL Note: The KGS-3 & GPS15XL-W are not compatible with KGP-2A/2B AVL systems | 100.00 |
| L-1052 | TK-7180/8180 TFS INSTALLATION Note: KPG-89DK is required to program the TFS (Tactical Feature Set). KPG-89DK is no longer supported or distributed by Kenwood. TFS will not work with KPG-89DNK. | 100.00 |
| L-1620 | 180 Portable KWD-180MPT FIELD-UPGRADE (Must purchase KWD-180MPT separately) | NC |
| L-1625 | 180 Portable KWD-180TFS FIELD-UPGRADE (Must purchase KWD-180TFS separately) | NC |

| MPT FIRMWARE/ACCESSORIES/TUNING | | LIST |
|--|--|-------------|
| KMC-32 | Standard mobile microphone with 16-key DTMF (8-pin mod. plug) | 70.00 |
| KPG-96DNK | Windows® Programming Software for 180-Series MPT (Compliant with FCC Part 90 Narrowbanding) (Dealer Level License ID included) Note: Must order L-1013 for Network Level License ID & programming privileges | 103.25 |
| L-1012 | Install MPT option in 180-Series radio | 16.67 |
| L-1013 | Network Level License ID for KPG-96D(N) 180-Series Programmer | 158.33 |
| L-1014 | Retrofit Install of MPT option in 180-Series radio (for previously purchased 180-Series radios.) Order L-1014 through LMR order desk/rep. Ship radios to attn: Kenwood LMR Tuning, Long Beach for installation. Include Kenwood order number for L-1014 provided by order desk & copy of company P.O. or P.O. number. Note: Only certain Serial Number Lots produced in late 2004 and later can be retrofitted - see 180-Series MPT Introduction Sales Bulletin for details | 85.00 |

TK-7360HV / 8360HU V2.0
VHF/UHF Trunking & Conventional Mobile Radios



All 360 series mobiles include:

- Standard Microphone (KMC-35)
- Mounting Bracket
- DC Cable (KCT-23M)
- 15A Fuse
- Instruction Manual
- Standard Warranty: 2 Years*

* All Accessories / options: 1 Year

GENERAL FEATURES

- 50 W (136-174 MHz) Model
- 45 W (450-520 MHz) Model
- Conventional & LTR® Zones
- 10-Character Alphanumeric Aliases
- Backlit LCD & Keys
- Function/Status LCD Icons
- Blue Function / Status LED
- Transmit /Busy / Call Alert LED
- 10 Programmable Function Keys
- Emergency / AUX Key
- Front Panel Speaker
- Companded Audio
- Voice Inversion Scrambler Built-in
- 16 Scrambler Codes (per CH)
- Encryption / Board Control
- Emergency Call Features
- Lone Worker Alert
- DTMF Encode / Decode
- Special Alert Tone Patterns
- Busy Channel Lockout
- Time Out Timer
- Timed Power Off
- DB15 Accessory Interface
- 8 Programmable I/O Ports
- Ignition Sense
- Public Address / Horn Alert Output
- MIL-Spec Standard Mic
- MIL-Spec 12-Key DTMF Mic Option
- Windows® Programming & Tuning
- Easy Option Ports (26-pin)
- Cloning
- Voice Guide & Storage (Option)
- MIL-STD-810 C/D/E/F/G
- IP54 Water & Dust Intrusion

CONVENTIONAL ZONES

- 128 Channels / 128 Zones
- QT / DQT
- Two-Tone Decode
- Single & Two-Tone Encode
- Operator Selectable Tone
- Single Priority Scan
- Single / Multi-Zone Scan

TRUNKED ZONES

- 128 GID / 128 Zones
- Kenwood LTR® Feature

FleetSync® /II (FM)

- PTT ID Digital ANI
- Selective Call & Group Call
- Paging Call
- Status Messaging
- Emergency Status
- Caller ID Display
- Input / Output Status Messages
- FleetSync® GPS Ready
- Send GPS PF Key
- PTT ID & Emergency GPS Reporting
- GPS Auto Reporting

MDC-1200

- PTT ID Digital ANI
- Caller ID Display
- Emergency Status
- Radio Check
- Radio Inhibit

| MODEL | | LIST |
|--------------|---|-------------|
| TK-7360HVK | 136-174 MHz 50W, 128 CH / 128 Zone CONV-& LTR | 467.00 |
| TK-8360HUK | 450-520 MHz 45W, 128 CH / 128 Zone CONV-& LTR | 484.00 |

| MOBILE INSTALLATION ACCESSORIES | | LIST |
|--|---|-------------|
| KCT-60M | DB15-to-15pin Molex Adapter Cable | 29.00 |
| KCT-18 | Ignition sense cable (requires KCT-60M Acc. Cable Option) | 13.70 |
| KCT-36 | Extension Cable for KCT-34/35/39/40M/60M; 117.6 inches (9.8 ft) | 43.75 |
| KLF-2 | Line Filter (suppresses alternator whine, 25dB, 25A max). | 42.00 |
| KMB-10 | Key lock adapter | 26.30 |

| CONTROL STATION INSTALLATION ACCESSORIES | | LIST |
|---|---|-------------|
| KMC-9C | Control Station Desktop Microphone (8-pin mod. plug) | 86.00 |
| KMB-24 | Control Station Mounting Case for KPS-15 Power Supplies (mobile mounting hardware included) | 42.00 |
| KPS-15 | DC Switching Power Supply (117/230 VAC; 23A max. continuous, 25A peak) | 173.00 |

| MICROPHONES AND SPEAKERS | | LIST |
|---------------------------------|---|-------------|
| KMC-35 | MIL-SPEC Standard electret mobile microphone (8-pin mod. plug) - same as supplied | 52.50 |
| KMC-36 | MIL-SPEC Standard electret mobile microphone with 12-key DTMF (8-pin mod. plug) | 94.50 |
| KMC-9C | Control Station Desktop Microphone (8-pin mod. plug) | 86.00 |
| KES-3 | External speaker (compact low profile; black case; 3.5 mm phono plug-in) | 44.25 |
| KES-5 | External speaker, 40W max input Note: requires KCT-60M installed | 61.25 |

| FleetSync® AVL | | LIST |
|-----------------------|---|-------------|
| GPS15XL-W | Garmin Internal GPS Receiver Board for FleetSync® AVL Note: <ul style="list-style-type: none"> • Conventional operation only • Requires GA25 MCX GPS antenna • Refer to www.garmin.com for GPS-15L-W technical specifications. • Option: Order L-1690 for Kenwood Long Beach installation | 130.25 |
| GA25MCX | Garmin On-dash Style Magnetic base GPS Antenna for GPS15XL-W Note: shipped loose only; Install GA25MCX antenna to GPS15XL-W before vehicle install. | 62.00 |

| OPTION MODULES | | LIST |
|-----------------------|------------------------------|-------------|
| VGS-1 | Voice Guide and Storage Unit | 87.50 |

| SERVICE RELATED ACCESSORIES | | LIST |
|------------------------------------|--|-------------|
| KPG-135DNK | Windows® Programming Software for TK-7360/8360 | 103.25 |
| KPG-46UM | USB Programming interface cable | 158.50 |
| ***** | Contact Kenwood Parts for Price and Availability 800-367-7514 on the following: | |
| E30-3382-05 | Clone cable | --- |
| J29-0662-03 | Mounting bracket - same as supplied w/ radio (order N99-2039-05 for mounting screw set) | --- |

| INSTALLATION / TUNING CHARGES | | LIST |
|--------------------------------------|--|-------------|
| L-1689 | TK-7360/8360 Programming (with basic TX/RX check) | 37.50 |
| L-1690 | Install Garmin GPS15XL-W in 360-Series mobile for FleetSync® AVL | 100.00 |
| L-1693 | Install VGS-1 Voice Guide & Storage Unit Note: VGS-1 installation precludes any ANI or encryption board installation | 25.00 |

TK-7302HV / 8302HU
VHF/UHF Conventional Mobile Radios



All 302 series mobiles include:

- Standard Microphone (KMC-35)
- Mounting Bracket
- DC Cable (KCT-23M)
- 15A Fuse
- Instruction Manual
- Standard Warranty: 2 Years*

* All Accessories / options: 1 Year

GENERAL FEATURES

- 50 W (136-174 MHz) Model
- 45 W (450-520 MHz) Model
- Conventional Zones
- 16 Channels / 2 Zones
- Single Priority Scan
- Single / Multi-Zone Scan
- 2-Digit LED Channel Display
- Function/Status LED Dots
- Blue Function/Status LED
- Transmit /Busy / Call Alert LED
- Backlit Keys
- 9 Programmable Function Keys
- Emergency / AUX Key
- Front Panel Speaker
- Companded Audio
- Voice CH# Announcement (8 Languages)
- Voice Inversion Scrambler Built-in
- 16 Scrambler Codes (per CH)
- Encryption Board Control
- Emergency Call Features
- Lone Worker Alert
- QT / DQT
- Operator Selectable Tone
- Two-Tone Decode
- Single & Two-Tone Encode
- DTMF Encode / Decode
- Special Alert Tone Patterns
- Busy Channel Lockout
- Time Out Timer
- Timed Power Off

- DB15 Accessory Interface
- 8 Programmable I/O Ports
- Ignition Sense
- Public Address / Horn Alert Output
- MIL-Spec Standard Mic
- MIL-Spec 12-Key DTMF Mic Option
- Windows® Programming & Tuning
- Cloning
- MIL-STD-810 C/D/E/F/G
- IP-54 Water & Dust Intrusion

FleetSync® /II (FM)

- PTT ID Digital ANI
- Selective Call & Group Call
- Paging Call
- Status Messaging
- Emergency Status
- Input / Output Status Messages
- FleetSync® GPS Ready
- Send GPS PF Key
- PTT ID & Emergency GPS Reporting
- Ignition On/Off GPS Reporting

MDC-1200

- PTT ID Digital ANI
- Emergency Status
- Radio Check
- Radio Inhibit

| MODEL | | LIST |
|--------------|--|-------------|
| TK-7302HVK | 136-174 MHz 50W, 16 CH / 2 Zone Conventional | 350.00 |
| TK-8302HUK | 450-520 MHz 45W, 16 CH / 2 Zone Conventional | 367.00 |

| MOBILE INSTALLATION ACCESSORIES | | LIST |
|--|---|-------------|
| KCT-60M | DB15-to-15pin Molex Adapter Cable | 29.00 |
| KCT-18 | Ignition sense cable (requires KCT-60M Acc. Cable Option) | 13.70 |
| KCT-36 | Extension Cable for KCT-34/35/39/40M/60M; 117.6 inches (9.8 ft) | 43.75 |
| KLF-2 | Line Filter (suppresses alternator whine, 25dB, 25A max). | 42.00 |
| KMB-10 | Key lock adapter | 26.30 |

| CONTROL STATION INSTALLATION ACCESSORIES | | LIST |
|---|---|-------------|
| KMC-9C | Control Station Desktop Microphone (8-pin mod. plug) | 86.00 |
| KMB-24 | Control Station Mounting Case for KPS-15 Power Supplies (mobile mounting hardware included) | 42.00 |
| KPS-15 | DC Switching Power Supply (117/230 VAC; 23A max. continuous, 25A peak) | 173.00 |

| | |
|---------------------------------|-------------|
| MICROPHONES AND SPEAKERS | LIST |
|---------------------------------|-------------|

| | | |
|--------|---|-------|
| KMC-35 | MIL-SPEC Standard electret mobile microphone (8-pin mod. plug) - same as supplied | 52.50 |
| KMC-36 | MIL-SPEC Standard electret mobile microphone with 12-key DTMF (8-pin mod. plug) | 94.50 |
| KMC-9C | Control Station Desktop Microphone (8-pin mod. plug) | 86.00 |
| KES-3 | External speaker (compact low profile; black case; 3.5 mm phono plug-in) | 44.25 |
| KES-5 | External speaker, 40W max input Note: requires KCT-60M installed | 61.25 |

| | |
|-----------------------|-------------|
| FleetSync® AVL | LIST |
|-----------------------|-------------|

| | | |
|-----------|--|--------|
| GPS15XL-W | Garmin Internal GPS Receiver Board for FleetSync® AVL Note: • Conventional operation only • Requires GA25 MCX GPS antenna • Refer to www.garmin.com for GPS-15L-W technical specifications. • Option: Order L-1643 for Kenwood Long Beach installation | 130.25 |
| GA25MCX | Garmin On-dash Style Magnetic base GPS Antenna for GPS15XL-W Note: shipped loose only; Install GA25MCX antenna to GPS15XL-W before vehicle install. | 62.00 |

| | |
|------------------------------------|-------------|
| SERVICE RELATED ACCESSORIES | LIST |
|------------------------------------|-------------|

| | | |
|-------------|--|--------|
| KPG-46UM | USB Programming interface cable | 158.50 |
| KPG-124DNK | Windows® Programming Software for TK-7302/8302 (Compliant with FCC Part 90 Narrowbanding) | 103.25 |
| ***** | Contact Kenwood Parts for Price and Availability 800-367-7514 on the following: | |
| E30-3382-05 | Clone cable | --- |
| J29-0662-03 | Mounting bracket - same as supplied w/ radio (order N99-2039-05 for mounting screw set) | --- |

| | |
|--------------------------------------|-------------|
| INSTALLATION / TUNING CHARGES | LIST |
|--------------------------------------|-------------|

| | | |
|--------|--|--------|
| L-1642 | TK-7302/8302 Programming (with basic TX/RX check) | 37.50 |
| L-1643 | Install Garmin GPS15XL-W in 302-Series mobile for FleetSync® AVL | 100.00 |

TK-6110
Compact Low Band Mobile Radio



All 6110 series mobiles include:

- Standard Microphone (KMC-27B)
- Mounting Bracket
- DC Cable (KCT-23M)
- Instruction Manual
- Standard Warranty: 2 Years*

* All Accessories / options: 1 Year

GENERAL FEATURES

- 70 W (29.7-37.0, 35.0-50.0 MHz)
- 32 Channels
- Single Priority Scan
- 8 Character Alphanumeric LCD
- 3 Digit Sub-Display and Icons
- Transmit / Busy / Call Allert / Warn LED
- Up/Down Channel Selector
- Volume Knob
- Power On/Off Button
- 7 Programmable Radio Keys
- Front Panel Speaker
- Noise Blanker Function
- Encryption / ANI Board Control
- Emergency Call Features
- QT/DQT Encode & Decode
- Operator Selectable Tone
- Two Tone Decode
- DTMF Encode & Decode
- Time Out Timer
- Busy Channel Lockout
- 15 Pin Accessory Connector
- MIL-Spec / Noise-Cancel Microphone
- M-Type Antenna Connector
- Ignition Sense
- Timed Power Off
- Horn Alert
- Cloning
- PC Programming & Tuning
- MIL-STD-810 C/ D/ E

IMPORTANT NOTICE [Power/Bandwidth vs. VSWR]

1. The TK-6110 mobiles output power will be significantly reduced with VSWR = 1.5 or greater.
 TK-6110 Output Power Performance (nominal; transmission line losses not included)

| <u>VSWR</u> | <u>Output Power</u> |
|---------------|---------------------|
| 1.2 or less | 70W or more |
| 1.3-1.5 | 60W or more |
| More than 1.5 | 60W or less |

TK-6110K

| Frequency | Bandwidth |
|-----------|---------------------|
| 29.7MHz | 0.4MHz (+/-0.20MHz) |
| 33.0MHz | 0.4MHz (+/-0.20MHz) |
| 37.0MHz | 1.0MHz (+/-0.50MHz) |

TK-6110K2

| Frequency | Bandwidth |
|-----------|--------------------|
| 35.0MHz | 1.0MHz (+/-0.5MHz) |
| 40.0MHz | 1.8MHz (+/-0.9MHz) |
| 50.0MHz | 1.8MHz (+/-0.9MHz) |

2. The TK-6110 design eliminates the need for the following accessories typical of Kenwood compact mobiles:

- a. KCT-19: 15-pin accessory connector is built in.
- b. KAP-1: the Horn Alert output is provided on the 15-pin connector (see service manual for maximum current rating).

Audio Power: 3W internal speaker / 10W external speaker (KES-5).

FleetSync® is not available for the TK-6110.

KES-3 is not compatible, use KES-5.

The following frequencies are not allowed in the TK-190 and TK-6110 models: 33.6 MHz and 42.0 MHz.

| MODEL | | LIST |
|--------------|---|-------------|
| TK-6110K | VHF Low Band 29.7 – 37.0 MHz 70W, 32 Channels | 788.00 |
| TK-6110K2 | VHF Low Band 35.0 – 50.0 MHz 70W, 32 Channels | 788.00 |

| CABLES | | LIST |
|---------------|----------------------|-------------|
| KCT-18 | Ignition sense cable | 13.70 |

| MOBILE INSTALLATION ACCESSORIES | | LIST |
|--|---|-------------|
| KLF-2 | Line Filter (suppresses alternator whine, 25dB, 25A max). | 42.00 |

| MICROPHONES AND SPEAKERS | | LIST |
|---------------------------------|--|-------------|
| KMC-27A | MIL-SPEC & Noise Canceling dynamic mobile microphone (8-pin mod. plug) | 104.00 |
| KMC-27B | Standard dynamic mobile microphone (8-pin mod. plug) | 42.00 |
| KMC-28A | MIL-SPEC & Noise Canceling dynamic mobile microphone (8-pin mod. plug) w/ DTMF | 163.00 |
| KMC-9C | Control Station Desktop Microphone (8-pin mod. plug) | 86.00 |
| KES-5 | Ext. speaker, 40W max input; blk., case, 5"x5"x2-9/16" Note: plugs into TK-6110 6-pin molex acc. conn. | 61.25 |

| MISCELLANEOUS ITEMS | | LIST |
|----------------------------|--|-------------|
| KPS-15 | DC Switching Power Supply (117/230 VAC; 23A max. continuous, 25A peak) | 173.00 |

| SERVICE RELATED ACCESSORIES | | LIST |
|------------------------------------|--|-------------|
| KPG-46UM | USB Programming interface cable | 158.50 |
| KPG-59DK | Program Software for TK-190/6110 (Version 2.00) | 68.50 |
| ***** | Contact Kenwood Parts for Price and Availability 800-367-7514 on the following: | |
| E30-3382-05 | Clone cable | --- |
| J29-0662-03 | Mounting bracket (Same as supplied) | --- |
| N99-0395-05 | Screw set for mounting bracket Part #J29-0662-03 | --- |

| INSTALLATION / TUNING CHARGES | | LIST |
|--------------------------------------|---|-------------|
| L-911 | TK-190/TK-6110 Programming (with basic TX/RX check) | 25.00 |